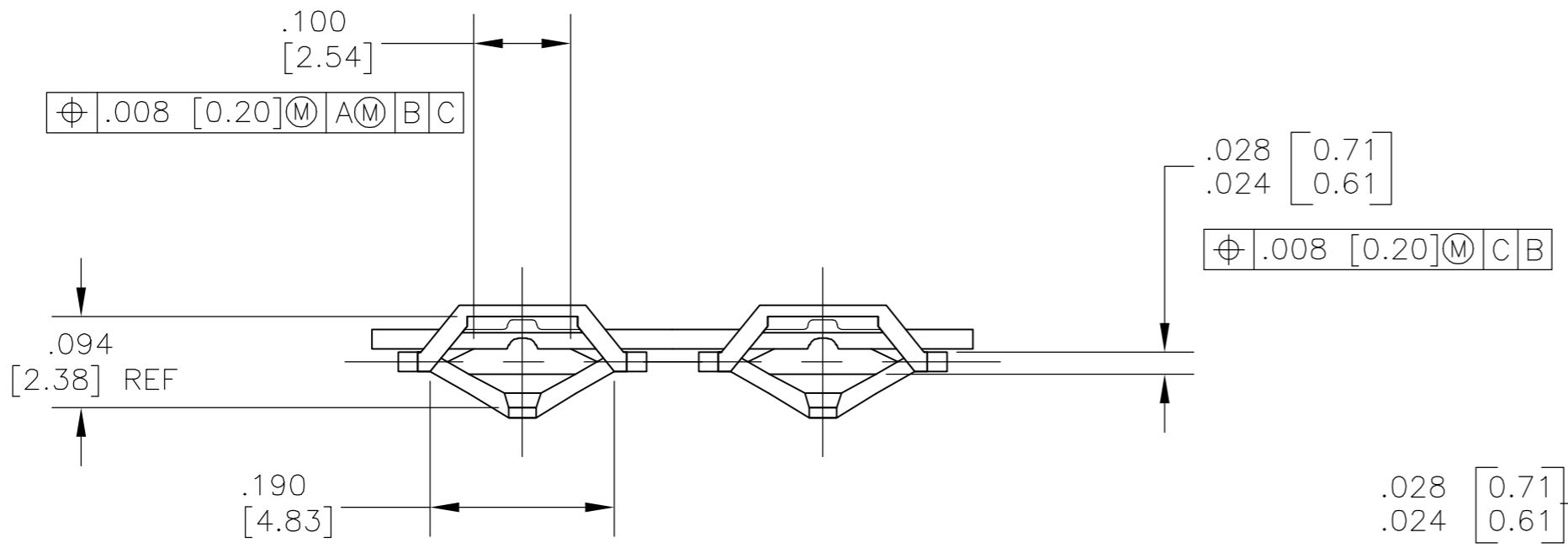
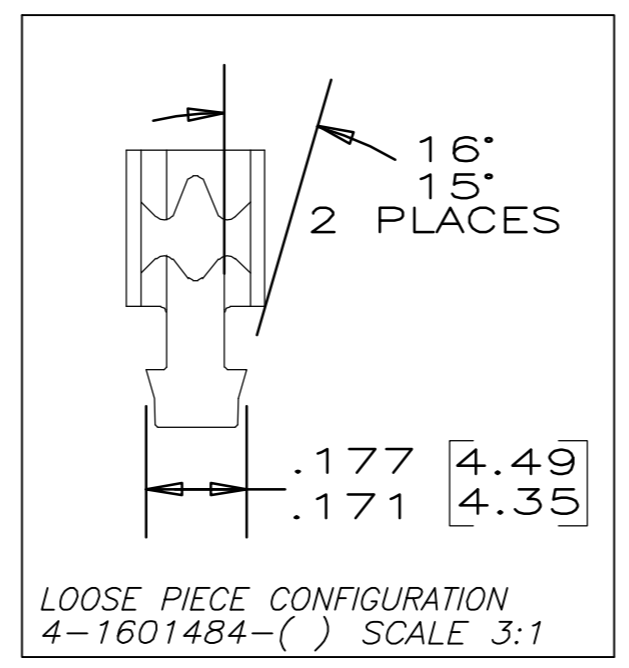
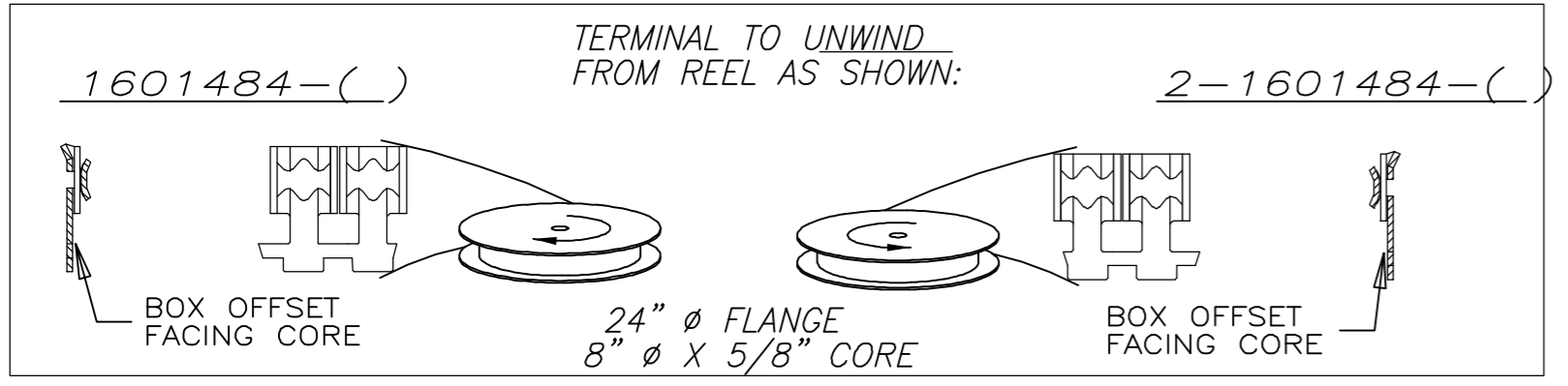
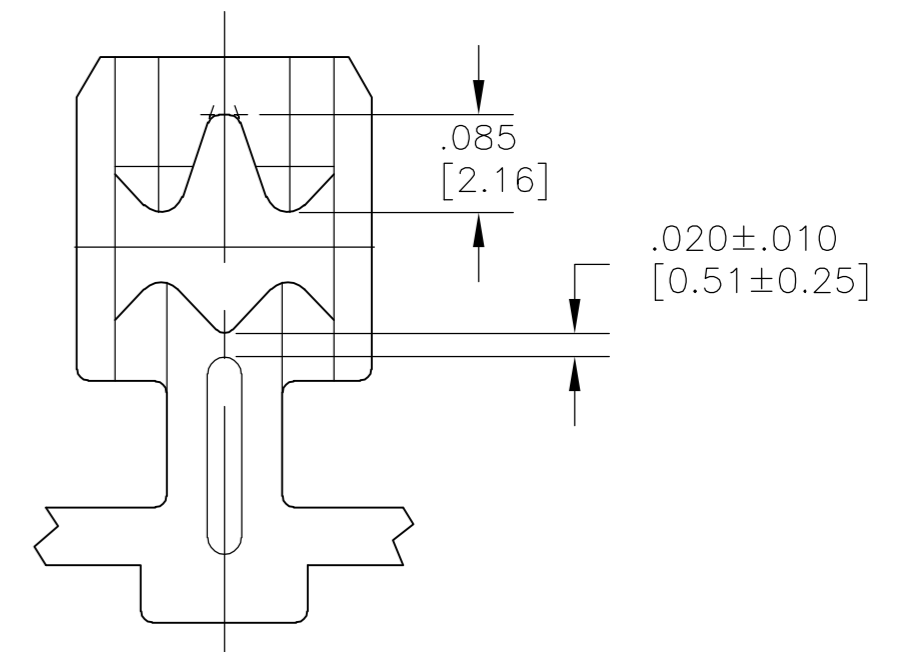
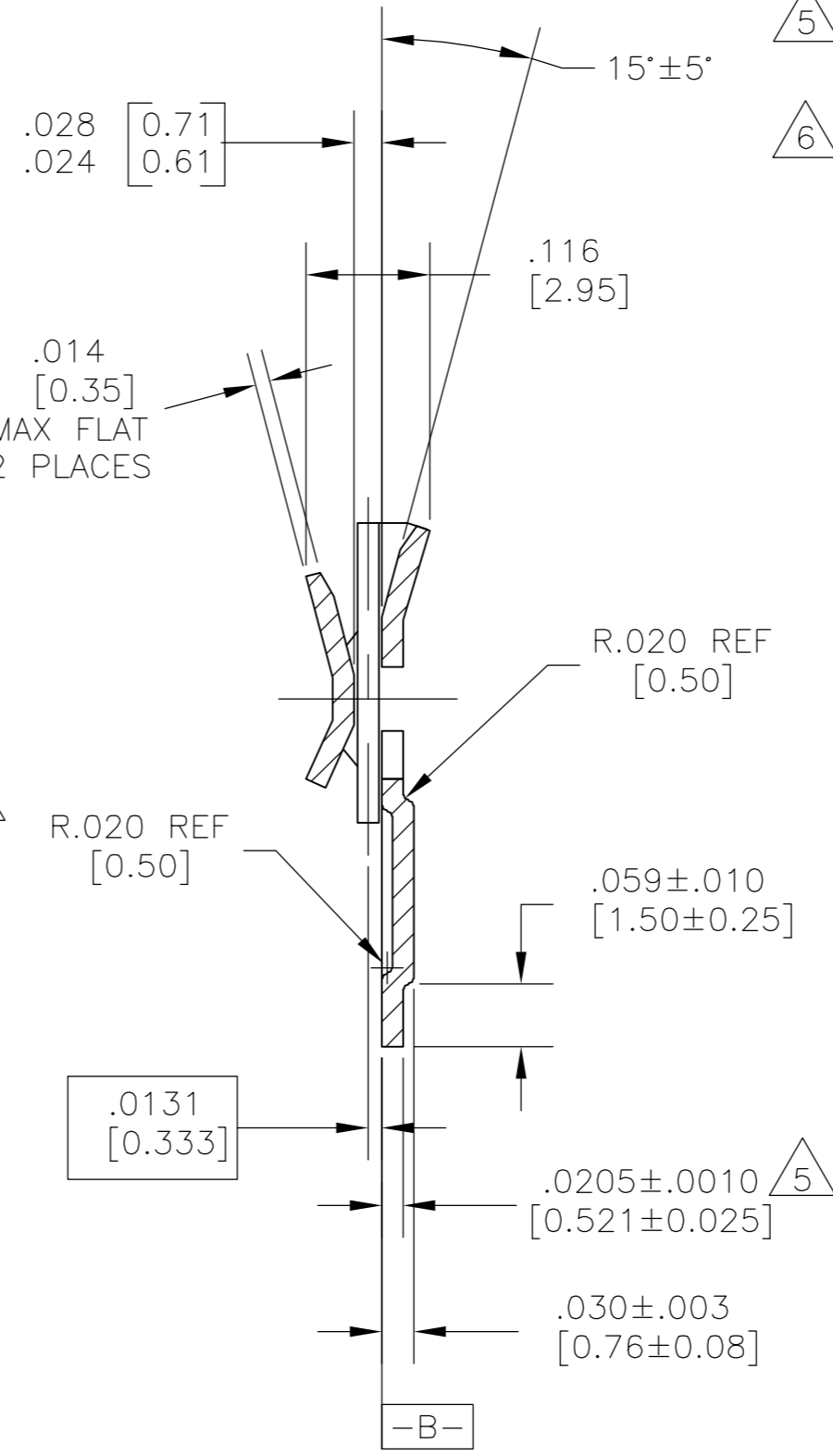
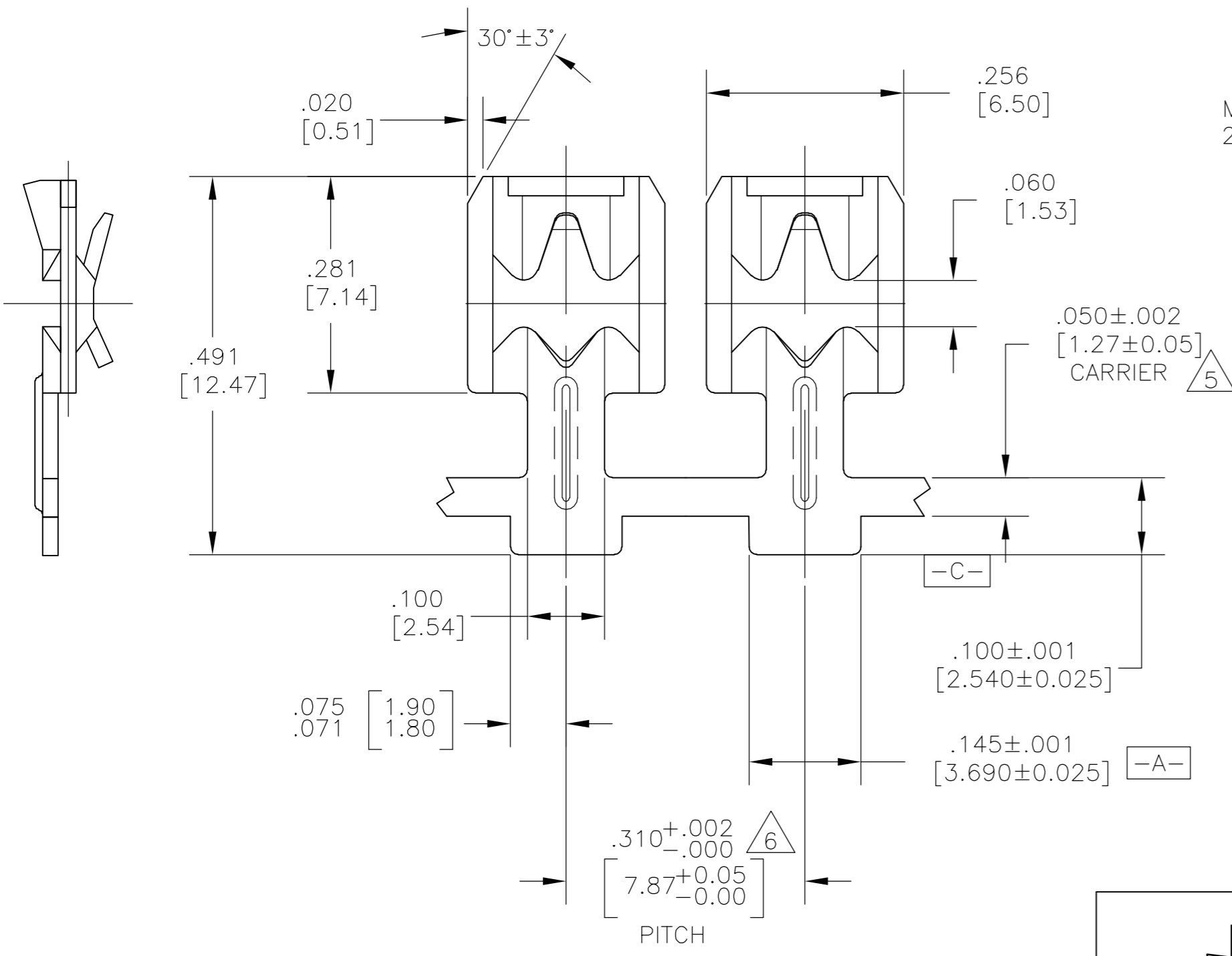


THIS DRAWING IS UNPUBLISHED. RELEASED FOR PUBLICATION
 © COPYRIGHT BY TYCO ELECTRONICS CORPORATION. ALL RIGHTS RESERVED.

LOC		DIST		REVISIONS			
P	LTR	DESCRIPTION		DATE	DWN	APVD	
	B2	REV PER ECR 07-002947		14MAR07	JR	KR	



- 1 SPECIFICATION: TAB BLADE 2mm X 0.8mm OTHER SIZES MAY BE ACCOMMODATED, CONSULT TYCO ELECTRONICS FOR APPROVAL.
- 2 POCKET RECOMMENDATION: 1601441.
- 3 TERMINALS SUPPLIED ON REELS CAN BE SUPPLIED LOOSE PIECE.
- 4 \triangle .000080-.000150 [0.002032-0.00381] POST-TIN PLATE OVER .000050-.000100 [0.00127-0.00254] NICKEL UNDERPLATE.
- 5 \triangle CARRIER STRIP THICKNESS OVER THREE TERMINALS INCLUSIVE NOT TO EXCEED .024 [0.61] MAX.
- 6 \triangle NON-ACCUMULATING TOLERANCE. PITCH OVER 10 GAPS TO BE $3.103+.003/-0.000$ [78.816+0.076/-0.000] MEASURED AT CARRIER STRIP.



THIS DRAWING IS A CONTROLLED DOCUMENT.		DWN 28JUL2005 MICHAEL S. FEHER		MATERIAL H02 C510 PHOSPHOR BRONZE		REELING MASONITE		FINISH $\triangle 5$		PART NUMBER 1601484-1	
DIMENSIONS: INCHES		TOLERANCES UNLESS OTHERWISE SPECIFIED:		CHK 01SEP2005 KURT A. RANDOLPH		APVD 01SEP2005 KURT A. RANDOLPH		NAME Tyco Electronics Corporation Harrisburg, PA 17105-3608		RESTRICTED TO	
0 PLC ± -		1 PLC ± -		2 PLC ± .01[0.25]		3 PLC ± .005[0.13]		4 PLC ± -		ANGLES ± 2°	
MATERIAL SEE TABLE		FINISH SEE TABLE		WEIGHT -		SIZE A2		CAGE CODE 00779		DRAWING NO C=1601484	
				CUSTOMER DRAWING		SCALE 6:1		SHEET 1 of 1		REV B2	