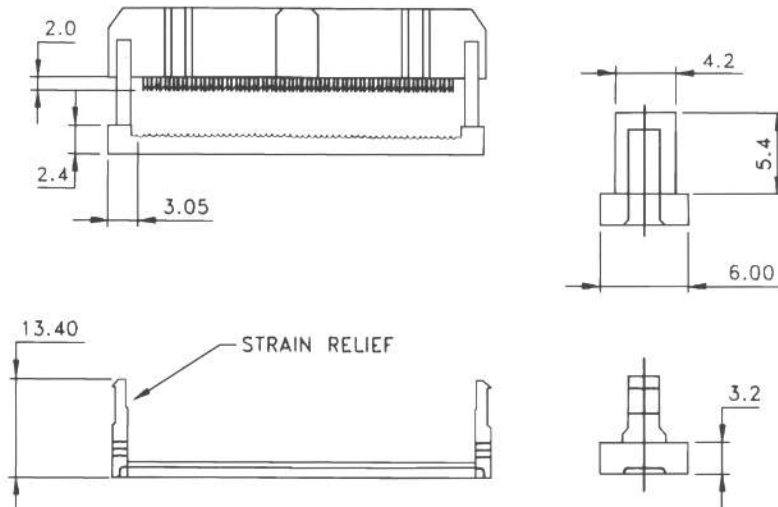
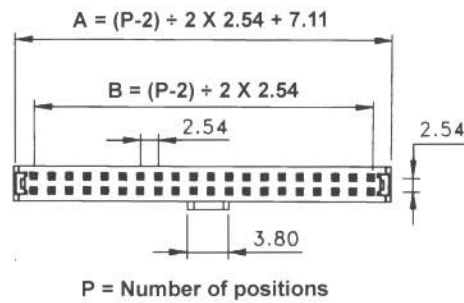
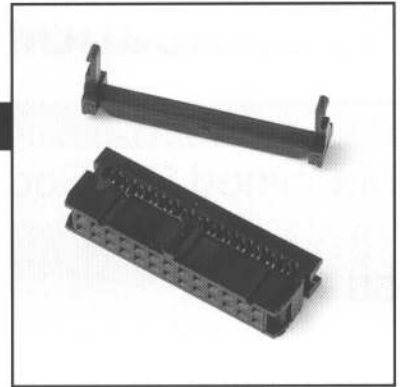


# Series: 101

## IDC Socket 2.54mm

❖ Positions:

10, 14, 16, 20, 24, 26, 30, 34, 40, 50, 60, 64



Ordering example: **101 - 40 6 - N**

# Specifications

## IDC Socket 2.54mm Series:

**101**

**Ratings:**

Current	1A DC
Voltage	250 VAC
Contact resistance	30mΩ MAX. at 6V DC 0.3A
Insulation resistance	1000MΩ MIN. at 500V DC
Dielectric strength	500 VAC for 1 minute

**Material:**

Plastic	PBT Glass-filled, UL94V-0
Color	Black
Contact	Phosphor Bronze, Gold flash over Nickel

### ORDERING PROCEDURE

    1     -     2              3     -     4    

- 1) Series
- 2) Number of Positions (see series page for available positions)

- 3) Plating:
  - 1 = Full Gold Flash
  - 6 = Selective Gold Flash
  - 7 = Selective 10μ Gold\*
  - 8 = Selective 30μ Gold\*
  - \* May require minimums

- 4) Options:
  - N = Non-Polarized
  - S = Strain Relief
  - W = Without Strain Relief

Please refer to following page for ordering example.