

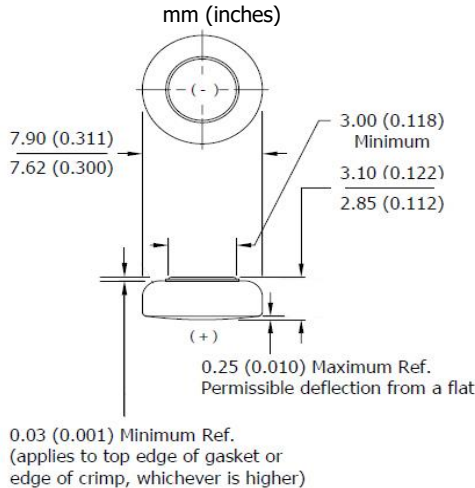
# ENERGIZER 329

**ZERO**MERCURY<sup>®</sup>

**SILVER OXIDE**



## Industry Standard Dimensions



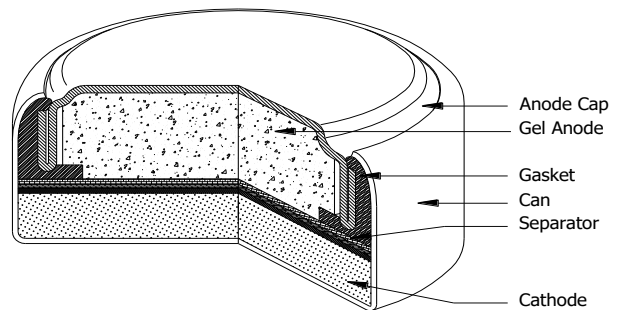
DESIGNED FOR USE ON CONTINUOUS LOW DRAIN

## Specifications

<b>Chemical System:</b>	Silver Oxide (Zn/Ag <sub>2</sub> O)
<b>Nominal Voltage:</b>	1.55 Volts
<b>Typical Capacity:</b>	39 mAh* (to 1.2 volts)
<b>Capacity Test:</b>	22K ohm continuous drain at 21°C
<b>Typical Weight:</b>	0.57 grams (0.02 oz.)
<b>Typical Volume:</b>	0.15 cubic centimeters (0.009 cubic inch)
<b>Impedance (40 Hz):</b>	55 to 65 ohms

\* Varies according to the applied load, temperature, and cutoff voltage.

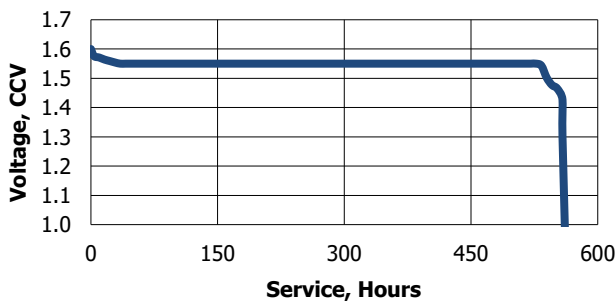
## Cross Section



## Typical Discharge Characteristics

Typical Performance at 21°C (70°F)

**Schedule:** Continuous  
**Typical Drain @1.55V:**  
 0.070 milliamperes  
**Load:** 22K ohm

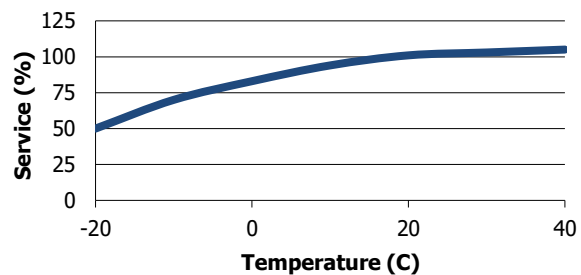


<u>Schedule</u>	<u>Typical Drains</u> at 1.55V (milliamperes)	<u>Load</u> (ohm)	<u>Cutoff</u> 1.2V (hours)
Continuous	0.070	22K	554

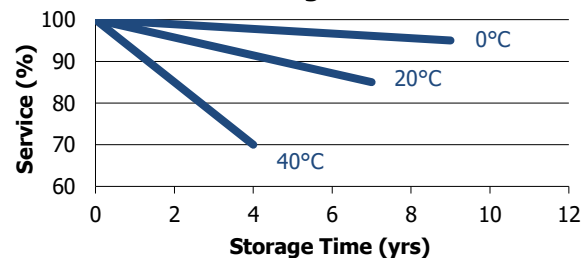
## Temperature Characteristics

Typical Performance at Low Discharge Rates

### Service Effects



### Storage Effects



## Important Notice

This datasheet contains typical information specific to products manufactured at the time of its publication.  
**Contents herein do not constitute a warranty and are for reference only.**