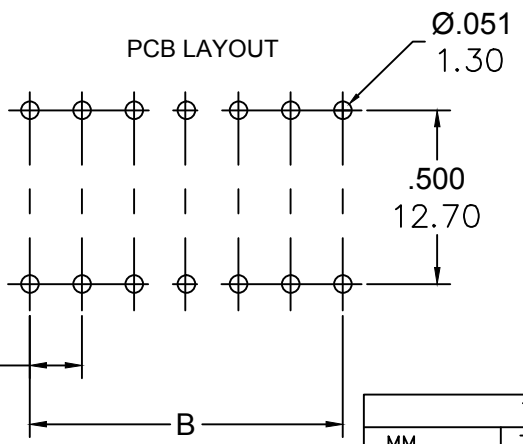
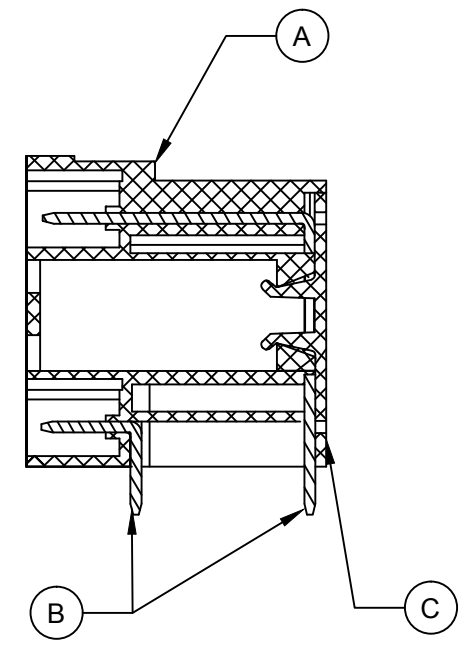
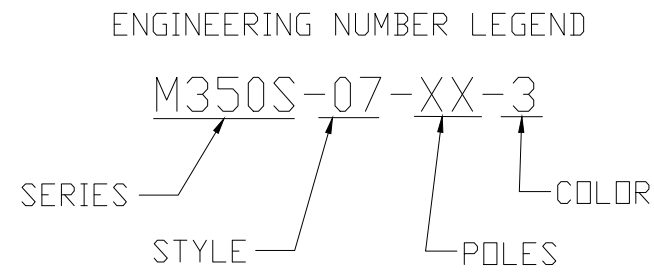


PART NUMBER DATA							
CIRCUITS	PART NUMBER	ENGINEERING NUMBER	COLOR	A IN mm		B IN mm	
2	397200002	M350S-07-02-3	GREEN	.35	9.0	.150	3.81
3	397200003	M350S-07-03-3	GREEN	.50	12.8	.300	7.62
4	397200004	M350S-07-04-3	GREEN	.65	16.6	.450	11.43
5	397200005	M350S-07-05-3	GREEN	.80	20.4	.600	15.24
6	397200006	M350S-07-06-3	GREEN	.95	24.2	.750	19.05
7	397200007	M350S-07-07-3	GREEN	1.10	28.1	.900	22.86
8	397200008	M350S-07-08-3	GREEN	1.25	31.9	1.050	26.67
9	397200009	M350S-07-09-3	GREEN	1.40	35.7	1.200	30.48
10	397200010	M350S-07-10-3	GREEN	1.55	39.5	1.350	34.29
11	397200011	M350S-07-11-3	GREEN	1.70	43.3	1.500	38.10
12	397200012	M350S-07-12-3	GREEN	1.85	47.1	1.650	41.91
13	397200013	M350S-07-13-3	GREEN	2.00	50.9	1.800	45.72
14	397200014	M350S-07-14-3	GREEN	2.15	54.7	1.950	49.53
15	397200015	M350S-07-15-3	GREEN	2.30	58.5	2.100	53.34
16	397200016	M350S-07-16-3	GREEN	2.45	62.3	2.250	57.15
17	397200017	M350S-07-17-3	GREEN	2.60	66.2	2.400	60.96
18	397200018	M350S-07-18-3	GREEN	2.75	70.0	2.550	64.77
19	397200019	M350S-07-19-3	GREEN	2.90	73.8	2.700	68.58
20	397200020	M350S-07-20-3	GREEN	3.05	77.6	2.850	72.39



TOLERANCES			
MM	TOL	INCH	TOL
0-6	±0.25	0-.24	±.010
>6-30	±0.40	.24-1.18	±.016
>30-120	±0.50	1.18-4.76	±.020
>120	±0.80	>4.76	±.031

REF. LAST 2 DIGITS OF PART NUMBER EQUALS NUMBER OF POLES



** CONTACT FACTORY FOR ADDITIONAL LENGTHS AND COLORS NOT SHOWN

SPECIFICATIONS

- MATERIAL:
 - A BODY: PA66, UL 94V-0
 - B TERMINALS: BRASS, TIN PLATED
 - C COVER: PA66, UL 94V-0
- RATING: 300V, 8A
- INSULATION RESISTANCE: DC 500V, 500MΩ.
- DIELECTRIC WITHSTAND: AC 2500V / 1 MINUTE
- OPERATING TEMPERATURE: -40°C TO +105°C
- MAX SOLDERING TEMPERATURE: +260°C FOR 5 SEC.
- MATES WITH TERMINAL PLUG SERIES: 39510, 39513
- DIMS SHOWN ARE FOR REFERENCE ONLY

REVISED DOC TOL EC NO: IPG2017-0881 DRWN: ABENJAMI CHKD: --- APPR: BRUPERT 2014/10/16	4/6/17 DESCRIPTION REV	QUALITY SYMBOLS	GENERAL TOLERANCES (UNLESS SPECIFIED) mm INCH 4 PLACES ±--- ±--- 3 PLACES ±--- ±--- 2 PLACES ±--- ±--- 1 PLACE ±--- ±--- ANGULAR ±---° DRAFT WHERE APPLICABLE MUST REMAIN WITHIN DIMENSIONS	DIMENSION STYLE	SCALE	DESIGN UNITS	THIRD ANGLE PROJECTION
		IN/MM		---	METRIC	TITLE 3.81MM EURO HEADER RIGHT ANGLE DUAL ROW	
		DRAWN BY DATE RSTONE 2014/01/14 CHECKED BY DATE G FARNSW --- APPROVED BY DATE JFMURPHY 2014/10/16		MOLEX INCORPORATED SD-39720-001		SHEET NO. 1 OF 1	
		MATERIAL NO. SEE CHART SIZE B		THIS DRAWING CONTAINS INFORMATION THAT IS PROPRIETARY TO MOLEX INCORPORATED AND SHOULD NOT BE USED WITHOUT WRITTEN PERMISSION			