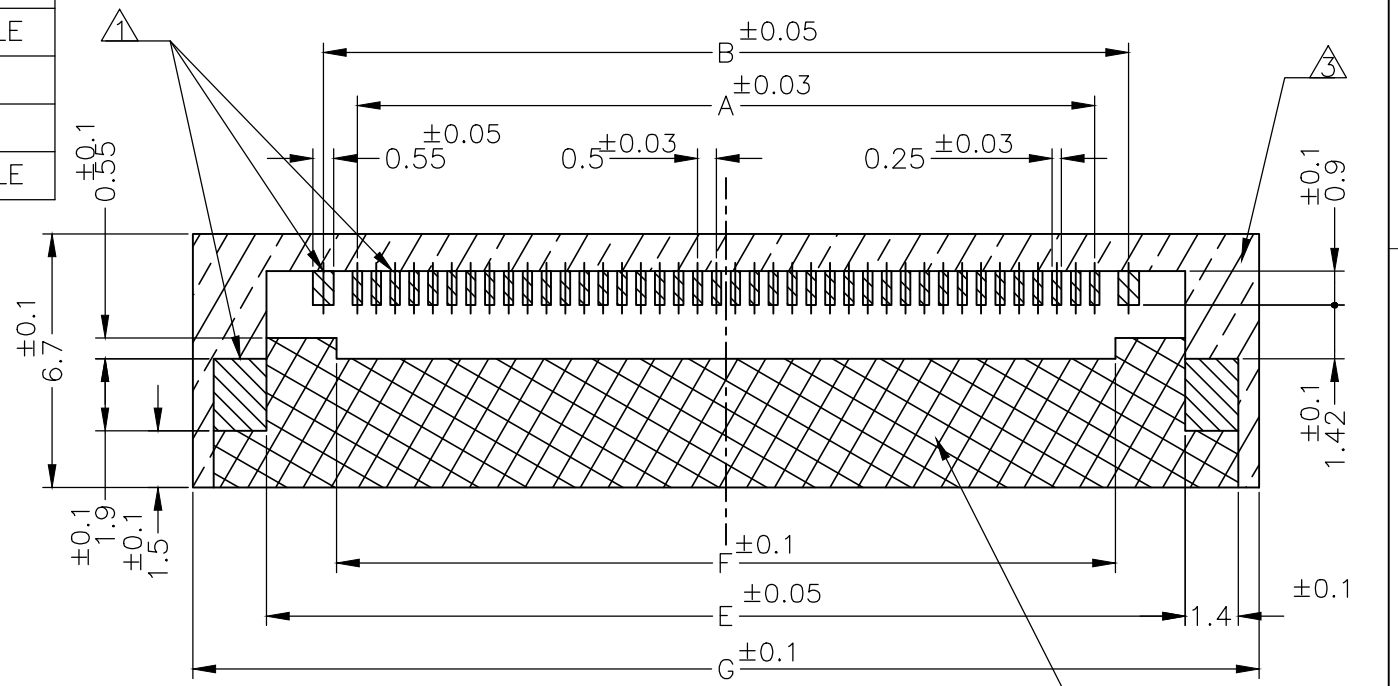
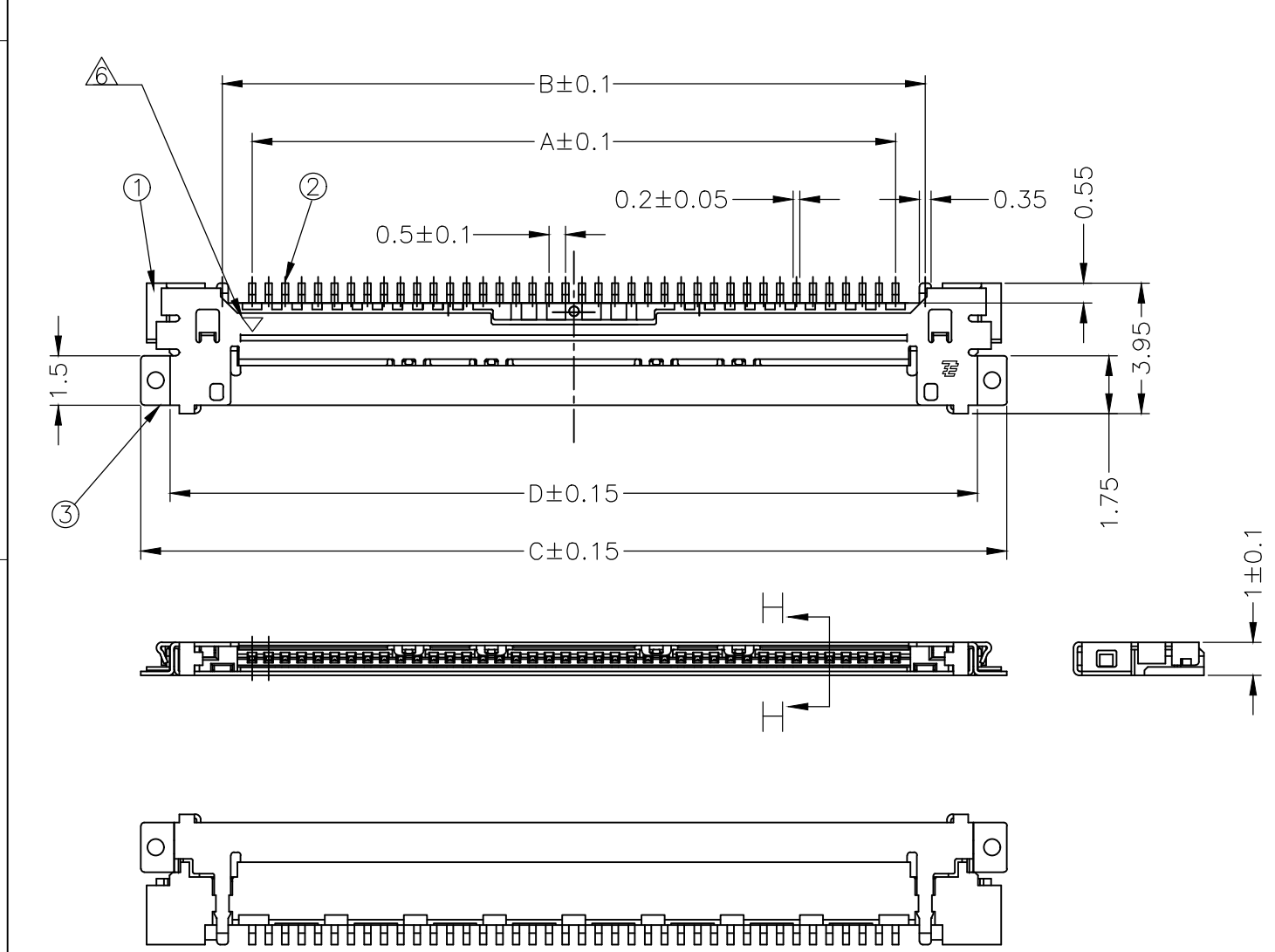


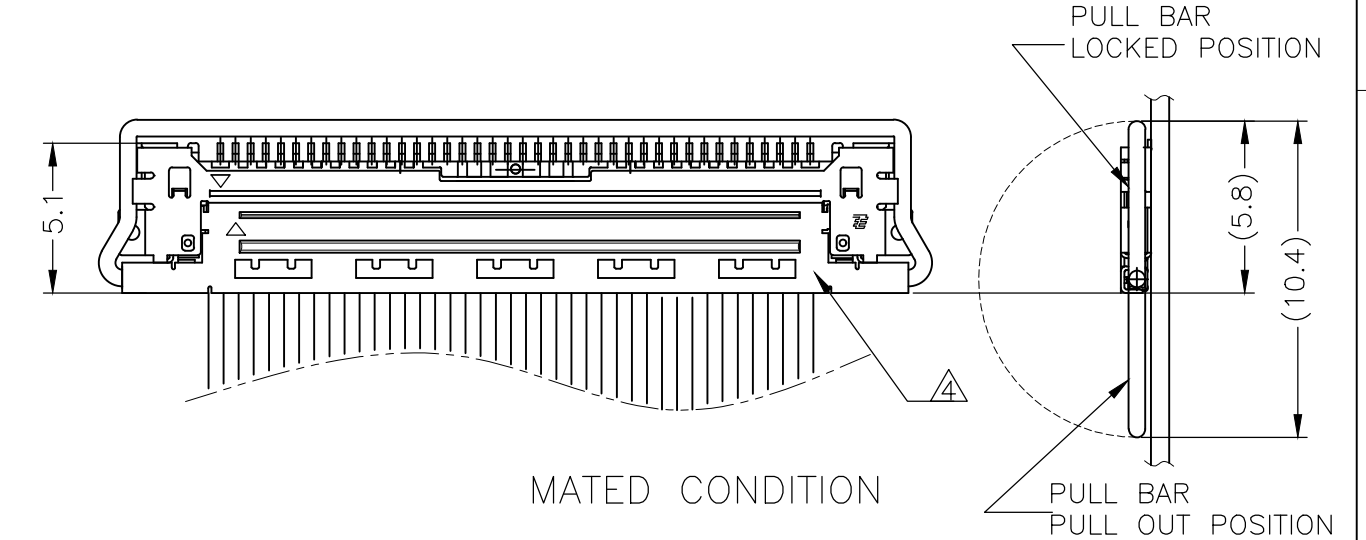
THIS DRAWING IS UNPUBLISHED.		RELEASED FOR PUBLICATION								
© COPYRIGHT - By -		ALL RIGHTS RESERVED.								
PART NO.	POS NO.	A	B	C	D	E	F	G	DATUM MARK	TOOLING STATUS
2069716-3	40	19.5	21.3	26.25	24.47	24.3	20.6	28.2	WITHOUT DATUM MARK	OBSOLETE
2069716-2	30	14.5	16.3	21.25	19.47	19.3	15.6	23.2		NOT AVAILABLE
2069716-1	20	9.5	11.3	16.25	14.47	14.3	10.6	18.2		NOT AVAILABLE
5-2069716-3	40	19.5	21.3	26.25	24.47	24.3	20.6	28.2	WITH DATUM MARK	OBSOLETE
5-2069716-2	30	14.5	16.3	21.25	19.47	19.3	15.6	23.2		OBSOLETE
5-2069716-1	20	9.5	11.3	16.25	14.47	14.3	10.6	18.2		NOT AVAILABLE

REVISIONS				
P	LTR	DESCRIPTION	DATE	APVD
	C	REVISED (ECO-19-000017)	14JAN2019	K.G W.H

5-2069716-3 AS SHOWN

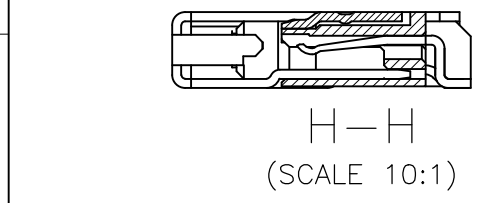


REFERENCE PWB LAYOUT

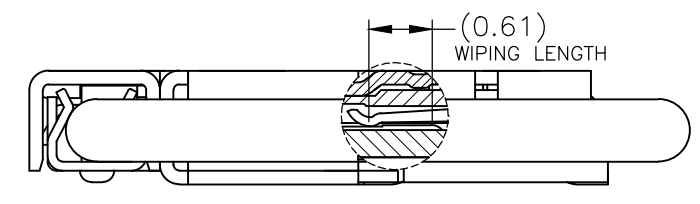


MATED CONDITION

③	SHELL	COPPER ALLOY, Au OVER Ni
②	CONTACT	COPPER ALLOY, Au OVER Ni
①	HOUSING	HIGH TEMP. THERMOPLASTIC, UL94V-0, BLACK
ITEM	PART NAME	MATERIAL & FINISH



H-H
(SCALE 10:1)



MATED CONDITION
(REFERENCE)

- SOLDERING AREA
- RESIST OR GND AREA
- PULL BAR MOVEMENT AREA
- THE CONNECTOR SHOULD BE PLUGGED WITH 2069715-3.
- 5. COPLANARITY 0.1MAX
- DATUM MARK
- 7. INSTRUCTION SHEET 411-78355

THIS DRAWING IS A CONTROLLED DOCUMENT.	
DIMENSIONS: mm	TOLERANCES UNLESS OTHERWISE SPECIFIED: 0 PLC ± - 1 PLC ± - ±0.2 2 PLC ± - ±0.2 3 PLC ± - ±2° 4 PLC ± - ± - ANGLES ± - FINISH
MATERIAL	FINISH

DWN Y.SHINO 18SEP2009	TE Connectivity LCD COAXIAL EMBEDDED DISPLAY INTERFACE (LCEDI) 0.5mm PITCH RECEPTACLE ASSEMBLY			
CHK S.KAJINUMA 18SEP2009				
APVD S.KAJINUMA 18SEP2009				
PRODUCT SPEC 108-78659 APPLICATION SPEC				
NAME	SIZE	CAGE CODE	DRAWING NO	RESTRICTED TO
	A3	00779	C-2069716	
CUSTOMER DRAWING		SCALE	SHEET	REV
		5:1	1 OF 2	C

THIS DRAWING IS UNPUBLISHED.

RELEASED FOR PUBLICATION

ALL RIGHTS RESERVED.

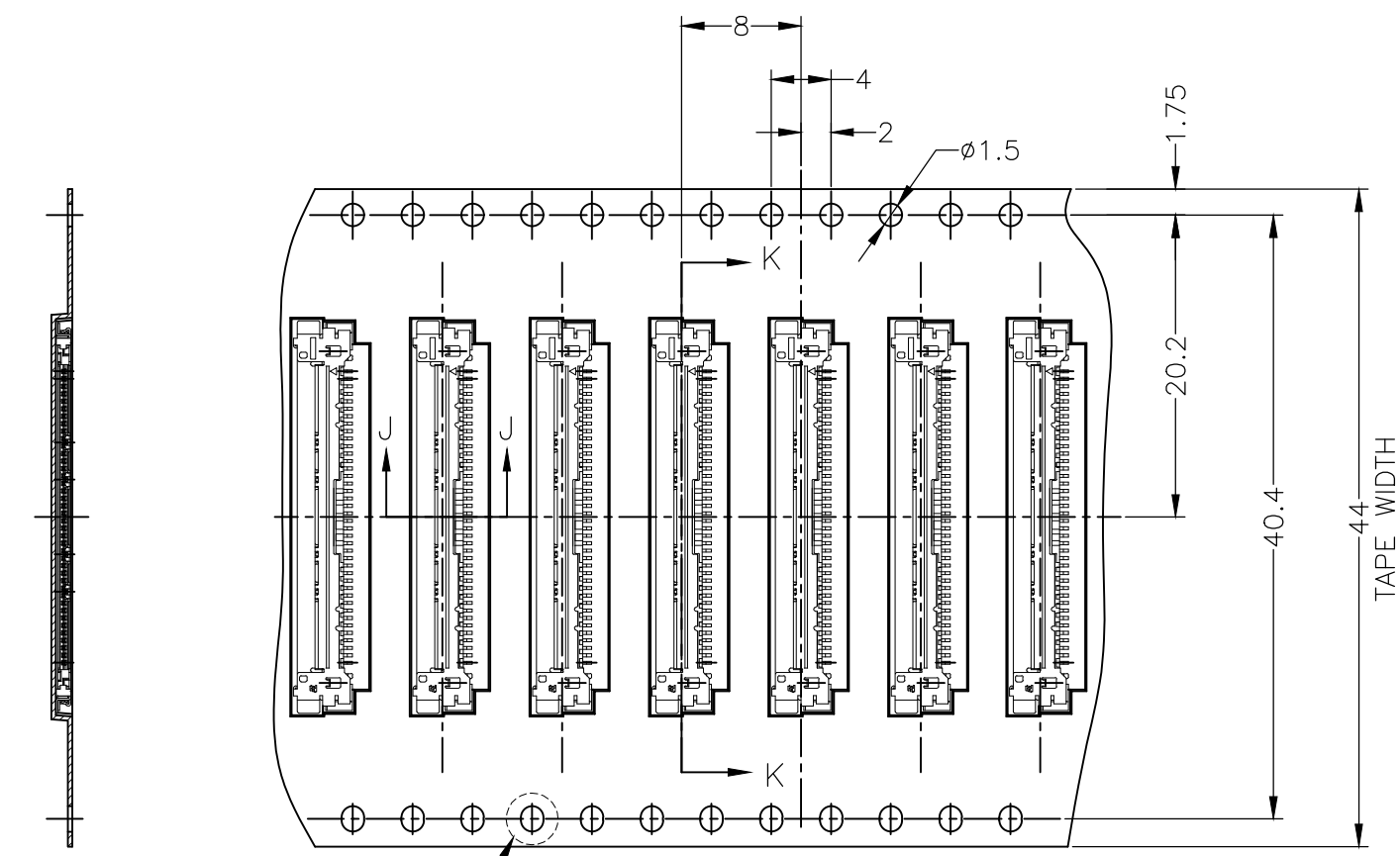
© COPYRIGHT - By -

REVISIONS

P	LTR	DESCRIPTION	DATE	DWN	APVD
-	-	SEE SHEET 1	-	-	-

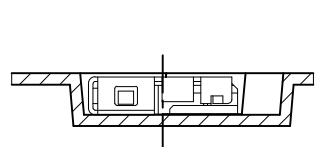
EMBOSS PACKING CONDITION

DIRECTION OF TOP OF REEL →

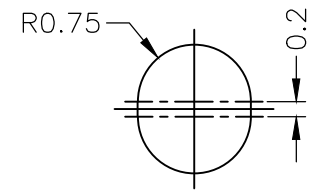


K-K

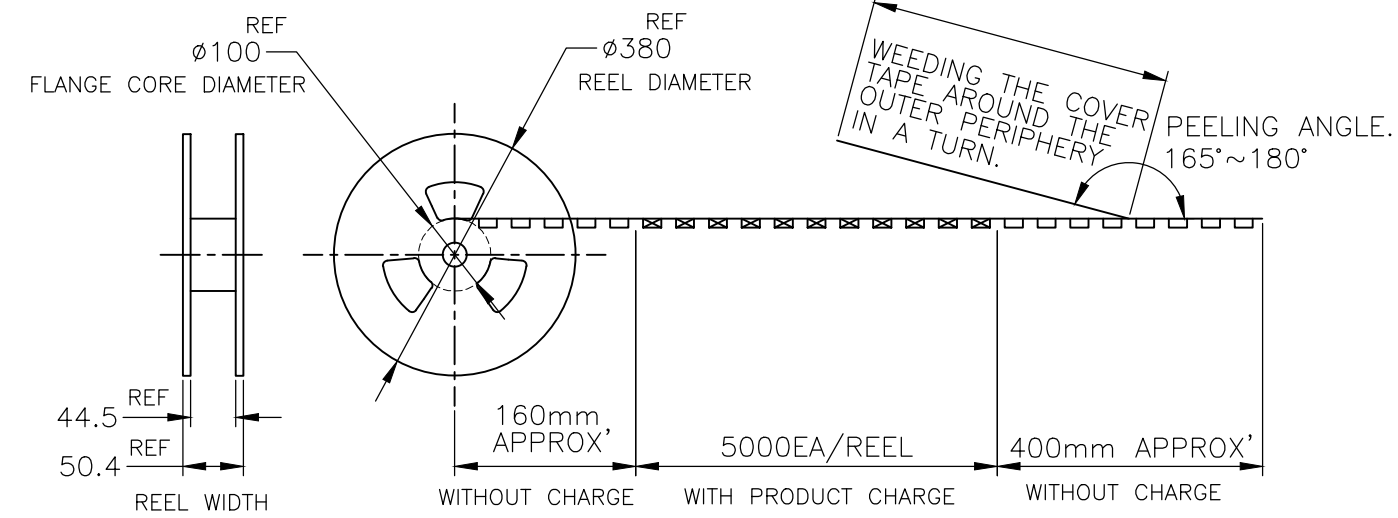
DETAIL L



J-J SCALE 5:1



DETAIL L SCALE 10:1



THIS DRAWING IS A CONTROLLED DOCUMENT.		DWN	-		
DIMENSIONS: mm		CHK	-		
TOLERANCES UNLESS OTHERWISE SPECIFIED:		APVD	-		
0 PLC ± 0.3		PRODUCT SPEC	-		
1 PLC ± 0.3		APPLICATION SPEC	-		
2 PLC ± 0.3		WEIGHT	-		
3 PLC ± 0.3		TE Connectivity			
4 PLC ± 0.3		NAME			
ANGLES ± °		LCD COAXIAL EMBEDDED DISPLAY INTERFACE (LCEDI) 0.5mm PITCH CONNECTOR RECEPTACLE ASSEMBLY			
FINISH		SIZE	CAGE CODE	DRAWING NO	RESTRICTED TO
-		A3	00779	C-2069716	-
MATERIAL		CUSTOMER DRAWING		SCALE	SHEET
-		-		2:1	2 of 2
-		-		REV	C