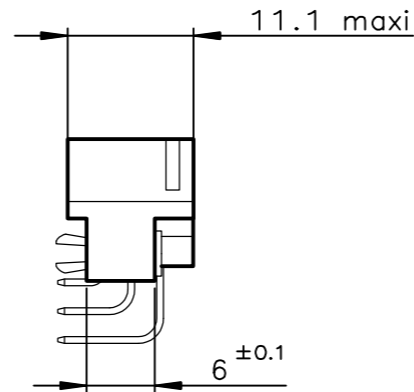
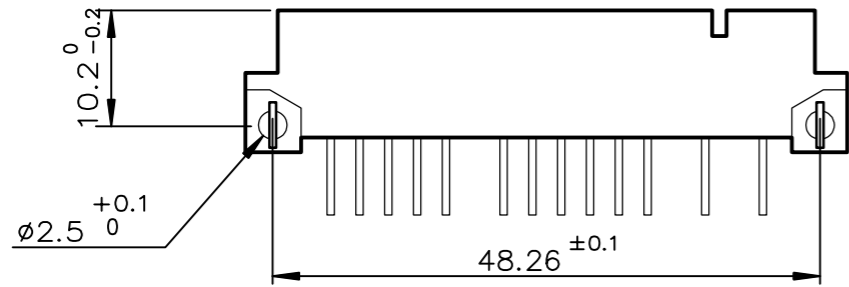
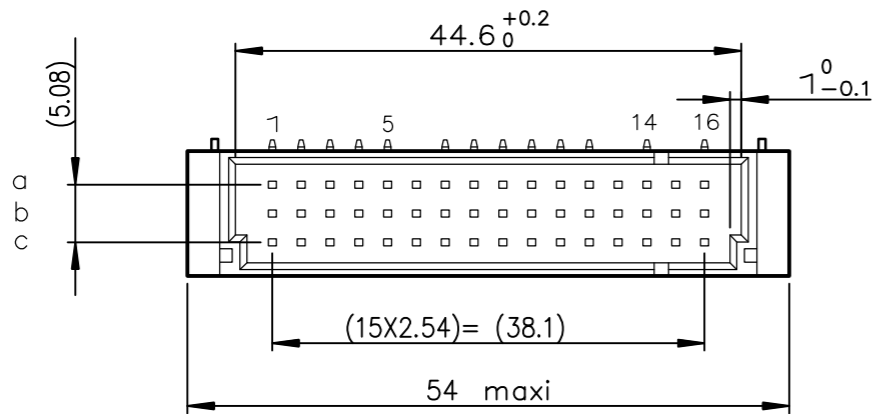
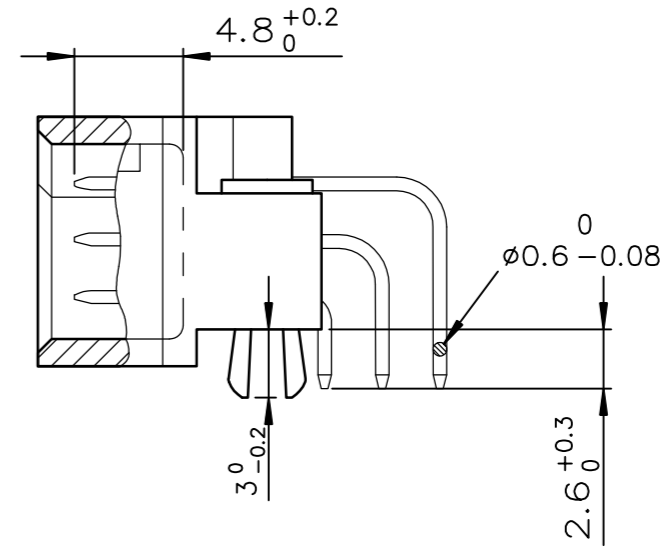


DIMENSIONS



TERMINATION



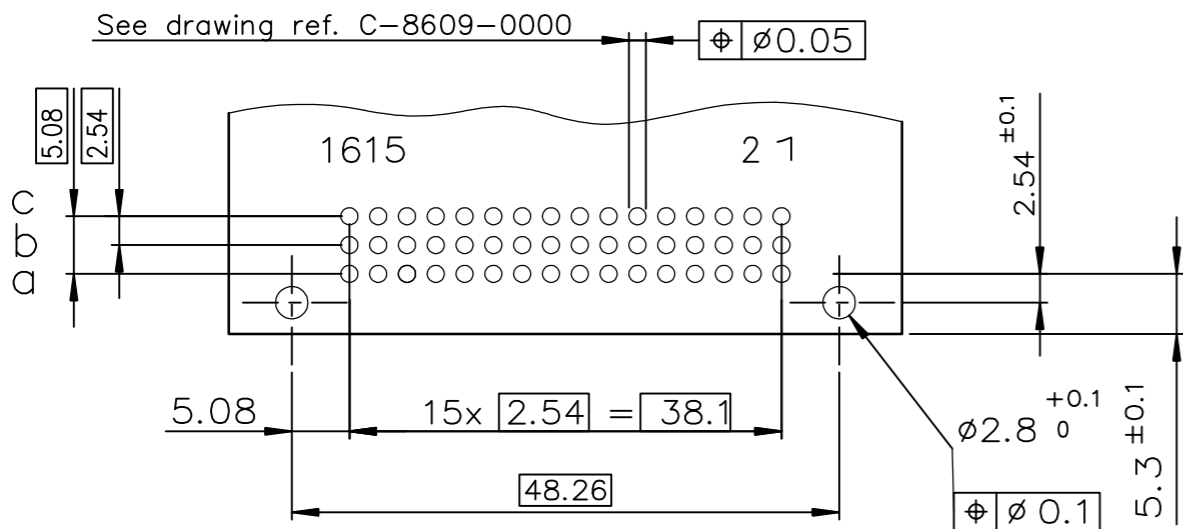
TIN LEAD PART NUMBER

PART NUMBER
86093397313H50867E1

LEAD FREE PART NUMBER

PART NUMBER
86093397313H50BYLF

P.C. CARD DRILLING (Component side view)



SPECIFICATION 867 = no contacts in position :
OR SPECIFICATION BY =row : a-b-c cavity : 6-13-15

GENERAL CHARACTERISTICS AND ROHS INFORMATIONS:
SEE DRAWING C-8609-0000A

European Views

www.fciconnect.com		surface ISO 1302 ✓	tolerance std ISO 406 ISO 1101	projection mm
TOLERANCES UNLESS OTHERWISE SPECIFIED				size A3
Dr	ROUILLARD	2001/11/16	ANGULAR	Scale 1.5
Eng	TARON	2001/11/16	LINEAR	ECN ELX-I-41744
Chr	M JACOB	2021/07/21	0.XX' ±2	Spec ref -
Appr	SANOJ	2021/07/21	Product family DIN 8609	
Amphenol FCI title STANDARD MALE 3 ROW C/2 39 CONTACTS			dwg no C-8609-1106	Rev. F
catalog no			CUSTOMER	sheet 1 of 1

rev	ecn no	dr	date
A	-	ROU	2001/11/20
B	LS05-001	JTA	2005/03/01
C	LS05-0101	LGO	2006/06/28
D	LS06-0095	LGO	2006/06/28
E	LS08-0036	HLE	2008/01/31
F	ELX-I-41744	MJA	2021/07/21