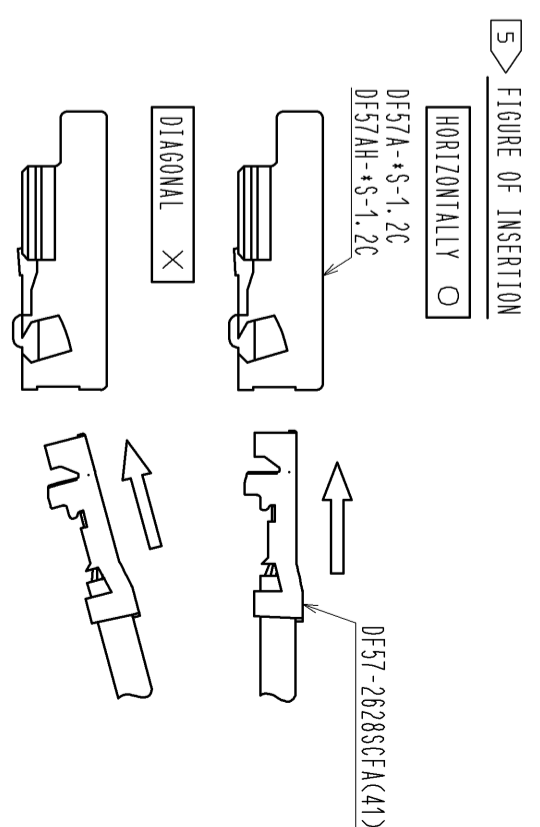
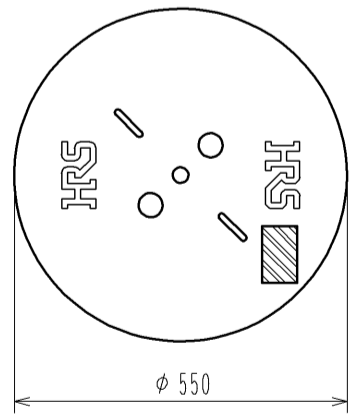


- NOTE 1. 1RL:35000 CONTACTS.
 2. STYLE OF REEL AND BOX SHOWS IN FIGURE.
 3. A MAXIMUM OF 5 REELS ARE PACKED UP IN ONE BOX.
 4. PLEASE BE SURE TO CHECK THE FORM OF CRIMPING USING A CABLE. WHEN YOU ADJUST APPLICATION.
 5. AVOID ANGLED INSERTION OF CRIMP CONTACT(DF57-2628SCFA(41)) TO MAINTAIN PERFORMANCE RELIABILITY.



2. STYLE AND DIMENSION OF REEL LABEL

DETAIL OF PART NO. LABEL



NO.	MATERIAL	FINISH	REMARKS	NO.	MATERIAL	FINISH	REMARKS
1	PHOSPHOR BRONZE			1	CONTACT AREA:GOLD PLATING 0.2μmMIN CARRIER AREA:TIN PLATING 1μmMIN UNDER AREA:NICKEL PLATING 2μmMIN		

UNITS	SCALE	COUNT	DESCRIPTION OF REVISIONS	DESIGNED	CHECKED	DATE
mm	20:1					

NO.	APPROVED	CHECKED	DESIGNED	DRAWN
	KI. AKIYAMA	HK. UMEHARA	TS. KUMAZAWA	MI. SAKIYURA

NO.	APPROVED	CHECKED	DESIGNED	DRAWN
	12.11.17	12.11.17	12.11.16	12.11.15

NO.	APPROVED	CHECKED	DESIGNED	DRAWN
	EDC3-342636-01	DF57-2628SCFA(41)	CL666-0033-0-41	

NO.	APPROVED	CHECKED	DESIGNED	DRAWN
	12.11.17	12.11.17	12.11.16	12.11.15

NO.	APPROVED	CHECKED	DESIGNED	DRAWN
	12.11.17	12.11.17	12.11.16	12.11.15

NO.	APPROVED	CHECKED	DESIGNED	DRAWN
	12.11.17	12.11.17	12.11.16	12.11.15

NO.	APPROVED	CHECKED	DESIGNED	DRAWN
	12.11.17	12.11.17	12.11.16	12.11.15

NO.	APPROVED	CHECKED	DESIGNED	DRAWN
	12.11.17	12.11.17	12.11.16	12.11.15

NO.	APPROVED	CHECKED	DESIGNED	DRAWN
	12.11.17	12.11.17	12.11.16	12.11.15

NO.	APPROVED	CHECKED	DESIGNED	DRAWN
	12.11.17	12.11.17	12.11.16	12.11.15

NO.	APPROVED	CHECKED	DESIGNED	DRAWN
	12.11.17	12.11.17	12.11.16	12.11.15

NO.	APPROVED	CHECKED	DESIGNED	DRAWN
	12.11.17	12.11.17	12.11.16	12.11.15

NO.	APPROVED	CHECKED	DESIGNED	DRAWN
	12.11.17	12.11.17	12.11.16	12.11.15

NO.	APPROVED	CHECKED	DESIGNED	DRAWN
	12.11.17	12.11.17	12.11.16	12.11.15

NO.	APPROVED	CHECKED	DESIGNED	DRAWN
	12.11.17	12.11.17	12.11.16	12.11.15

NO.	APPROVED	CHECKED	DESIGNED	DRAWN
	12.11.17	12.11.17	12.11.16	12.11.15

NO.	APPROVED	CHECKED	DESIGNED	DRAWN
	12.11.17	12.11.17	12.11.16	12.11.15

NO.	APPROVED	CHECKED	DESIGNED	DRAWN
	12.11.17	12.11.17	12.11.16	12.11.15

NO.	APPROVED	CHECKED	DESIGNED	DRAWN
	12.11.17	12.11.17	12.11.16	12.11.15

NO.	APPROVED	CHECKED	DESIGNED	DRAWN
	12.11.17	12.11.17	12.11.16	12.11.15

NO.	APPROVED	CHECKED	DESIGNED	DRAWN
	12.11.17	12.11.17	12.11.16	12.11.15

NO.	APPROVED	CHECKED	DESIGNED	DRAWN
	12.11.17	12.11.17	12.11.16	12.11.15

NO.	APPROVED	CHECKED	DESIGNED	DRAWN
	12.11.17	12.11.17	12.11.16	12.11.15

NO.	APPROVED	CHECKED	DESIGNED	DRAWN
	12.11.17	12.11.17	12.11.16	12.11.15

NO.	APPROVED	CHECKED	DESIGNED	DRAWN
	12.11.17	12.11.17	12.11.16	12.11.15

NO.	APPROVED	CHECKED	DESIGNED	DRAWN
	12.11.17	12.11.17	12.11.16	12.11.15

NO.	APPROVED	CHECKED	DESIGNED	DRAWN
	12.11.17	12.11.17	12.11.16	12.11.15

NO.	APPROVED	CHECKED	DESIGNED	DRAWN
	12.11.17	12.11.17	12.11.16	12.11.15

NO.	APPROVED	CHECKED	DESIGNED	DRAWN
	12.11.17	12.11.17	12.11.16	12.11.15

NO.	APPROVED	CHECKED	DESIGNED	DRAWN
	12.11.17	12.11.17	12.11.16	12.11.15

NO.	APPROVED	CHECKED	DESIGNED	DRAWN
	12.11.17	12.11.17	12.11.16	12.11.15

NO.	APPROVED	CHECKED	DESIGNED	DRAWN
	12.11.17	12.11.17	12.11.16	12.11.15

NO.	APPROVED	CHECKED	DESIGNED	DRAWN
	12.11.17	12.11.17	12.11.16	12.11.15

NO.	APPROVED	CHECKED	DESIGNED	DRAWN
	12.11.17	12.11.17	12.11.16	12.11.15

NO.	APPROVED	CHECKED	DESIGNED	DRAWN
	12.11.17	12.11.17	12.11.16	12.11.15

NO.	APPROVED	CHECKED	DESIGNED	DRAWN
	12.11.17	12.11.17	12.11.16	12.11.15

NO.	APPROVED	CHECKED	DESIGNED	DRAWN
	12.11.17	12.11.17	12.11.16	12.11.15

NO.	APPROVED	CHECKED	DESIGNED	DRAWN
	12.11.17	12.11.17	12.11.16	12.11.15

NO.	APPROVED	CHECKED	DESIGNED	DRAWN
	12.11.17	12.11.17	12.11.16	12.11.15

NO.	APPROVED	CHECKED	DESIGNED	DRAWN
	12.11.17	12.11.17	12.11.16	12.11.15

NO.	APPROVED	CHECKED	DESIGNED	DRAWN
	12.11.17	12.11.17	12.11.16	12.11.15

NO.	APPROVED	CHECKED	DESIGNED	DRAWN
	12.11.17	12.11.17	12.11.16	12.11.15

NO.	APPROVED	CHECKED	DESIGNED	DRAWN
	12.11.17	12.11.17	12.11.16	12.11.15

NO.	APPROVED	CHECKED	DESIGNED	DRAWN
	12.11.17	12.11.17	12.11.16	12.11.15

NO.	APPROVED	CHECKED	DESIGNED	DRAWN
	12.11.17	12.11.17	12.11.16	12.11.15

NO.	APPROVED	CHECKED	DESIGNED	DRAWN
	12.11.17	12.11.17	12.11.16	12.11.15

NO.	APPROVED	CHECKED	DESIGNED	DRAWN
	12.11.17	12.11.17	12.11.16	12.11.15

NO.	APPROVED	CHECKED	DESIGNED	DRAWN
	12.11.17	12.11.17	12.11.16	12.11.15

NO.	APPROVED	CHECKED	DESIGNED	DRAWN
	12.11.17	12.11.17	12.11.16	12.11.15

NO.	APPROVED	CHECKED	DESIGNED	DRAWN
	12.11.17	12.11.17	12.11.16	12.11.15

NO.	APPROVED	CHECKED	DESIGNED	DRAWN
	12.11.17	12.11.17	12.11.16	12.11.15

NO.	APPROVED	CHECKED	DESIGNED	DRAWN
	12.11.17	12.11.17	12.11.16	12.11.15

NO.	APPROVED	CHECKED	DESIGNED	DRAWN
	12.11.17	12.11.17	12.11.16	12.11.15

NO.	APPROVED	CHECKED	DESIGNED	DRAWN
	12.11.17	12.11.17	12.11.16	12.11.15

NO.	APPROVED	CHECKED	DESIGNED	DRAWN
	12.11.17	12.11.17	12.11.16	12.11.15

NO.	APPROVED	CHECKED	DESIGNED	DRAWN
	12.11.17	12.11.17	12.11.16	12.11.15

NO.	APPROVED	CHECKED	DESIGNED	DRAWN
	12.11.17	12.11.17	12.11.16	12.11.15

NO.	APPROVED	CHECKED	DESIGNED	DRAWN
	12.11.17	12.11.17	12.11.16	12.11.15

NO.	APPROVED	CHECKED	DESIGNED	DRAWN
	12.11.17	12.11.17	12.11.16	12.11.15

NO.	APPROVED	CHECKED	DESIGNED	DRAWN
	12.11.17	12.11.17	12.11.16	12.11.15

NO.	APPROVED	CHECKED	DESIGNED	DRAWN
	12.11.17	12.11.17	12.11.16	12.11.15

NO.	APPROVED	CHECKED	DESIGNED	DRAWN
	12.11.17	12.11.17	12.11.16	12.11.15

NO.	APPROVED	CHECKED	DESIGNED	DRAWN
	12.11.17	12.11.17	12.11.16	12.11.15

NO.	APPROVED	CHECKED	DESIGNED	DRAWN
	12.11.17	12.11.17	12.11.16	12.11.15