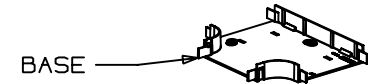
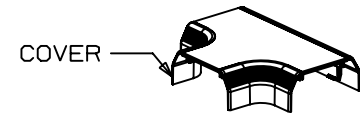
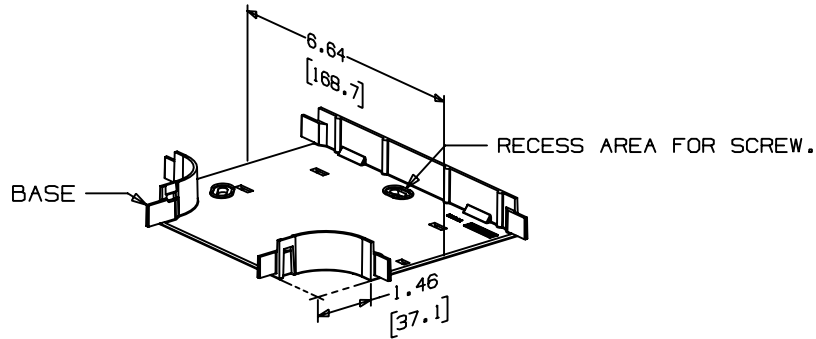
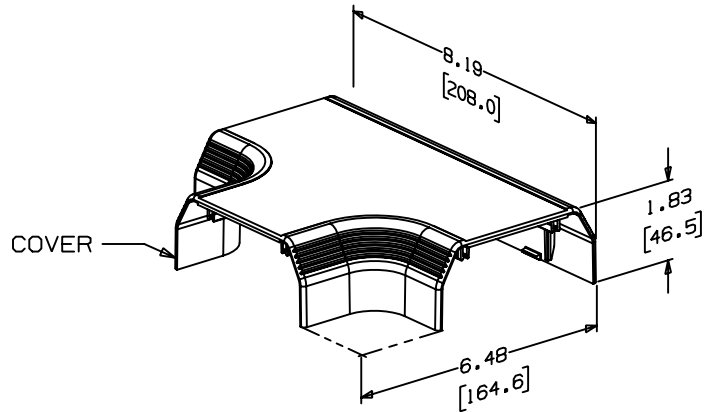


THIS COPY IS PROVIDED ON A RESTRICTED BASIS AND IS NOT TO BE USED IN ANY WAY DETRIMENTAL TO THE INTERESTS OF PANDUIT CORP.

PANDUIT P/N	WEIGHT
T70T	5.6 LB/10 PCS (2545 g/10 PCS)



NOTES:

1. SEE CURRENT CATALOG FOR ADDITIONAL PART NUMBER SUFFIXES TO INDICATE COLOR AND/OR PACKAGE QUANTITY.
2. THIS PRODUCT IS INTENDED TO BE USED WITH PANDUIT TYPE T-70 RACEWAY.
3. THIS PRODUCT IS FEATURED WITH A 1" BEND RADIUS.



CAD FILENAME/LAYERS D34866EF_DC_T70T_01.PRT

PANDUIT CORP. TINLEY PARK, ILLINOIS



T-70 TEE
(T70T)
CUSTOMER DRAWING

UNLESS OTHERWISE SPECIFIED,
DIMENSIONAL TOLERANCES ARE:
(.X) ± (.XXX) ±
(.XX) ±.03 (.8) ANGLES ±

UNLESS OTHERWISE SPECIFIED,
ALL DIMENSIONS ARE GIVEN
IN INCHES, THIRD ANGLE PROJECTION.

REV	DATE	BY	CHK	DESCRIPTION	ECN	CHK	CUST	SUP
2	07-29-99	DW	HIW	D. REVISED TITLE NAME. C. REVISED MATERIAL AND WEIGHT.	34866-100	HIW	HIW	
-	-----	--	---	B. REVISED DRAWING NUMBER: WAS 34866-52	-----	---	---	
1	09-25-98	PM	HIW	A. REVISED CAD FILENAME: FILE WAS D34866DL_DC_T70FITTING_00	34866-100	HIW	HIW	
R	06-26-97	DW	HIW	RELEASED TO PRODUCTION.	34866-100	HIW	HIW	

DRAWN BY DW	MAT'L: PVC
DATE 06-26-97	
CHECKED BY HIW	

SCALE NONE	DWG SIZE A
DRAWING NO. 34866-100	

