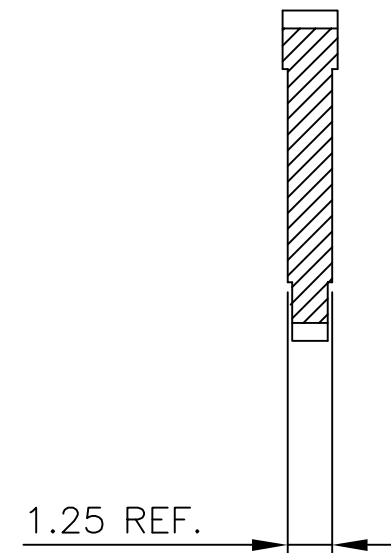
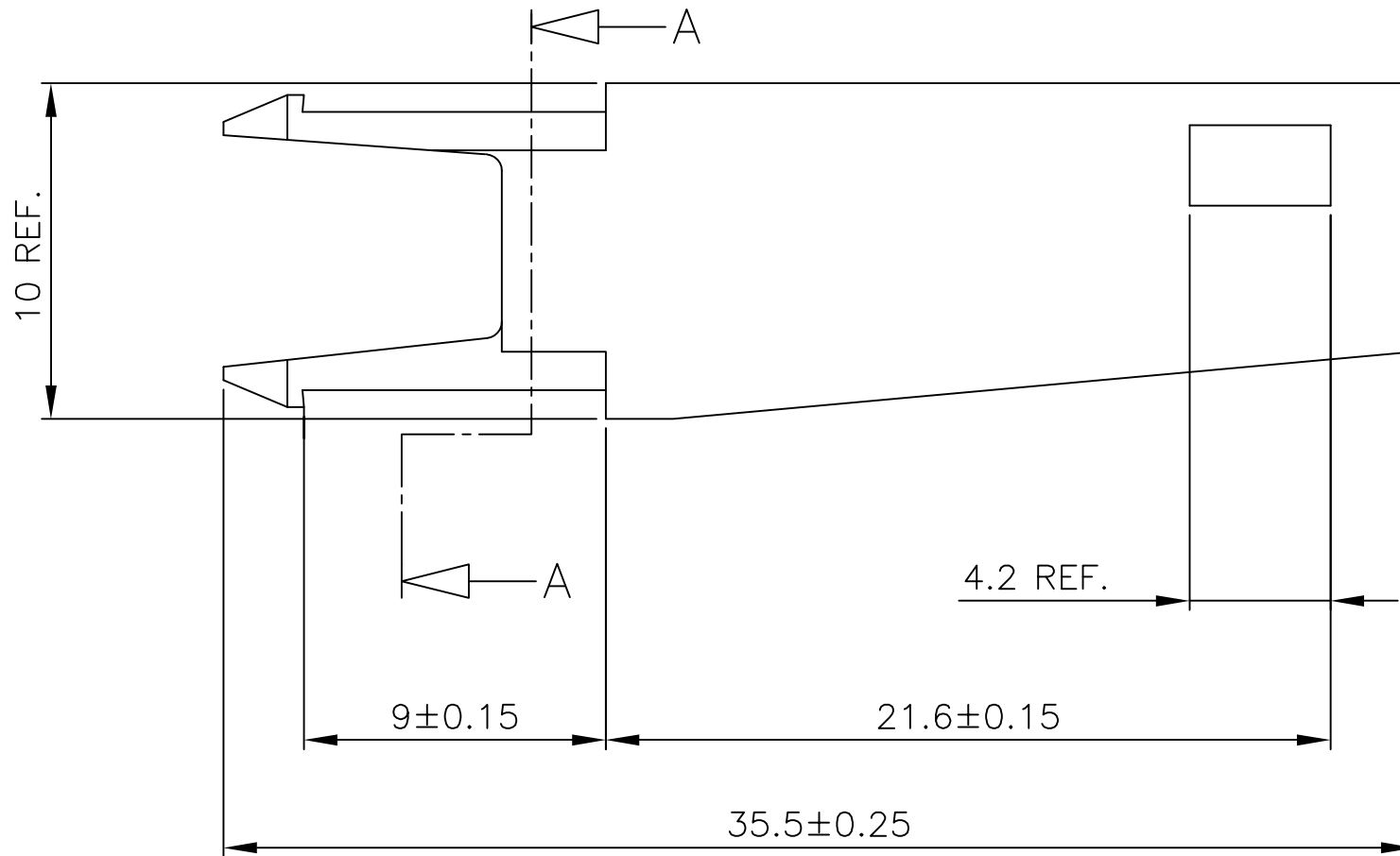


Product number
65195-001



SECTION A-A

MATERIAL: THERMOPLASTIC POLYESTER
GREY, 30% GLASS FILLED
FLAME RETARDANT UL-94-V0

NOTES:-

1. THIS PRODUCT MEETS EUROPEAN UNION DIRECTIVES AND OTHER COUNTRY REGULATIONS AS DESCRIBED IN GS-22-008.
2. LEADFREE OR RoHS DIRECTIVE LABELLING TO BE PROVIDED AS PER GS-14-920.
3. " LF " SUFFIX TO PRODUCT NUMBER FOR RoHS COMPATIBLE/ LEADFREE VERSION.
4. PARTS WITH AND WITHOUT "LF " SUFFIX ARE FORM-FIT AND FUNCTIONALLY IDENTICAL. " LF " SUFFIX PROVIDED FOR PART NUMBER STANDARDISATION OF PART THAT MEETS RoHS REQUIREMENTS.

mat'l. code		surface		tolerance		projection		product family	
SEE NOTE		ISO 1302		ISO 406 ISO 1101				BACKPANEL	
ltr	ecn no	dr	date	tolerances unless otherwise specified		mm		title	
A	H20773	JVZ	1992-11-16	angles	linear			LOCKING LATCH	
B	I05-0248	MINI	2005-11-22			scale -			
C	I06-0068	MINI	2006-06-01						
		dr		J.V.ZEIST		1992-11-16		dwg no	
		enr						sheet 1 of 1	
		chr		RAKHEE GEORGE		2006-06-01		65195	
		appd		RAKHEE GEORGE		2006-06-01		size	
sheet index		revision sheet		C		1		A3	
								type Product Customer Drawing	