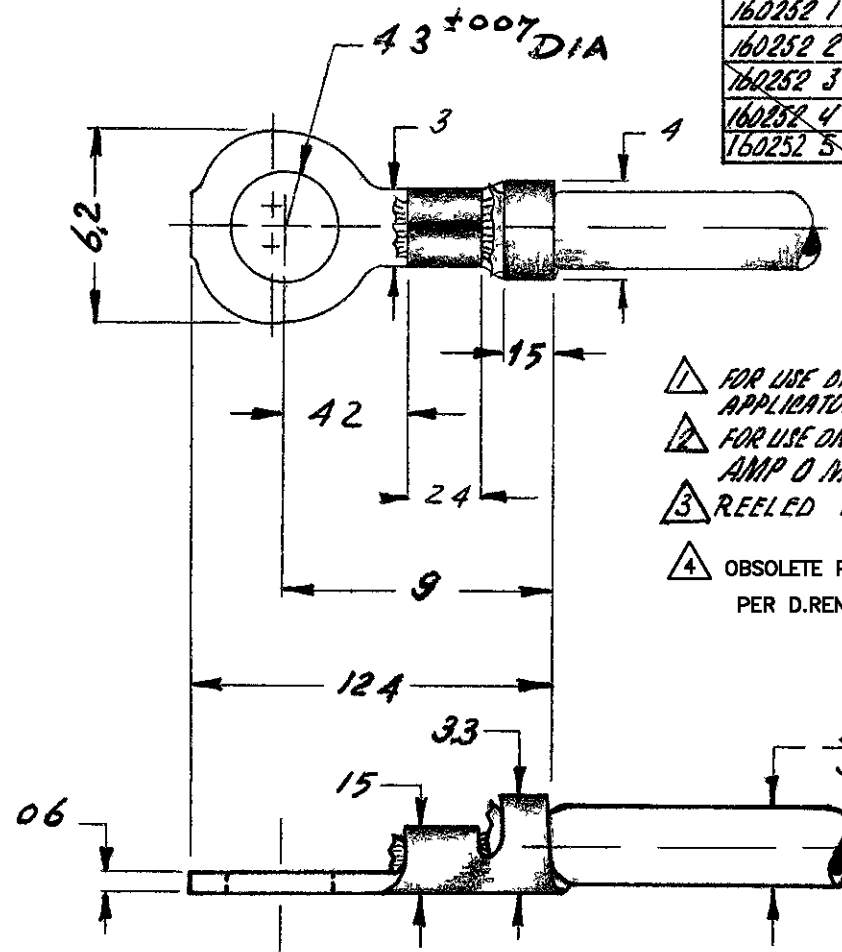


C 160252

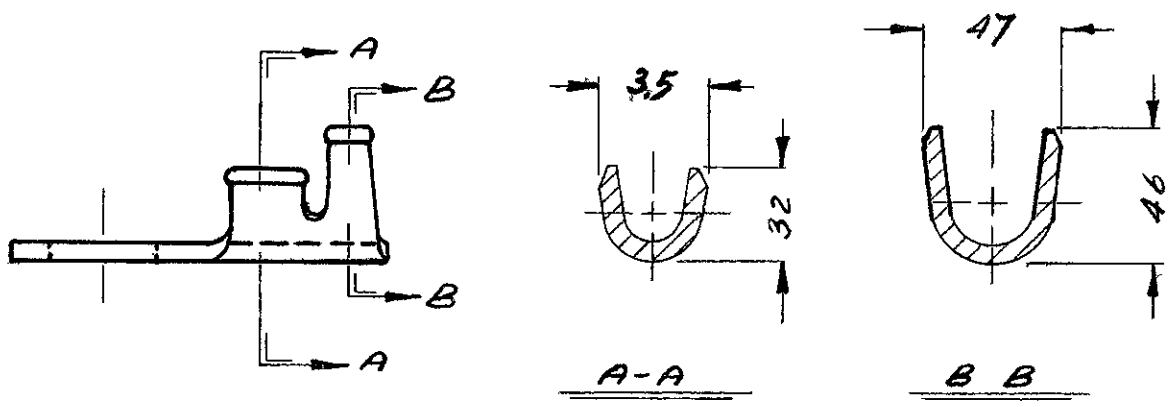
ED ON

N A T

ORDER NO	MATERIAL PLATING	NOTE
160252 1	BRASS	1
160252 2	BRASS TINPLATED	1
160252 3	BRASS	4 2
160252 4	BRASS TINPLATED	4 2
160252 5	BRASS	4 3 1



- △ FOR USE ON STANDARD AND MINIATURE APPLICATOR
- △ FOR USE ON MINIATURE APPLICATOR AMP D MOTOR APPLICATION
- △ REELED WITH PAPER
- △ OBSOLETE PARTS: OBSOLETE CIS STREAMLINING PER D.RENAUD/D.SINISI



MATERIAL **BRASS**  
 HEAT TREATMENT **~**  
 FINISH **~**

© AMP HOLLAND N V 1959

				AMP HOLLAND N V s HERTOGENBOSCH HOLLAND	
				WIRE TERMINAL	
B1	REVISED PER ECO-09-026346	NOV09	KK	CLASS RINGTONGUE	
B	ADDED -5	23.5.82	FB	TYPE A M	
A	ADDED TABLE AND NOTES	23.7.82	FB	SIZE 05-143 MM <sup>2</sup>	
No	ALTERAT ON	DATE	BY	TO ERANCES ALL D MENS ONS EXCEP AS NO ED	
DR	W J BOTS	7-9/84	TR	SCALE 4-1	
CK			APP	C-160252	