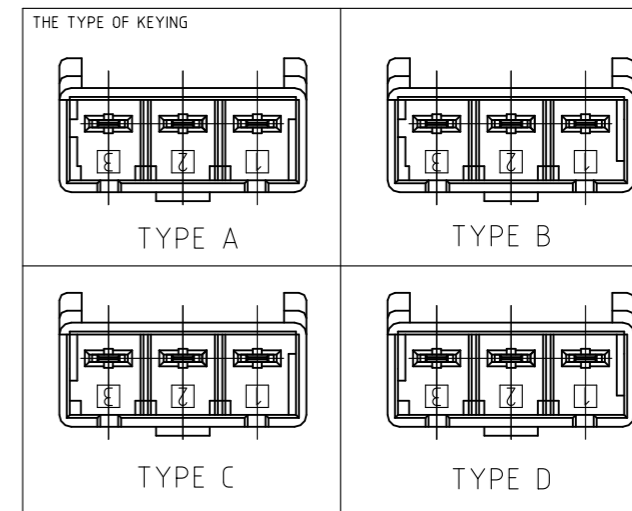
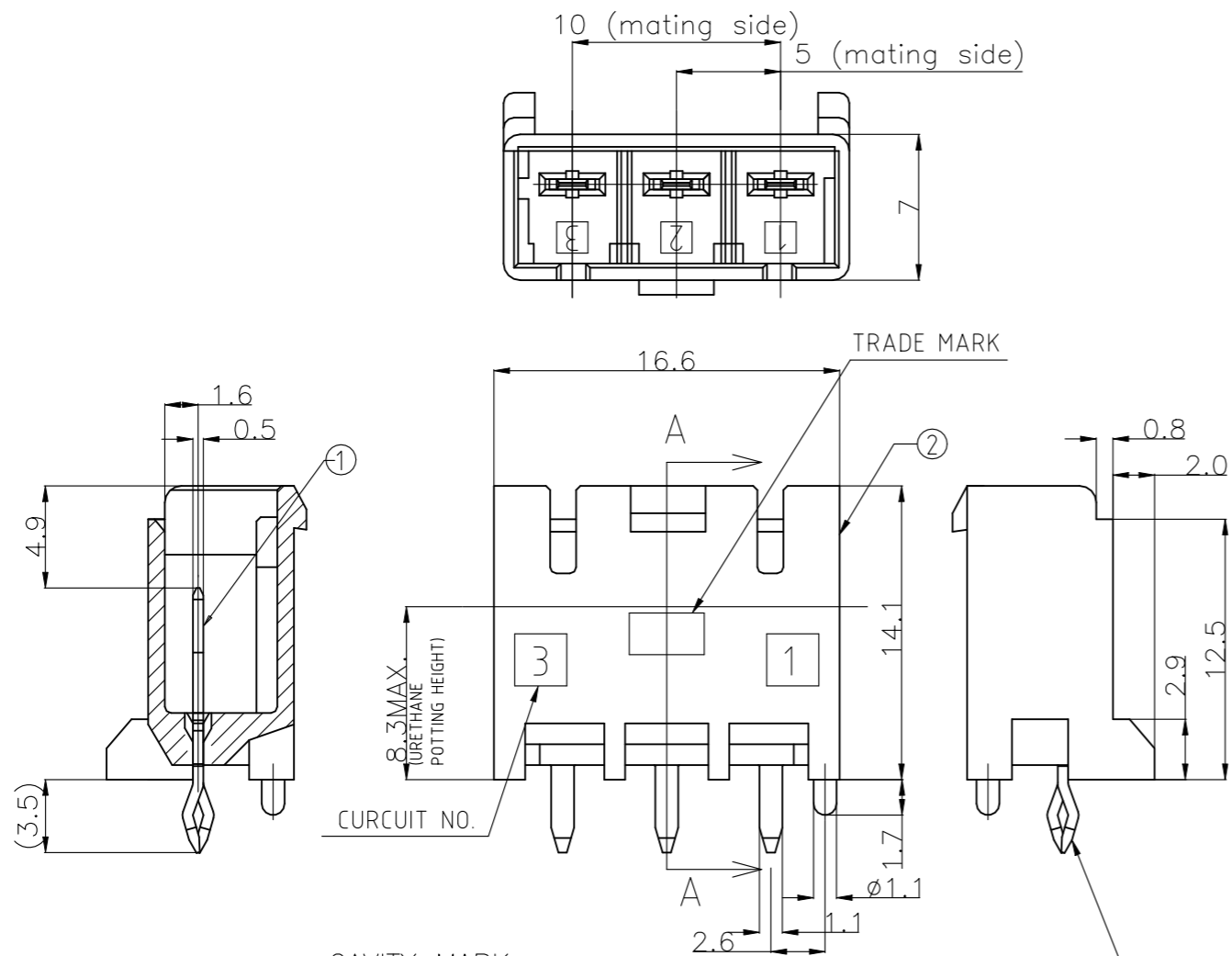
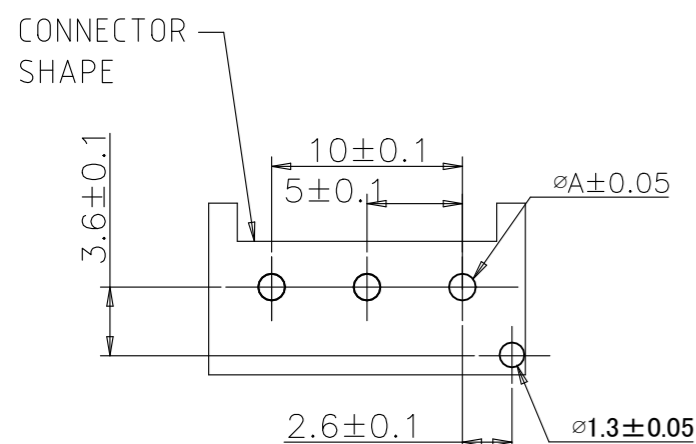


REVISIONS

P	LTR	DESCRIPTION	DATE	DWN	APVD
	H3	REVISED PER ECR-22-126744	20JAN2022	KS	DZ



NO.	NAME	MATERIAL
②	HEADER HOUSING	6/6 NYLON GRASS FILLED/ NYLON 6
①	TAB	COPPER ALLOY TIN PLATED



- ① RECOMMENDED P.C.B LAY OUT
- 2 APPLICABLE P.C.B. THICKNESS:1.6
- ③ MATING CONN. P/N PLUG HOUSING :SEE TABLE
- 4 PARTS COMPLY WITH GLOW WIRE REQUIREMENT FOR PARTS OF NON-METALLIC MATERIAL SUPPORTING A CURRENT-CARRYING CONNECTION DETAILED IN IEC 60335-1, SECTION 30 (GWT).
- ⑤ NYLON 6, GWT, V-2.
- ⑥ NYLON 66, GWT, V-0.
- ⑦ HIGH CURRENT RATING VERSION.

⑦/⑥	1-1376389-2	WITH KINK	TYPE B	RED	3Pos	1-1376383-6
⑦/⑥	1376389-1	WITH KINK	TYPE A	NATURAL	3Pos	1376383-6
⑤	1376389-5	WITH KINK	TYPE A	NATURAL	3Pos	1376383-5
⑥	3-1376389-4	WITHOUT KINK	TYPE D	YELLOW	3Pos	8-1376383-4
⑥	2-1376389-3	WITHOUT KINK	TYPE C	BLUE	3Pos	7-1376383-3
⑥	1-1376389-2	WITHOUT KINK	TYPE B	RED	3Pos	6-1376383-2
⑥	1376389-1	WITHOUT KINK	TYPE A	NATURAL	3Pos	5-1376383-1
⑥	3-1376389-4	WITH KINK	TYPE D	YELLOW	3Pos	3-1376383-4
⑥	2-1376389-3	WITH KINK	TYPE C	BLUE	3Pos	2-1376383-3
⑥	1-1376389-2	WITH KINK	TYPE B	RED	3Pos	1-1376383-2
⑥	1376389-1	WITH KINK	TYPE A	NATURAL	3Pos	1376383-1
	MATING CONN. P/N	③ WITH/WITHOUT KINK	TYPE OF KEYING	Color	Pos	PART NO.

PUNCHING	1.25
DRILLING	1.4
	DIM A

① RECOMMENDED PCB HOLES

THIS DRAWING IS A CONTROLLED DOCUMENT.

DIMENSIONS: mm	TOLERANCES UNLESS OTHERWISE SPECIFIED:	DWN A.OISHI 28AUG'00	TE Connectivity
	0 PLC ± 0.2	CHK Y.KASHIWA 28AUG'00	
	1 PLC ±	APVD Y.KASHIWA 28AUG'00	
	2 PLC ±	NAME	
	3 PLC ±	PRODUCT SPEC 108-5699	5.0 POWER KEY CONNECTOR 3P HEADER ASSEMBLY
	4 PLC ±	APPLICATION SPEC 114-5292	SIZE CAGE CODE DRAWING NO
	ANGLES ±	WEIGHT -	A3 00779 C-1376383
MATERIAL SEE TABLE	FINISH -	CUSTOMER DRAWING	RESTRICTED TO -
		SCALE 3:1	SHEET 1 OF 1
		REV H3	