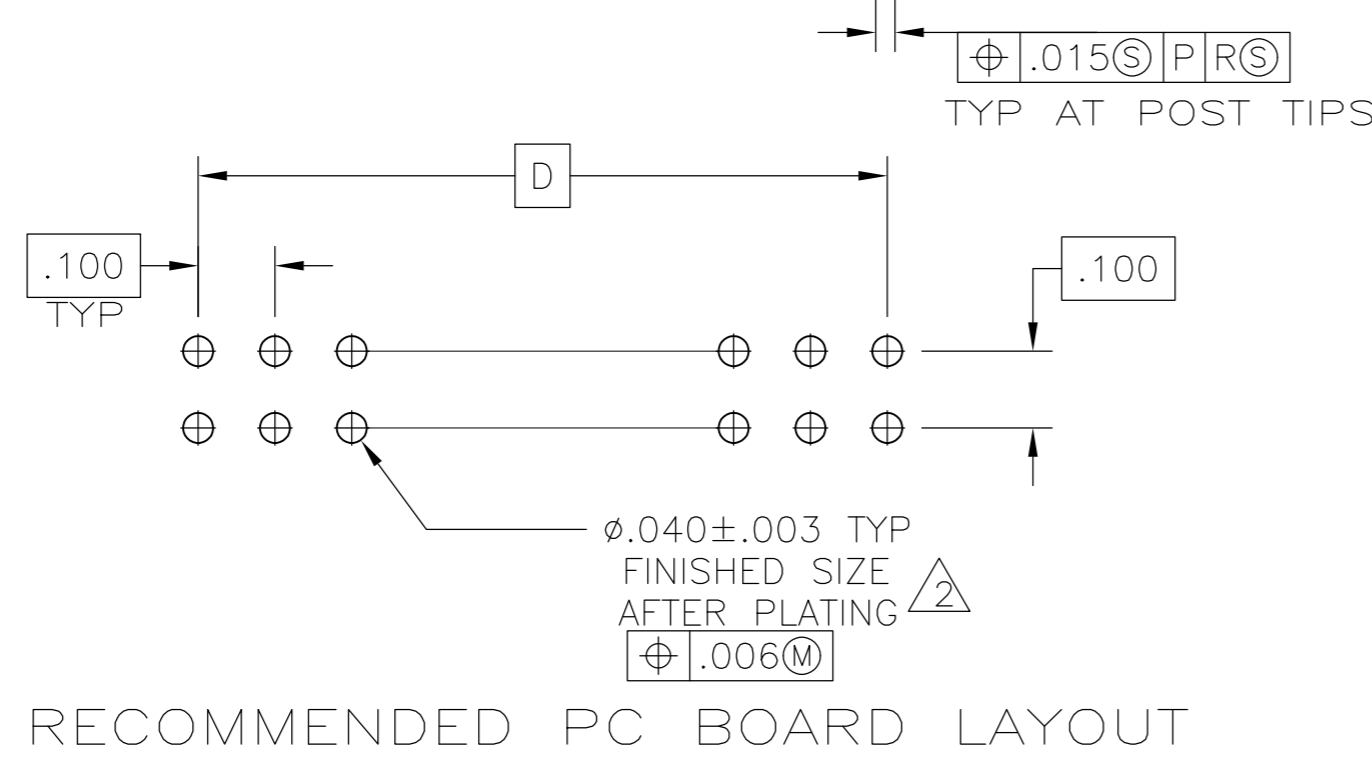
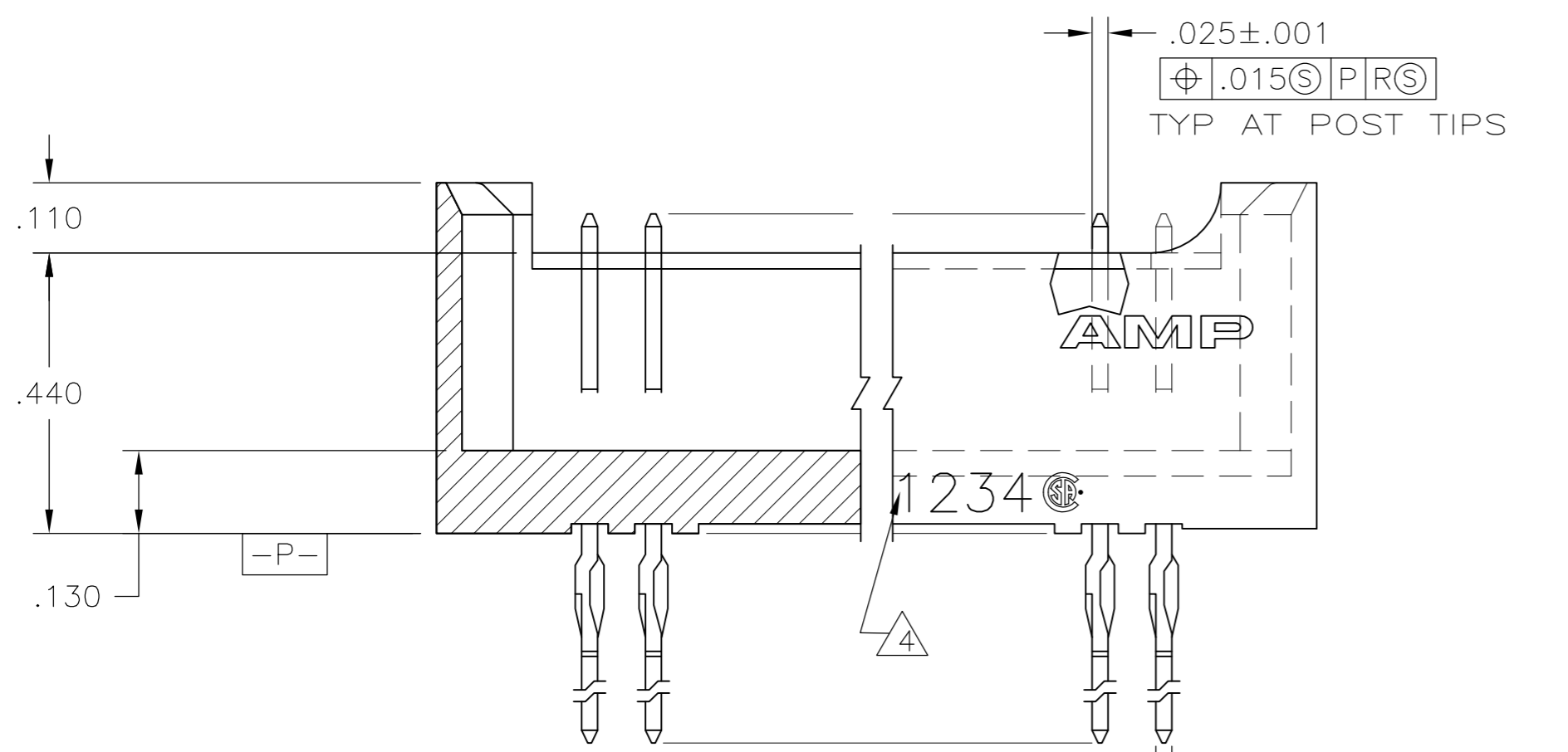
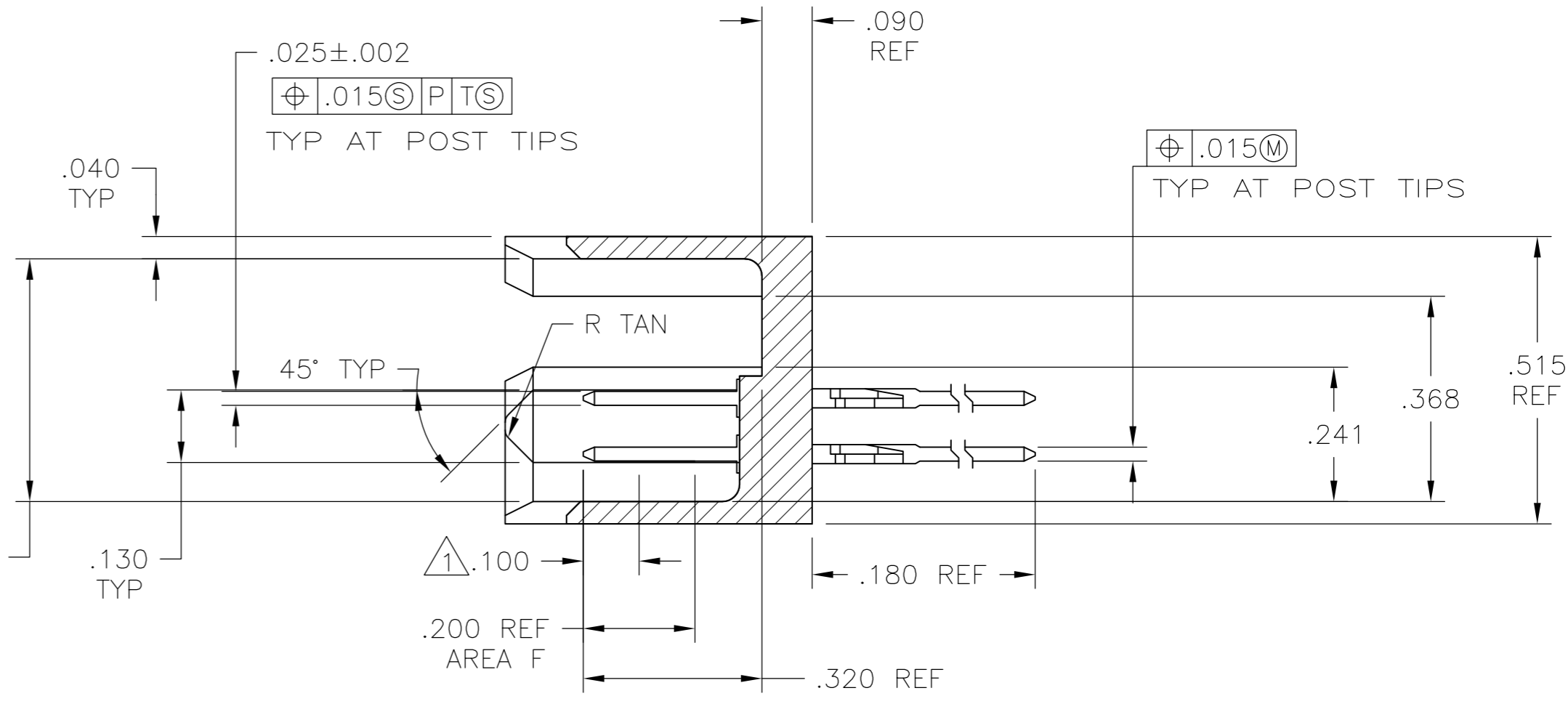
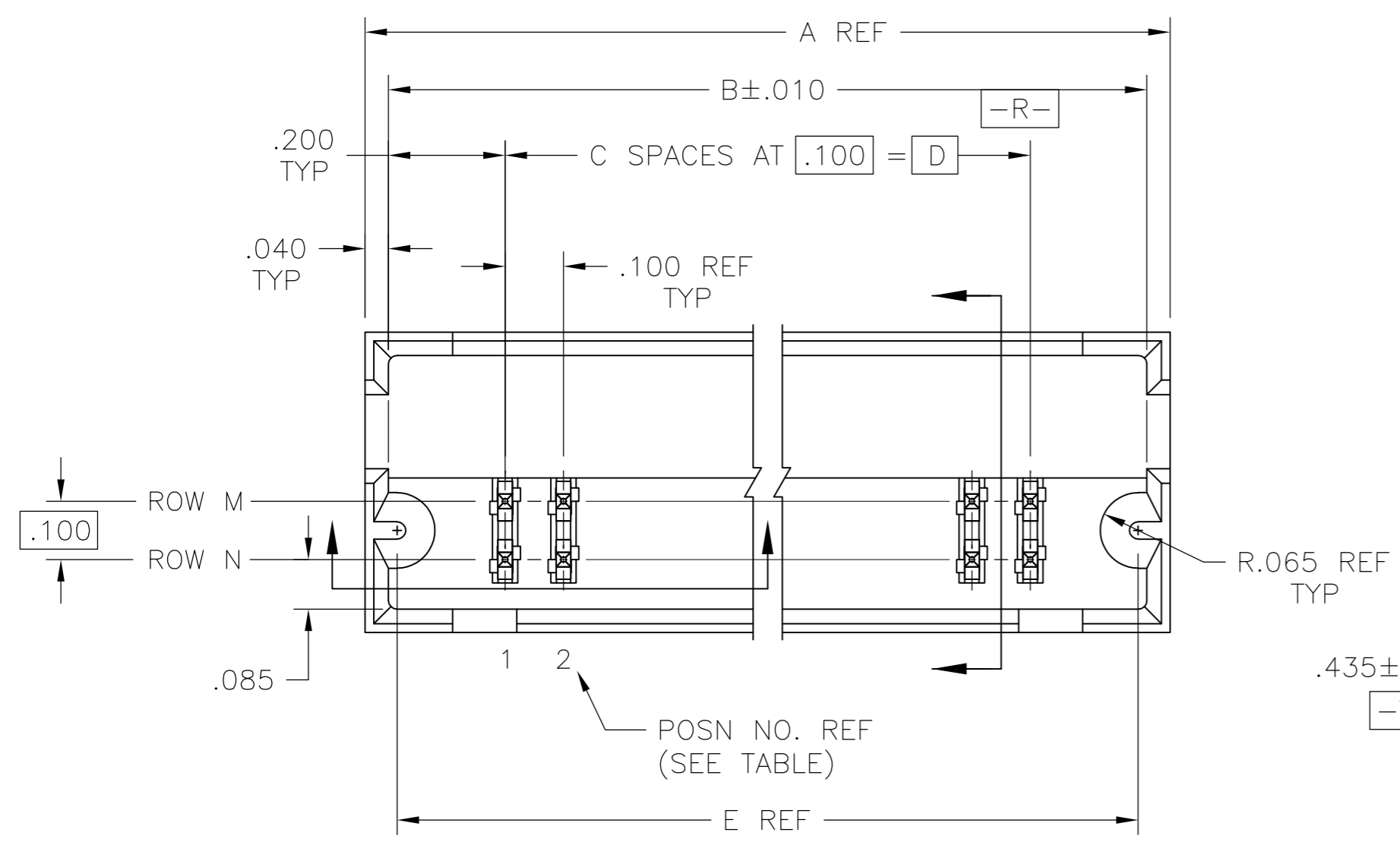


THIS DRAWING IS UNPUBLISHED. RELEASED FOR PUBLICATION
 © COPYRIGHT - By - ALL RIGHTS RESERVED.

LOC		DIST		REVISIONS				
P	LTR	DESCRIPTION			DATE	DWN	APVD	
AD	00	F1	REVISED PER ECO-12-019332			04NOV12	KH	JO



- 1 POINT OF MEASUREMENT FOR PLATING THICKNESS.
- 2 RECOMMENDED DRILL SIZE 1.15mm .0452±.0010 INCHES.
- 3 DUPLEX PLATING: .000030 GOLD IN AREA F. .000100-.000200 BRIGHT TIN-LEAD ON COMPLIANT TAIL, ALL OVER .000050 NICKEL.
- 4 RECESSED DATE CODE AND CSA LOGO
- 5 PRELIMINARY PART - NOT RELEASED FOR PRODUCTION.
- 6 ROHS 2002/95/EC COMPLIANT
- 7 DUPLEX PLATING: .000030 GOLD IN AREA F, .000100-.000200 MATTE TIN ON COMPLIANT TAIL, ALL OVER .000050 NICKEL

6	7	-	1	4.270	3.900	39	4.300	4.380	80	5-147792-5
6	7	-	36	4.270	3.900	39	4.300	4.380	80	5-147792-4
6	7	37	-	4.270	3.900	39	4.300	4.380	80	5-147792-3
6	7	40	-	4.270	3.900	39	4.300	4.380	80	5-147792-2
6	7	1	-	4.270	3.900	39	4.300	4.380	80	5-147792-1
6	7	-	1	4.270	3.900	39	4.300	4.380	80	147792-5
5	3	-	36	4.270	3.900	39	4.300	4.380	80	147792-4
3	3	37	-	4.270	3.900	39	4.300	4.380	80	147792-3
3	3	40	-	4.270	3.900	39	4.300	4.380	80	147792-2
3	3	1	-	4.270	3.900	39	4.300	4.380	80	147792-1
PLATING		ROW M	ROW N	E	D	C	B	A	NO. OF POSN	ASSEMBLY PART NO.

THIS DRAWING IS A CONTROLLED DOCUMENT.

DWN	R BROWN	12APR01
CHK	J GESFORD	12APR01
APVD	J GESFORD	12APR01
PRODUCT SPEC	-	
APPLICATION SPEC	-	
WEIGHT	-	
CUSTOMER DRAWING	-	

TE Connectivity

NAME: HEADER ASSY, MOD II, DOUBLE ROW, .100x.100 CL, .025 SQ, COMPLIANT PIN POSTS, WITH GUIDE PINS SELECT LOAD

SIZE: A2 CAGE CODE: 00779 C=147792 DRAWING NO: 147792 RESTRICTED TO: -

SCALE: 4:1 SHEET: 1 OF 1 REV: F1