

General Specifications

Motor Protection:

Auto Restart/Polarity Protection

Insulation Resistance:

10M Ω or over with a DC500V Megger

Dielectric Withstand Voltage: AC 700V 1s

Allowable Ambient Temperature Range:

-10°C ~ +60°C (Operating)

-40°C ~ +60°C (Storage)

(non-condensing environment)

Expected Life

Failure Rate: 10%

25°C 70,000 Hours (L00/B00)

Material

Casing : Plastic (Black) UL94V-0

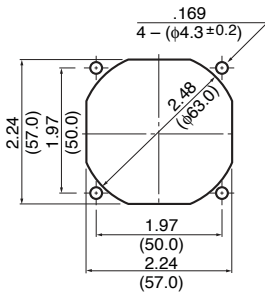
Impeller : Plastic (Black) UL94V-0

Bearing : Ball Bearing

Lead Wire : UL1007, AWG26, +Red, -Black

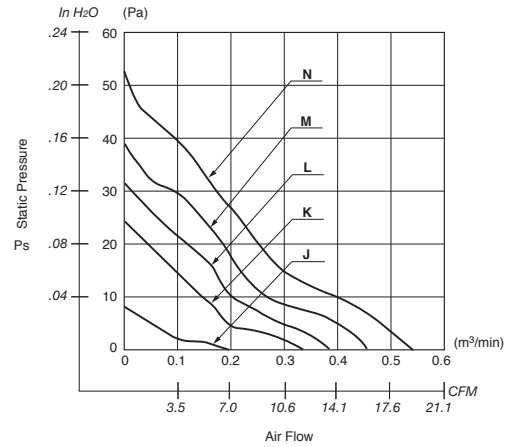
Panel Cut-Outs

Units: $\frac{\text{inch}}{\text{mm}}$

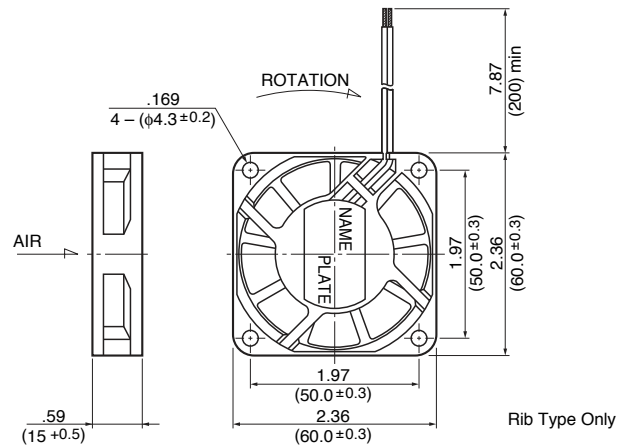


INLET SIDE / OUTLET SIDE

Characteristic Curves



Outline



Specifications

MODEL	LEGACY P/N	Rated Voltage	Operating Voltage	Current	Input Power	Speed	Max. Air Flow		Max. Static Pressure		Noise	Mass
		(V)	(V)	(A)*1	(W)*1	(min ⁻¹)*1	CFM*1	(m ³ /min)*1	in H ₂ O	(Pa)*1	(dB)*1	(g)
06015KA-12J-AA-00	2406KL-04W-B10-L00	12	7.0 ~ 13.8	0.04	0.48	1800	6.7	0.19	.03	8.5	19.0	45
06015KA-12K-AA-00	2406KL-04W-B20-L00	12	6.0 ~ 13.8	0.07	0.84	3100	11.6	0.33	.09	23.4	25.0	45
06015KA-12L-AA-00	2406KL-04W-B30-L00	12	6.0 ~ 13.8	0.09	1.08	3600	14.1	0.40	.13	31.3	28.0	45
06015KA-12M-AA-00	2406KL-04W-B40-L00	12	6.0 ~ 13.8	0.13	1.56	4100	15.9	0.45	.16	39.7	31.0	45
06015KA-12N-AA-00	2406KL-04W-B50-L00	12	6.0 ~ 13.8	0.16	1.92	4600	18.3	0.52	.20	51.2	34.0	45
06015KA-24J-AA-00	2406KL-05W-B10-L00	24	18.5 ~ 27.6	0.04	0.96	1800	6.7	0.19	.03	8.5	19.0	45
06015KA-24K-AA-00	2406KL-05W-B20-L00	24	12.0 ~ 27.6	0.06	1.44	3100	11.6	0.33	.09	23.4	25.0	45
06015KA-24L-AA-00	2406KL-05W-B30-L00	24	12.0 ~ 27.6	0.06	1.44	3600	14.1	0.40	.13	31.3	28.0	45
06015KA-24M-AA-00	2406KL-05W-B40-L00	24	10.0 ~ 27.6	0.07	1.68	4100	15.9	0.45	.16	39.7	31.0	45
06015KA-24N-AA-00	2406KL-05W-B50-L00	24	10.0 ~ 27.6	0.10	2.40	4600	18.3	0.52	.20	51.2	34.0	45

Rotation: Clockwise

Airflow Outlet: Air Out Over Struts

*1: Average Values in Free Air

Note: Locked Rotor/Tach Available