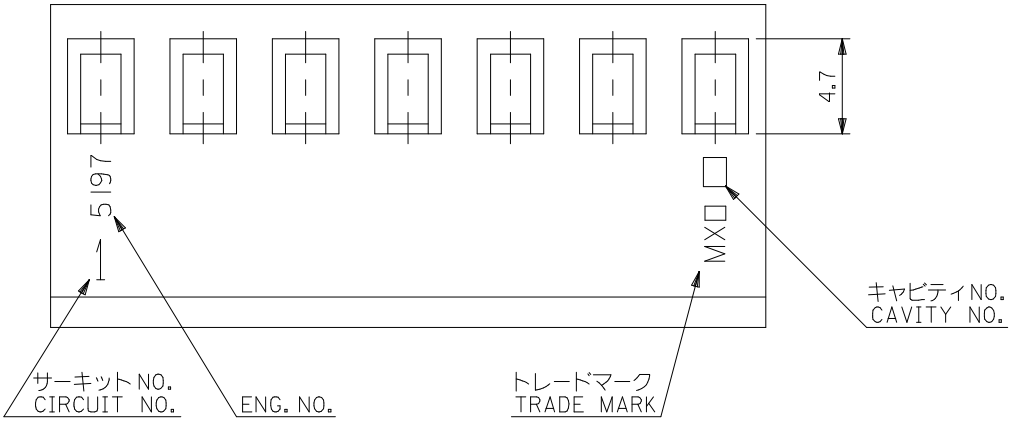
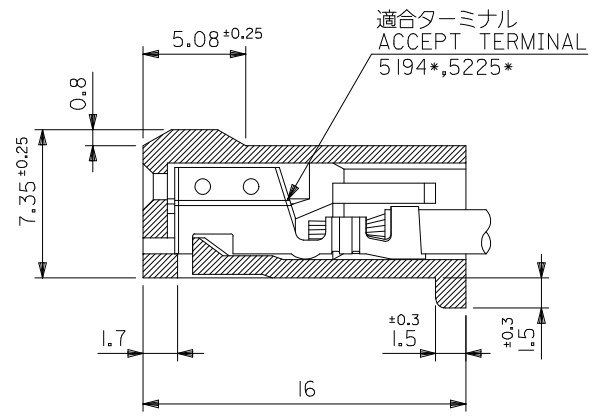
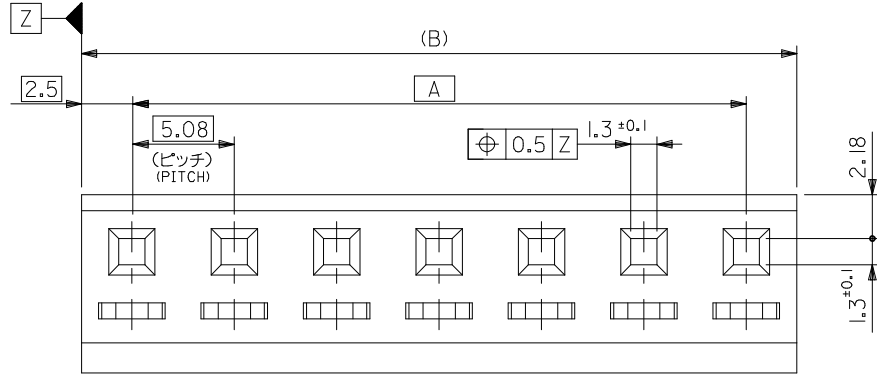


10 9 8 7 6 5 4 3 2 1



- 注記 NOTES
- 各部の反りは0.5最大。
WARPING : 0.5 MAX.
 - サーキットNO.はNO."1"のみ表示。
CIRCUIT NO. : 1 ONLY.

30.4	25.4	39-01-1060	5197-063	6
10.08	5.08	39-01-1020	5197-023	2
B	A	EDP NO.	MATERIAL NO.	極数 NO. OF CXTS.
			MODEL NO.	5197-N3

材料 MATERIAL
ナイロン66, UL94V-0
NYLON66, UL94V-0

REVISED EC NO. J2009-0049 DRWN:NAKAMURA 2008/07/23 CHKD:T. HIRUYAMA 2008/07/23 APPR:NUKITA 2008/11/14	GENERAL TOLERANCES (UNLESS SPECIFIED)		DIMENSION STYLE MM ONLY	SCALE 4:1	DESIGN UNITS METRIC	SPOX 5.08 PITCH RECEPTACLE HOUSING MOLEX INCORPORATED DOCUMENT NO. SD-5197-001 SHEET NO. 1 OF 1
	10 UNDER	± 0.2	DRAWN BY T. ASAKAWA	DATE '95/5/9	TITLE	
	10 OVER 30 UNDER	± 0.25	CHECKED BY H. HIRAMOTO	DATE '95/5/9		
	30 OVER	± 0.3	APPROVED BY M. FUKUSHIMA	DATE '95/5/9		
REV	DESCRIPTION	ANGULAR ± 3 °	MATERIAL NO.	SEE TABLE		
		DRAFT WHERE APPLICABLE MUST REMAIN WITHIN DIMENSIONS	THIS DRAWING CONTAINS INFORMATION THAT IS PROPRIETARY TO MOLEX INCORPORATED AND SHOULD NOT BE USED WITHOUT WRITTEN PERMISSION			