



ETA-USA

The Power Professionals

ZWF360

360W AC/DC



Features

- Comes with either top fan (denoted by suffix "-T") or end fan (denoted by "-S")
- +5Vsb/0.25A convection cooling, 1A forced air cooling
- +12V/1A DC fan output
- Safety Pending



MODEL/CHANNEL		Unit	ZWF360-12 SX-F-W	ZWF360-24 SX-F-W	ZWF360-30 SX-F-W	ZWF360-36 SX-F-W	ZWF360-48 SX-F-W	ZWF360-54 SX-F-W	ZWF360-57 SX-F-W
OUTPUT	Nominal Voltage	V	12	24	30	36	48	54	57
	Current	A	30	15	12	10	7.5	6.67	6.32
	Ripple & Noise(pk-pk)	mV	120	240	300	360	480	540	570
	Max. OP Current	A	22.5	11.25	9	7.5	5.63	5.01	4.74
	Efficiency	%	AC100V 83%; AC 200V 86%						
	Power Factor	mV	>0.95@115VAC/>0.9@230VAC						
	OP Regulation	mV	1% at 25°C with input and output adjusted to factory settings						
	Hold-up Time typ.	ms	20mS at 360W load, 115VAC input						
INPUT	Voltage, Frequency	V	50/60 Hz						
	Current Typ.	A	4.5A max at 115VAC; 2.25A at 230VAC						
	Frequency Range	Hz	47~63Hz						
	Input Voltage Range	%	AC90~264V						
	Inrush Current Typ.	A	<25A peak@115VAC; <50A peak@230VAC cold start at 25°C						
	Power Factor	Vac	>0.95 at 115VAC; >0.9 at 230VAC full load						
Environment	Over Current Protection	A	110% to 150% max rating. Auto recovery						
	Over Voltage Protection	-	130% of output.; Shutdown and latch off						
	Operating Temperature	-	0 to +70°C Derating 2.5%/°C from 50°C to 70°C						
	Operating Humidity	-	5~95% RH non condensing						
	Cooling / O.T.P	-	Forced air cooling (360W max); convection cooling (270W max)						
	Leakage Current	-	<300A @264VAC						
Function	MTBF	-	>100,000 hours						
	Standby	-	5V/1A standby output, 12V/1A for fan						
	Series	-	Available						
	Parallel Operation	-	Available, up to 4						
	Short Circuit	-	Auto recovery						
	Safety	-	RU, CSA-C22.2 No. 950-1, TUV EN60950-1, CB, IEC60950-1						
	Emi Safety	-	EN55022 Class B, FCC Part 15 Class B, CE						
Dimension	Size(WxLxH) / Weight	mm/g	203.2Lx118.5Wx66H/990g						



ETA-USA

16170 Vineyard Blvd. Suite 180 Morgan Hill, CA 95037 <http://www.eta-usa.com>

Toll-free (US only): 800-ETA-POWR (800-382-7697) Telephone: 408 778-2793 FAX: 408-779-2753

©2014 ETA-USA All Rights Reserved

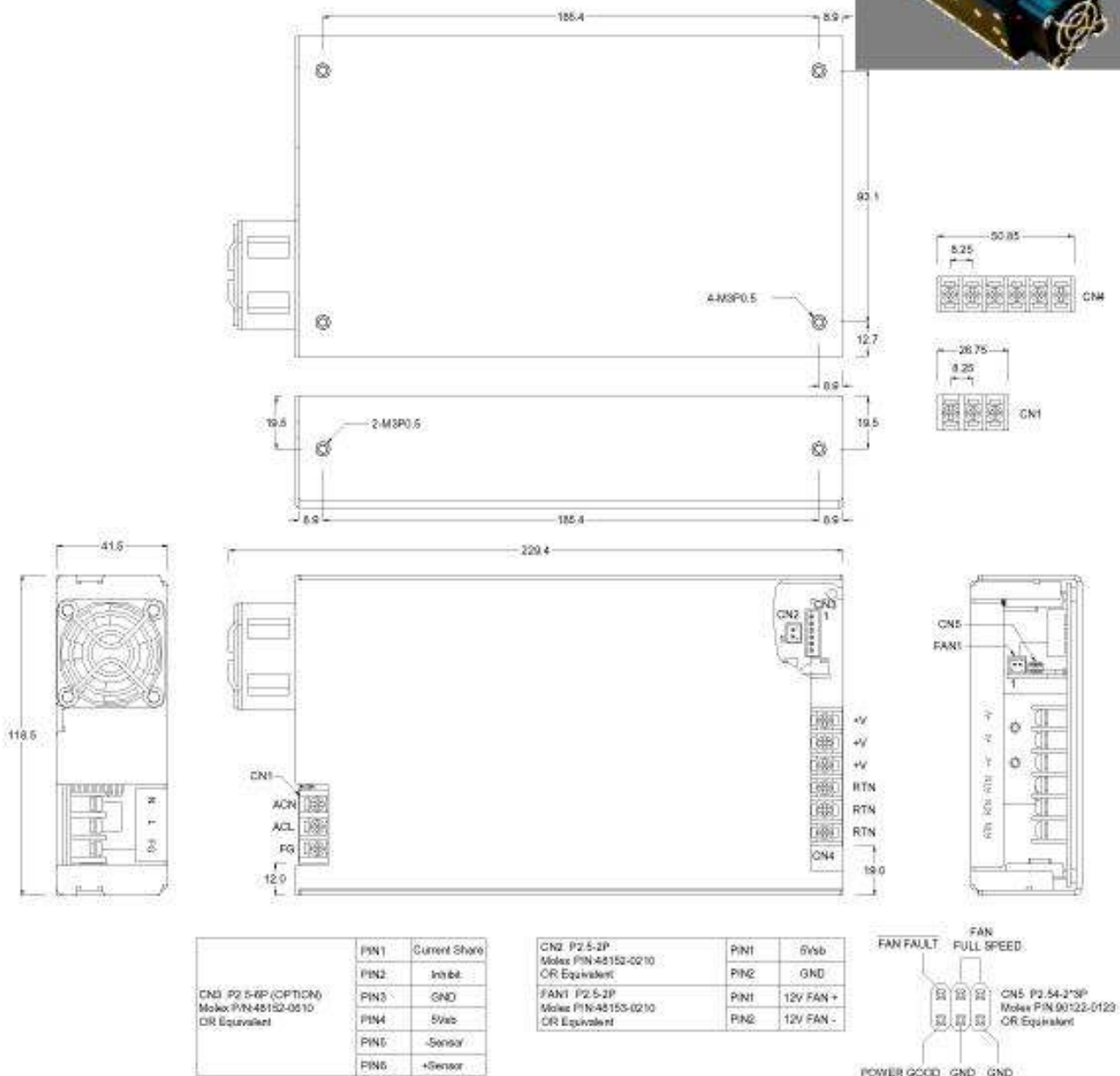
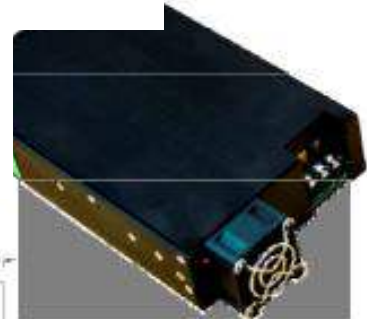
ETA-USA reserves the right to make changes to the products and specifications without prior notice. Please contact the factory for latest information.



ETA-USA

The Power Professionals

Mechanical Drawings Option: S, End Fan



ETA-USA

16170 Vineyard Blvd. Suite 180 Morgan Hill, CA 95037 <http://www.eta-usa.com>

Toll-free (US only): 800-ETA-POWR (800-382-7697) Telephone: 408 778-2793 FAX: 408-779-2753

©2014 ETA-USA All Rights Reserved

ETA-USA reserves the right to make changes to the products and specifications without prior notice. Please contact the factory for latest information.



Connectors

CN1: Input Connector

3-Pole Terminal block pitch: 8.25mm rate 20A/300V

Pin #	Signal
1	AC Neutral
2	AC Line
3	F.G.

CN2: +5VSB Output Connector

JST B2B-XH-A pitch: 2.5mm or equivalent, mates w female housing JST XHP-2 or equivalent

Pin #	Signal
1	+5VSB
2	GND

CN3: Remote Sense Connector

JST B6B-XH-A pitch: 2.5mm or equivalent, mates w female housing JST XHP-6 or equivalent

Pin #	Signal
1	Sense +
2	Sense -
3	+5VSB
4	GND
5	INHIBIT (Remote control)
6	Current Share

INHIBIT: Logic level HIGH(+5V): Enable, Logic level LOW: Disable(0V)

CN4: Main Output Connector

6-Pole Terminal block pitch: 8.25mm rate 20A/300V

Pin #	Signal
1	+Vo
2	+Vo
3	+Vo
4	RTN
5	RTN
6	RTN

FAN1: Fan Output Connector

JST S2B-XH-A pitch: 2.5mm or equivalent, mates w female housing JST XHP-2 or equivalent

Pin #	Signal
1	+12VDC FAN+
2	+12VDC FAN-

FAN2: Fan Output Connector

JST B2B-XH-A pitch: 2.5mm or equivalent, mates w female housing JST XHP-2 or equivalent

Pin #	Signal
1	+12VDC FAN+
2	+12VDC FAN-



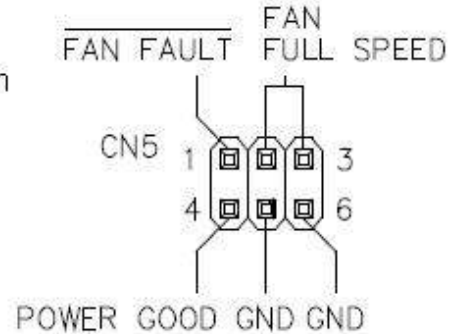


Matching Connectors

CN5: Fan control & Power Good Signal Connector

JST RF-H062TD-1130 pitch: 2.54mm or equivalent, mates with female housing JST RF-06 or equivalent

Pin #	Signal
1	FAN FAULT
2, 3	FAN FULL SPEED
4	POWER GOOD
5	GND
6	GND



FAN FAULT: Fan status indication, Fan Good: Logic level HIGH(+5V), Fan Fault: Logic level LOW(0V)
 FAN FULL SPEED: Short these 2 pins (#2 and #3) with mini-jumper to get highest fan speed
 POWER GOOD: Power Good: Logic level HIGH(+5V), Power Fault: Logic LOW(0V)

Derating Curve

