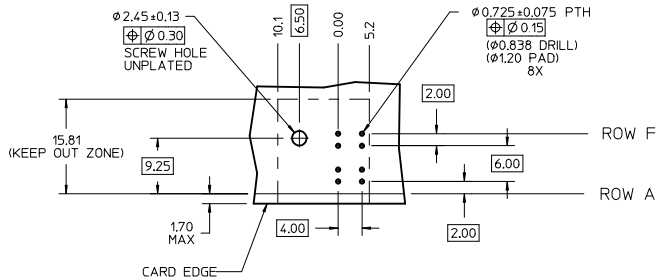
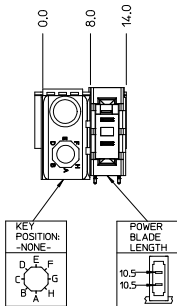
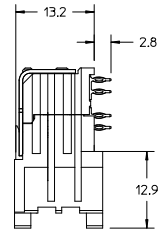
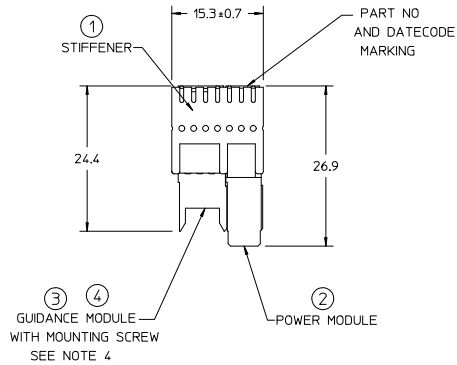


CUSTOMER: COMPUNETIX



DAUGHTERCARD HOLE PATTERN (CONNECTOR SIDE)

NOTES: (UNLESS OTHERWISE SPECIFIED)

- MATERIALS: HOUSING : LIQUID CRYSTAL POLYMER (LCP) GLASS-FILLED, UL94V-0, BLACK. TERMINALS: COPPER ALLOY STIFFENER: STAINLESS STEEL
- FINISH: SELECTIVE GOLD (Au) 0.76 micrometer MINIMUM IN CONTACT AREA, SELECTIVE MATTE TIN (Sn) IN TAIL AREA, NICKEL (Ni) UNDERPLATE OVERALL.
- REFER TO MOLEX PRODUCT SPECIFICATION PS-74031-999 FOR PERFORMANCE SPECIFICATIONS.
- PACKAGED PER PK-70873-5040 SCREWS PACKED IN BAGS INSIDE OF TUBES.
- REFER TO MOLEX DOCUMENT SD-74037-005 FOR ADDITIONAL DETAIL ON THE GUIDANCE MODULE.
- REFER TO MOLEX DOCUMENT SD-75885-001 FOR ADDITIONAL DETAIL ON THE LEAD-FREE POWER MODULE.
- MARK LABEL WITH PART NUMBER AND DATE CODE. LABEL MAY BE REPLACED BY LASER MARKINGS ON THE STIFFENER.
- THIS PART CONFORMS TO CLASS B REQUIREMENTS OF MOLEX COSMETIC SPECIFICATION PS-45499-002.

ITEM	PART NUMBER	DESCRIPTION	QTY
1	74036-0015	STIFFENER	1
2	75885-6330	POWER MODULE, LF	1
3	74037-0006	POLARIZING/GUIDE MODULE	1
4	73726-0000	GUIDE MODULE MNTG SCREW	1

LEAD-FREE PLATING

CHG TO LEAD-FREE EC NO: UCP2012-1756 DRAWN BY: CHYKSDANNELLEY APPR: SMILLER	2011/11/15 2011/11/15 2011/12/19	QUALITY SYMBOLS ▽=0 ▽=0 ▽=0	GENERAL TOLERANCES (UNLESS SPECIFIED) <table border="1"> <tr> <th></th> <th>mm</th> <th>INCH</th> </tr> <tr> <td>4 PLACES</td> <td>±---</td> <td>±---</td> </tr> <tr> <td>3 PLACES</td> <td>±---</td> <td>±---</td> </tr> <tr> <td>2 PLACES</td> <td>±0.25</td> <td>±---</td> </tr> <tr> <td>1 PLACE</td> <td>±0.38</td> <td>±---</td> </tr> </table>		mm	INCH	4 PLACES	±---	±---	3 PLACES	±---	±---	2 PLACES	±0.25	±---	1 PLACE	±0.38	±---	DIMENSION STYLE MM ONLY	SCALE 2:1	DESIGN UNITS METRIC	THIRD ANGLE PROJECTION
		mm	INCH																			
	4 PLACES	±---	±---																			
	3 PLACES	±---	±---																			
2 PLACES	±0.25	±---																				
1 PLACE	±0.38	±---																				
DRAWN BY: GES CHECKED BY: SDANNELLEY APPROVED BY: SMILLER			DATE: 2011/11/16 DATE: 2011/11/16 DATE: 2011/12/19		TITLE: VHDM 6 ROW, LF DAUGHTERCARD SALES DRAWING																	
MATERIAL NO: 74030-0565			DOCUMENT NO: SD-74030-565		MOLEX INCORPORATED																	
DRAFT WHERE APPLICABLE MUST REMAIN WITHIN DIMENSIONS			SHEET NO. 1 OF 1		THIS DRAWING CONTAINS INFORMATION THAT IS PROPRIETARY TO MOLEX INCORPORATED AND SHOULD NOT BE USED WITHOUT WRITTEN PERMISSION																	