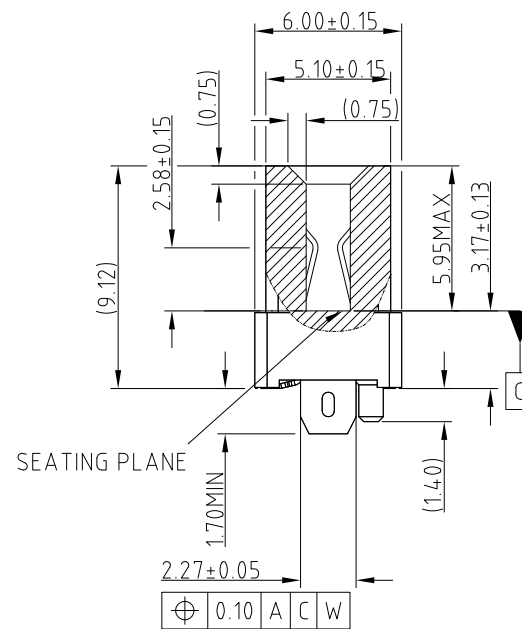
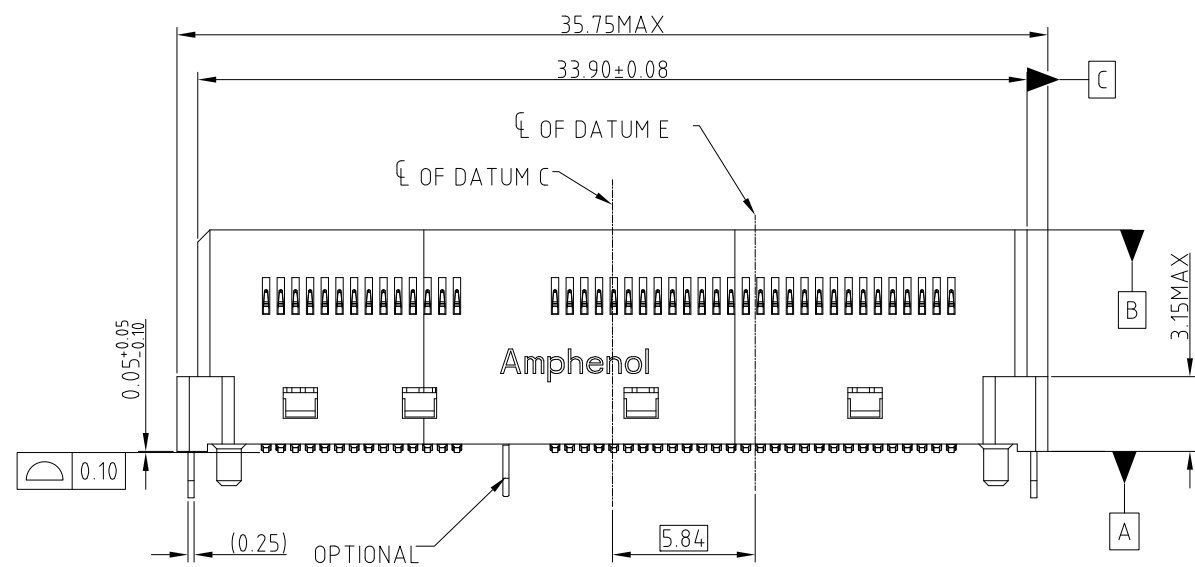
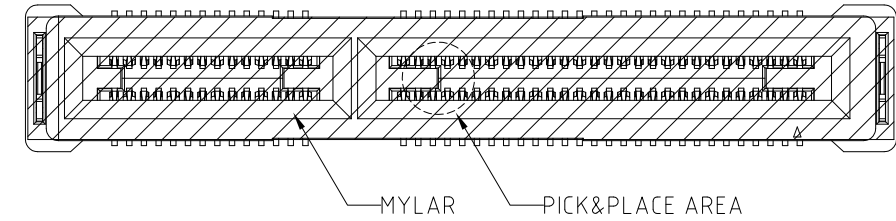
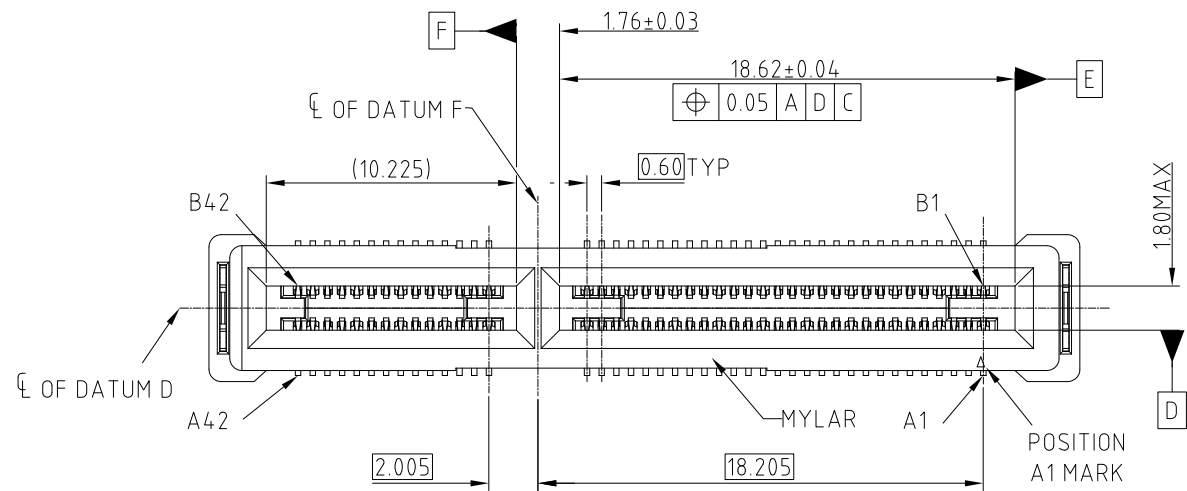


This document is the property of Amphenol Corporation and is delivered on the express condition that it is not to be disclosed, reproduced or used, in whole or in part, for manufacture or sale by anyone other than Amphenol Corporation without its prior consent, & that no right is granted to disclose or to use any information in this document.

CUSTOMER DRAWING

REVISIONS

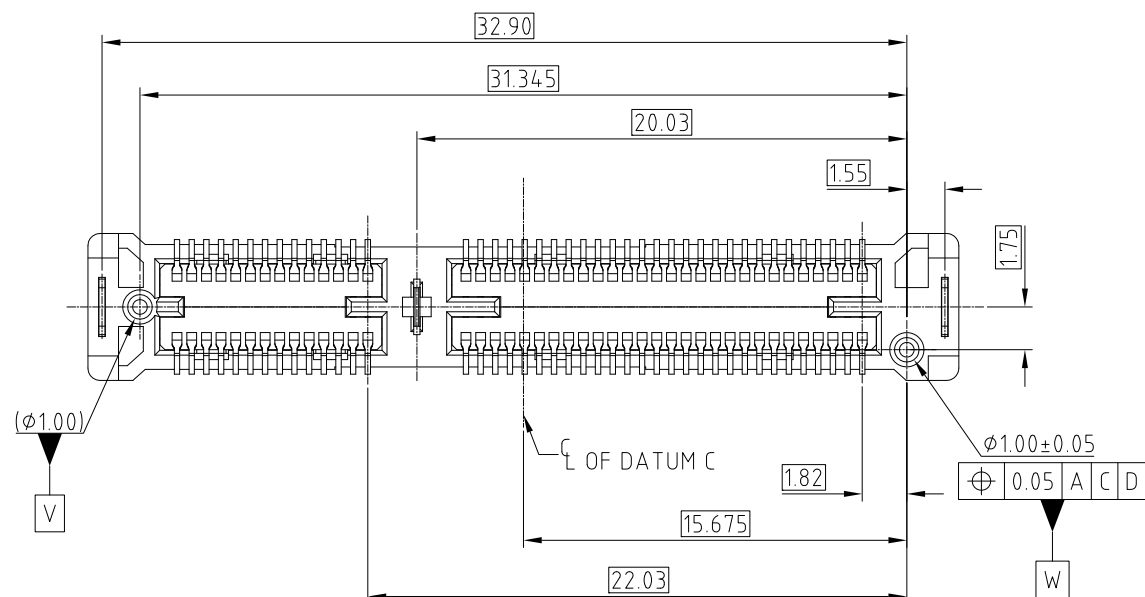
SYM	ECN	DESCRIPTION	DATE	APPROVED
4	CDXXXX	IMPROVED THE HOUSING ROBUST	Nov.10,2017	
5	CDXXXX	ADD AIC MATING CARD SPECIFICATION	May.21,2018	
6	CDXXXX	ADD PICK UP CAP	Aug.15,2018	
7	CDXXXX	UPDATED BY SFF TA 1002 V1.1.3	Nov.05,2018	
8	CDXXXX	CHANGE THE CAP TO MYLAR	Dec.18,2018	



NOTE:

- MATERIAL:**
HOUSING: HIGH TEMPERATURE THERMOPLASTIC BLACK UL94-V0
CONTACT: COPPER ALLOY
BOARDLOCK: COPPER ALLOY
- PLATING:**
CONTACT: MATING AREA: SEE PLATING SEPC OVER 1.27-2.54 UM NICKEL UNDERPLATED
SOLDER AREA: 1.27 MIN TIN OVER 1.27-2.54 UM NICKEL UNDERPLATED
BOARDLOCK: 1.27 MIN TIN OVER 1.27-2.54UM NICKEL UNDERPLATED
- ELECTRICAL PERFORMANCE:**
RATED CURRENT : 1.1A/PIN UP TO 12PINS
LLCR:30mΩ MAX, DELTA 15 mΩ.
INSULATION RESISTANCE: 1000MΩ MIN
- DURABILITY:200 CYCLES.**
- MATERIAL SHOULD BE FULFILLED AMPHEONL SPEC# S-SN-002 AND S-SN-004.**
- ORDERING PN SYSTEM:ME100841010101X**

- PLATING SPEC
- 0.76um Au
 - 0.38um Au
 - GOLD FLASH
 - PdNi 0.76um +GF



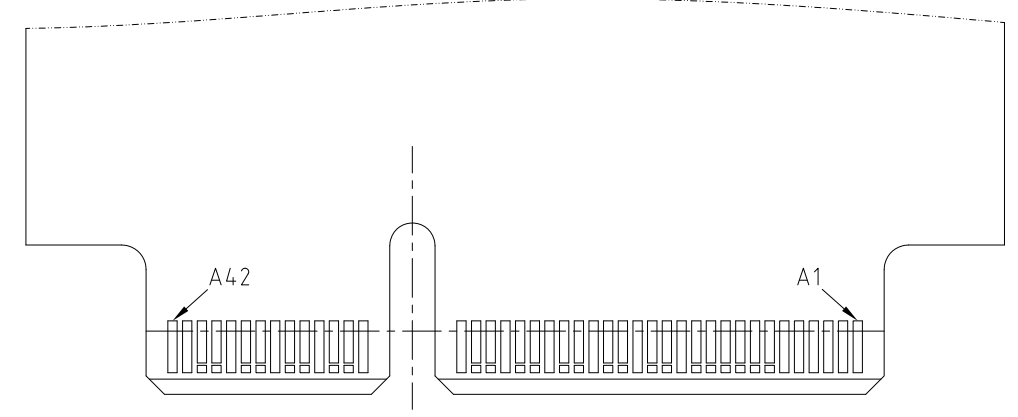
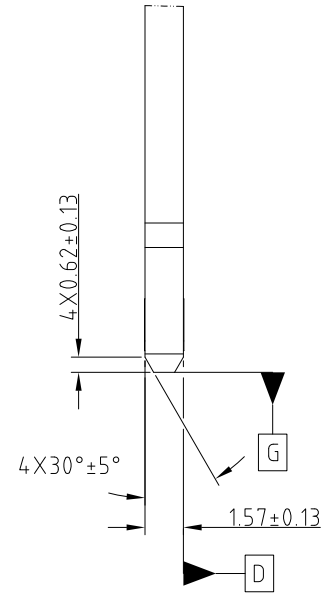
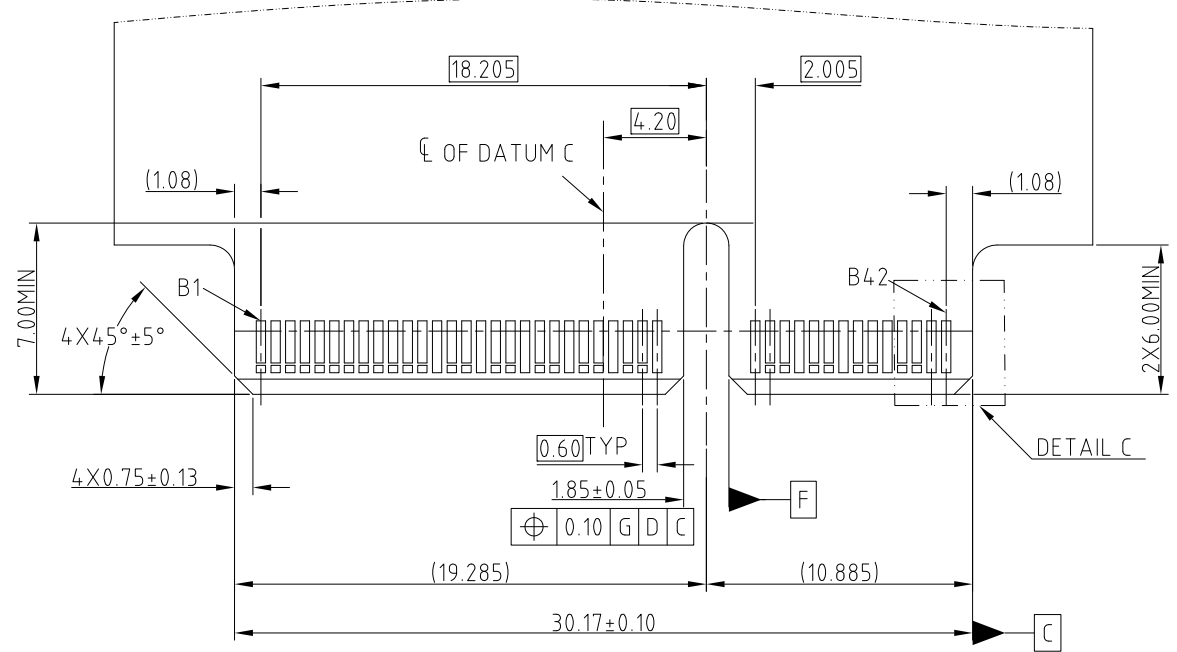
PROPOSAL DRAWING

UNLESS OTHERWISE SPECIFIED TOLERANCES		APPROVAL		DATE	Amphenol		
	U.S.	METRIC	DRAWN	Rocky	Dec.18,2018	TITLE MINI COOL EDGE CONNECTOR 84P V/T 0.6MM PITCH SMT	
.X	+/-	0.25	CHECKED	Ly.Yi	Dec.18,2018		SIZE A3
.XX	+/-	0.20	APPROVED				
.XXX	+/-	0.15	DRAWING FILE : INTERNAL\DRAWING\ME\C ME100841010101X			REV. 8	
FRACTIONS +/-		5°	REMOVE SHARP EDGES			SCALE NONE	
ANGLES +/-			ANGLE OF PROJECTION			SHEET 1 OF 2	
FOR MATERIALS AND FINISHES SEE NOTES		DIMENSIONS					
		—U.S.—	INCHES				
		(METRIC)	(mm)				

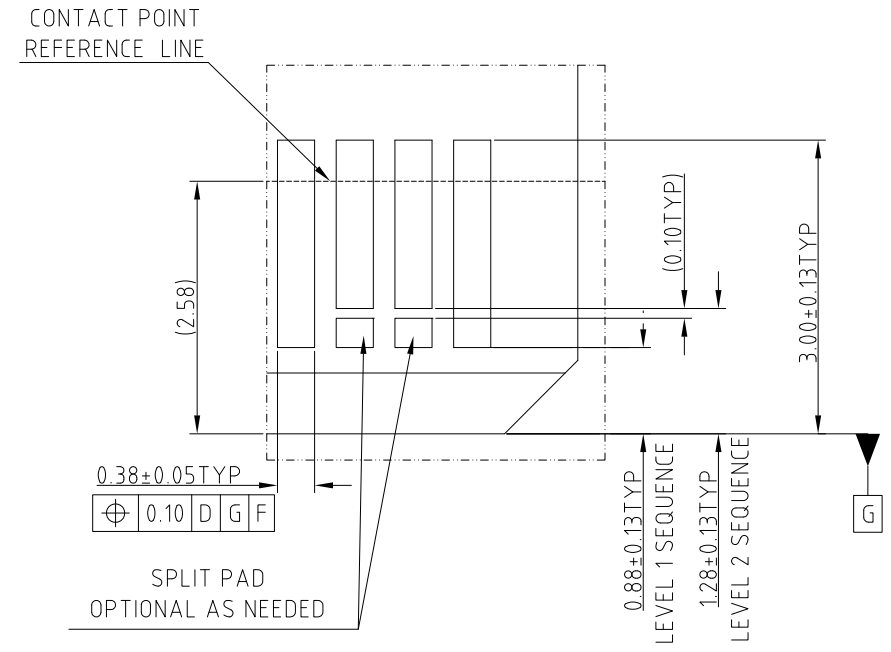
This document is the property of Amphenol Corporation and is delivered on the express condition that it is not to be disclosed, reproduced or used, in whole or in part, for manufacture or sale by anyone other than Amphenol Corporation without its prior consent, & that no right is granted to disclose or to use any information in this document.

CUSTOMER DRAWING

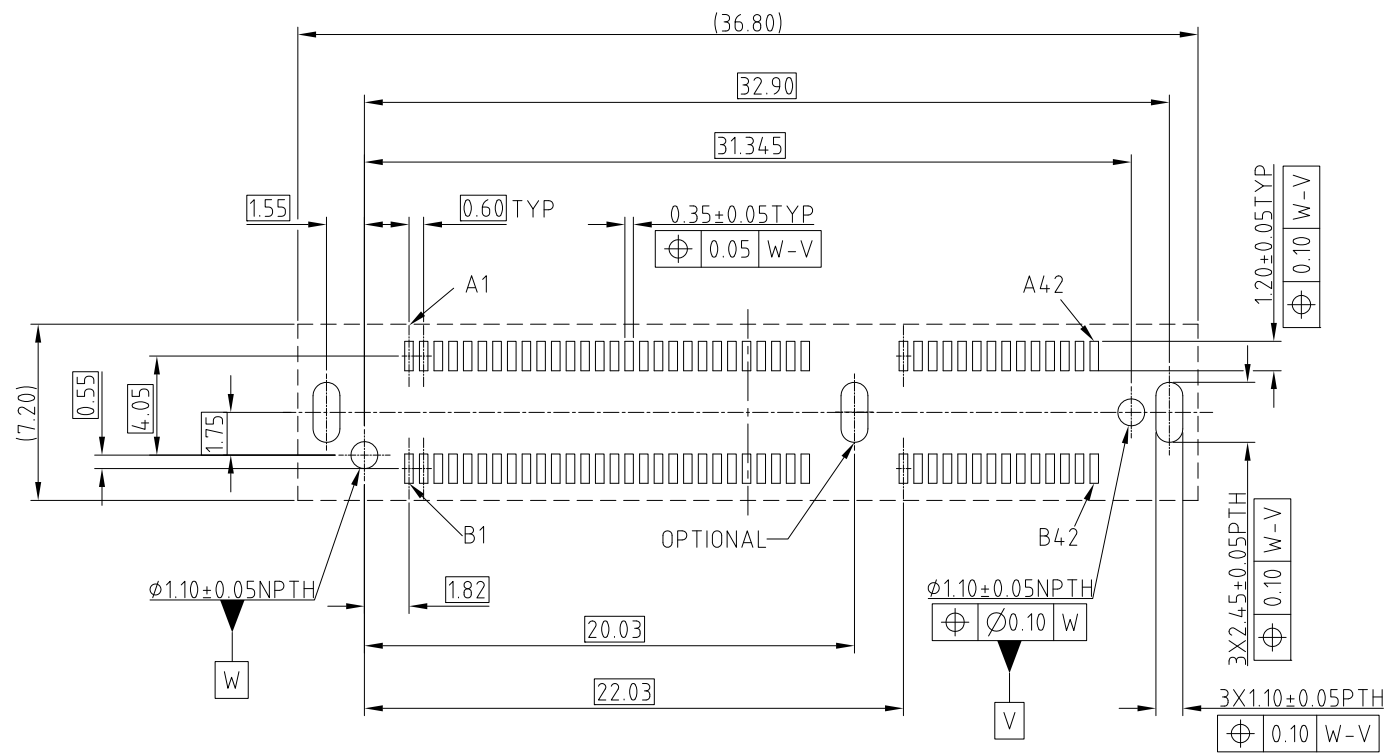
REVISIONS				
SYM	ECN	DESCRIPTION	DATE	APPROVED
		SEE SHEET 1		



RECOMMENDED AIC MATING CARD



DETAIL C
SCALE 4:1



RECOMMENDED FOOTPRINT

PROPOSAL DRAWING

UNLESS OTHERWISE SPECIFIED TOLERANCES		APPROVAL		DATE		Amphenol	
U.S. METRIC		DRAWN Rocky		Dec.18,2018			
.X +/-	0.25	CHECKED Ly.Yi		Dec.18,2018		TITLE MINI COOL EDGE CONNECTOR 84P V/T 0.6MM PITCH SMT	
.XX +/-	0.20	APPROVED					
.XXX +/-	0.15	DRAWING FILE :		INTERNAL\DRAWING\ME\ C ME100841010101X		SIZE DRAWING NO.	
FRACTIONS +/-	5°	REMOVE SHARP EDGES		ANGLE OF PROJECTION		A3 C ME100841010101X	
ANGLES +/-		DIMENSIONS		SCALE		REV. 8	
FOR MATERIALS AND FINISHES SEE NOTES		—U.S.— INCHES		NONE		SHEET 2 OF 2	
		(METRIC) (mm)					