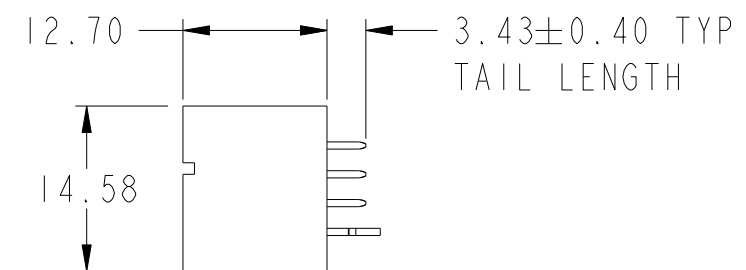
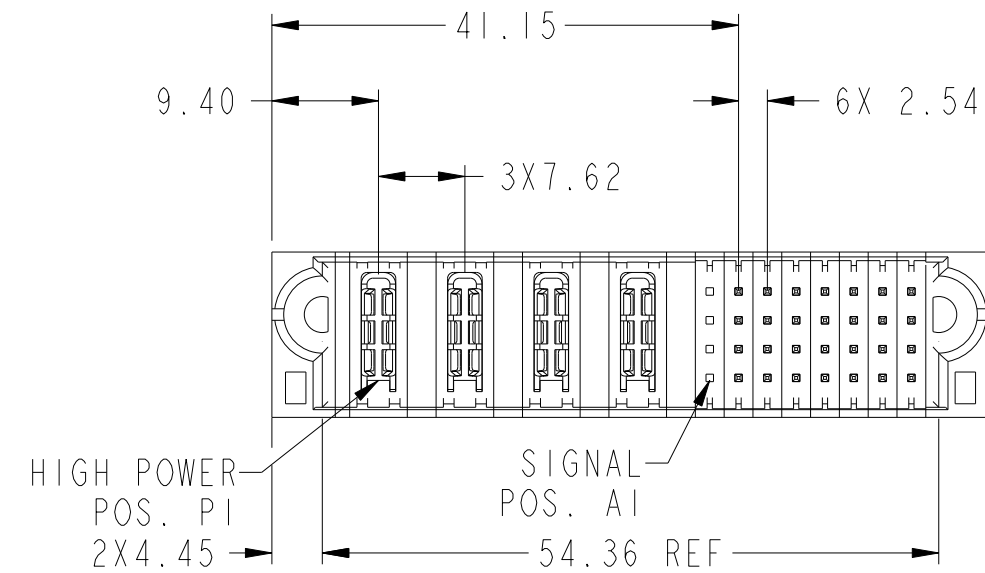
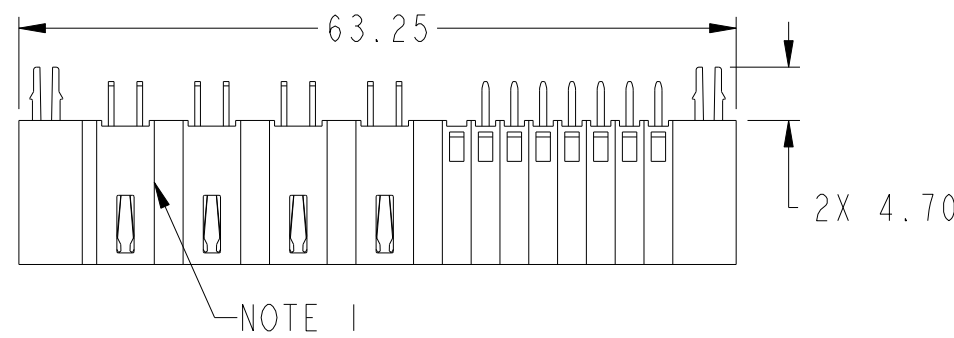
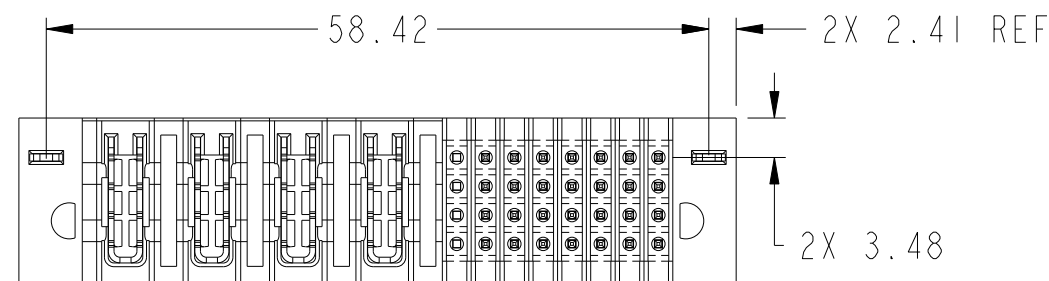


PART NUMBER SEE SHEET 2



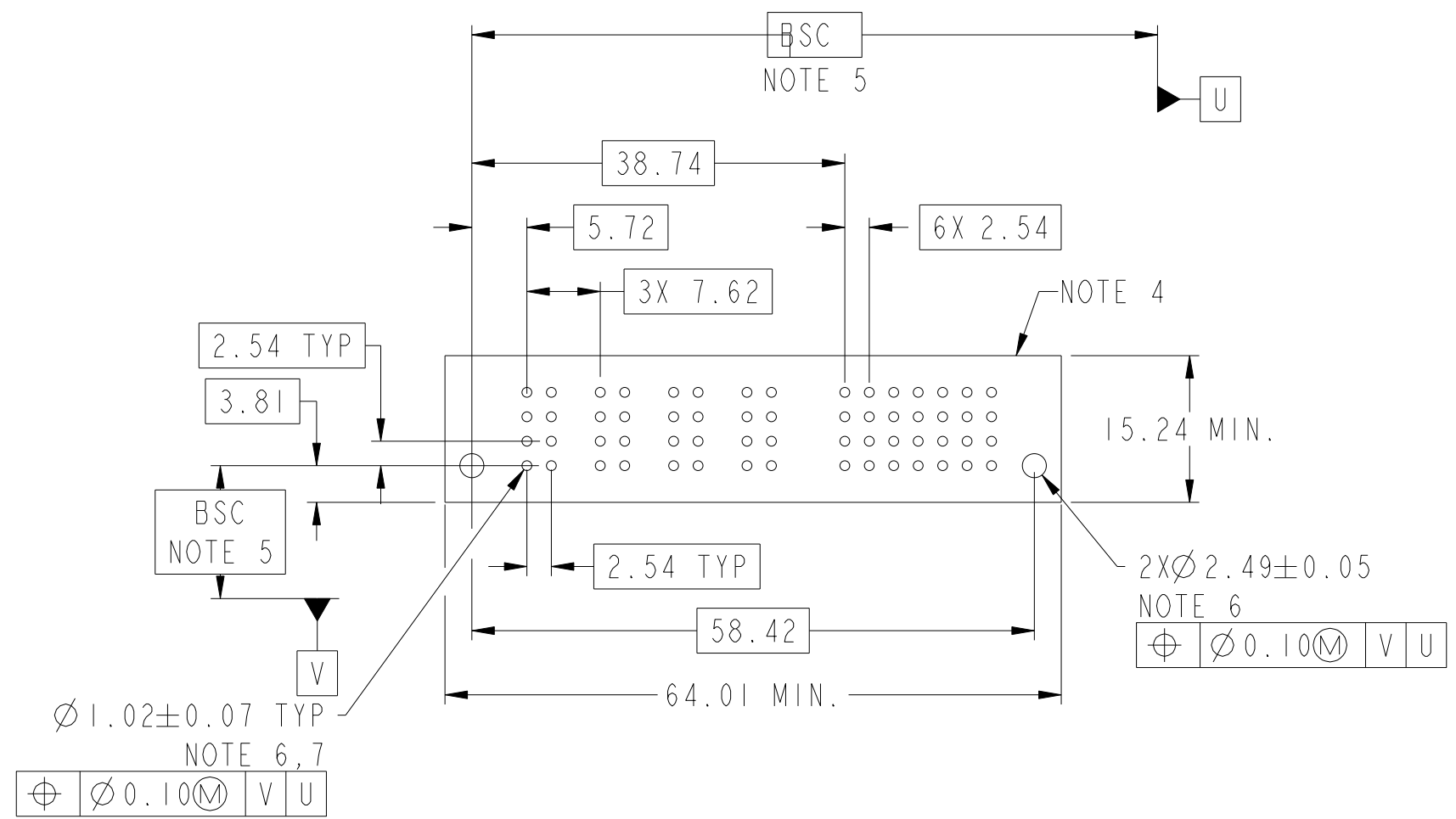
Amphenol
FCi

© 2016 AFci

spec ref		dr	Sunny2 Liu	2017/04/28	projection 	MM ←→	size	A3	scale	3:2		
tolerance std		eng	Sunny2 Liu	2017/05/12			ecn no	-				
ISO 406 ISO 1101		chr	Fancy Zhang	2017/05/12			rel level	Released				
TOLERANCES UNLESS OTHERWISE SPECIFIED		appr	Pei-Ming Zheng	2017/05/12	product family	PwrBlade+						
surface	linear		0.X	±0.5	Amphenol FCi	title	4ACP + 32S		dwg no	10106120-4008002	rev	A
			0.XX	±0.25			VT STB PLUG					
			0.XXX	±0.10								
ISO 1302	angular		0°	±2°	cat. no.	Product - Customer Drw		sheet 1 of 3				

PRODUCT NO.	ROWS	HIGH POWER				SIGNAL										
		E1	P1	P2	P3	P4	1	2	3	4	5	6	7	8	E2	
10106120-4008002LF	DCBA						X	E	E	E	E	E	E	E	E	

CODE	DESCRIPTION
E	MFBL SIGNAL CONTACT
HI	STD HIGH POWER CONTACT
HA	METAL HOLD DOWN
X	OMITTED



Amphenol
FCi

© 2016 AFCI

spec ref	dr	Sunny2 Liu	2017/04/28	projection	MM	size	A3	scale	3:2
tolerance std	eng	Sunny2 Liu	2017/05/12		← →	ecn no	-	rel level	Released
ISO 406 ISO 1101	chr	Fancy Zhang	2017/05/12						
surface	linear	0.X	±0.5	product family	PwrBlade+	dwg no	10106120-4008002	rev	A
		0.XX	±0.25						
ISO 1302	angular	0°	±2°	cat. no.	Product - Customer Drw	sheet 2 of 3			

**Amphenol
FCi**

4ACP + 32S
VT STB PLUG

Product - Customer Drw

10106120-4008002

A

NOTES:

- 1) PRODUCT MARK:
PART NUMBER AND DATE CODE TO BE MARKED ON THIS SURFACE .
THE MARK CAN BE OMITTED IF THERE IS NOT ENOUGH SPACE ON THIS SURFACE.
- 2) MATERIALS:
-HOUSING : HIGH TEMP THERMOPLASTIC WITH GLASS FIBER, UL94V-0, BLACK.
-POWER CONTACT : HIGH CONDUCTIVITY COPPER ALLOY.
-SIGNAL CONTACT : COPPER ALLOY.
- 3) PLATING SPECIFICATION : 10116351
- 4) DENOTES CONNECTOR KEEP OUT ZONE.
- 5) DATUM AND BASIC DIMENIONS ARE ESTABLISHED BY CUSTOMER.
- 6) ALL HOLE DIAMETERS ARE FINISHED HOLE SIZES.
- 7) 1.15+/-0.025MM DRILLED HOLE PLATED WITH 0.00762MM MIN SN
OVER 0.0254-0.0762MM CU PLATING TO ACHIEVE A 1.02+/-0.07MM HOLE.
- 8) THE HOUSING WILL WITHSTAND EXPOSURE TO 265 °C PEAK TEMPERATURE
FOR 10 SECONDS IN A WAVE SOLDER APPLICATION.
- 9) THIS PRODUCT MEETS EUROPEAN UNION DIRECTIVES AND OTHER COUNTRY
REGULATIONS AS DESCRIBED IN GS-47-0004.
- 10) PRODUCT SPECIFICATION : GS-12-658.
APPLICATION SPECIFICATION : GS-20-141.
PRODUCT PACKAGE SPECIFICATION: GS-14-1502.

Amphenol
FCi

© 2016 AFCI

spec ref		dr	Sunny2 Liu	2017/04/28	projection	MM	size	A3	scale	3:2		
tolerance std		eng	Sunny2 Liu	2017/05/12		←→	ecn no		-			
ISO 406 ISO 1101		chr	Fancy Zhang	2017/05/12			rel level		Released			
TOLERANCES UNLESS OTHERWISE SPECIFIED		appr	Pei-Ming Zheng	2017/05/12	product family		PwrBlade+					
surface	linear	0.X	±0.5		Amphenol FCi	title	4ACP + 32S		dwg no	10106120-4008002	rev	A
		0.XX	±0.25				VT STB PLUG					
	0.XXX	±0.10										
ISO 1302	angular	0°	±2°		cat. no.	Product - Customer Drw		sheet 3 of 3				