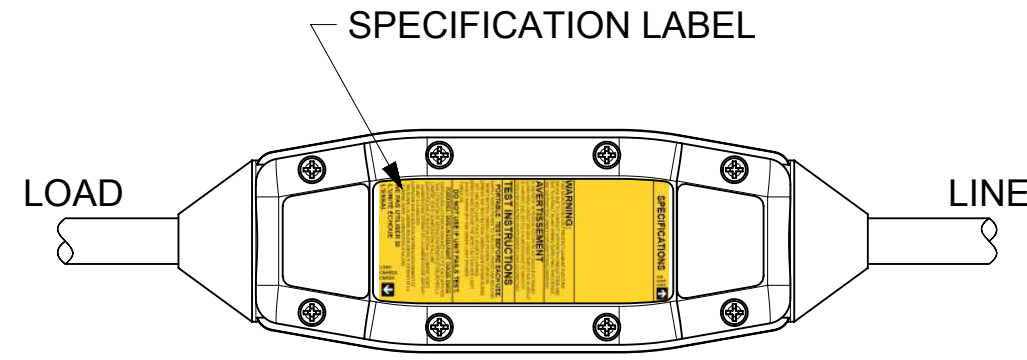
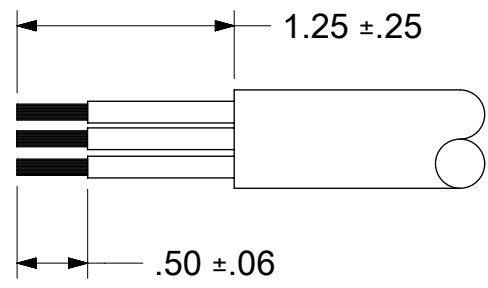
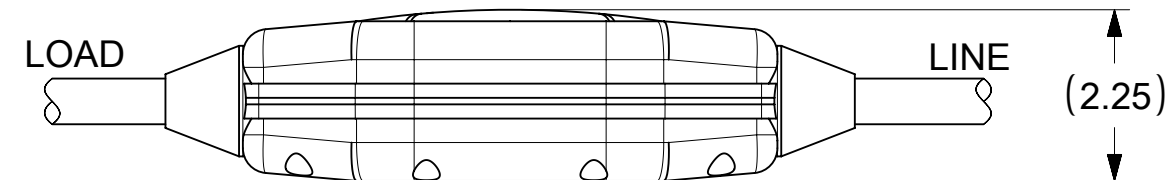
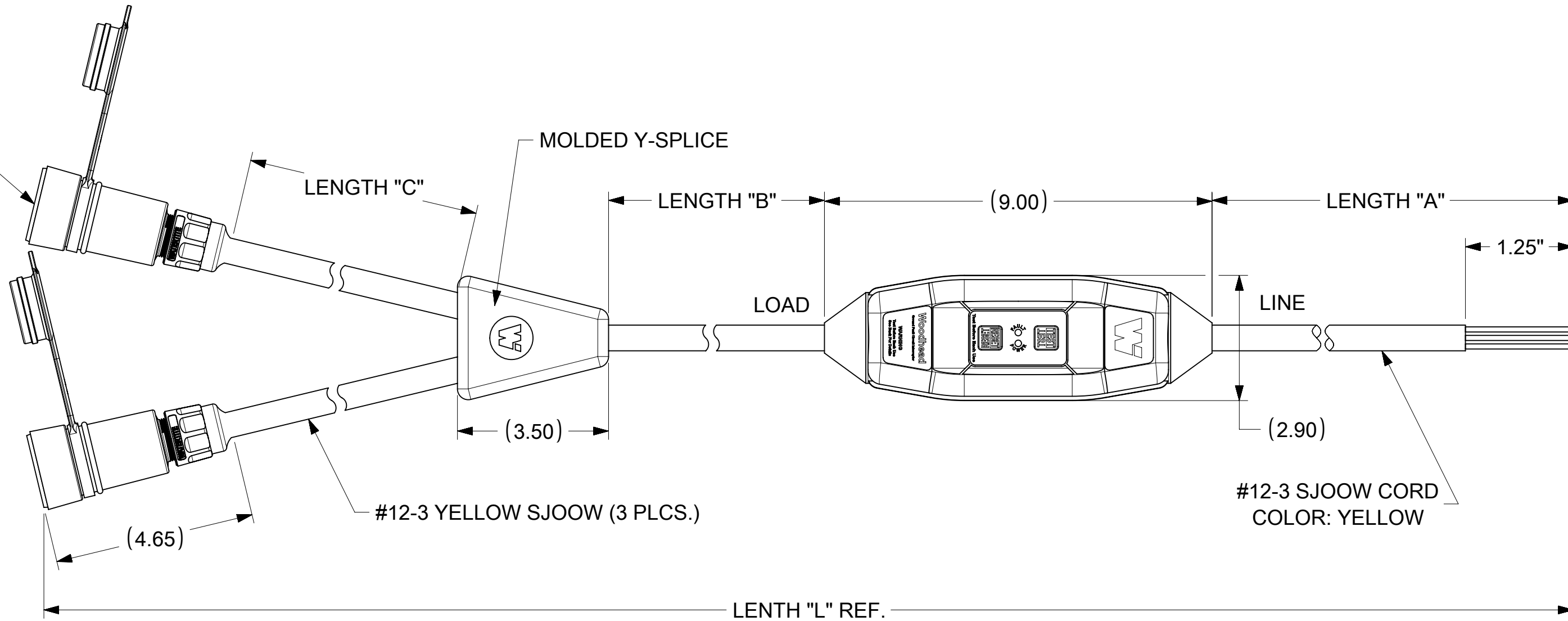


CORD PREPARATION



NEMA 5-20
WATERTITE
WET LOCATION
CONNECTOR
PART NO. 15W33
COLOR: YELLOW



TECHNICAL

AGENCY APPROVAL: UL
 RATED SUPPLY VOLTAGE: 120 VAC
 RATED CURRENT: UP TO 20 AMPS
 RESET TYPE: MANUAL
 OPERATING FREQUENCY: 60 Hz
 TYPE: CLASS A
 GROUND TRIP CURRENT: 5mA +/- 1mA
 OVERLOAD CURRENT: 120 AMPS, 50% INDUCTIVE
 INSULATION VOLTAGE: 1,500 VRMS - 1 MINUTE
 ENDURANCE OPERATIONS: 3000 OPERATIONS
 ENCLOSURE: TYPE 4X, IP69, IP69K

MATERIAL NO.	ENGINEERING NO.	LENGTH "L"	LENGTH "A"	LENGTH "B"	LENGTH "C"	POWER-UP	LINE PLUG	LOAD CONNECTORS
1301530279	20052-Y-20MH	22 FT & 6 IN	20FT	6 IN	6 IN	MANUAL	N/A	15W33
1301530283	20052-Y-30MH	32 FT & 6 IN	30FT	6 IN	6 IN	MANUAL	N/A	15W33
1301530284	20052-Y-45MH	47 FT & 6 IN	45FT	6 IN	6 IN	MANUAL	N/A	15W33
1301530285	20052-Y-60MH	62 FT & 6 IN	60FT	6 IN	6 IN	MANUAL	N/A	15W33
1301530286	20052-Y-2MH	4 FT & 6 IN	2FT	6 IN	6 IN	MANUAL	N/A	15W33

FUNCTIONAL SYMBOLS FA = 0 FE = 0 FP = 0	THIS DRAWING CONTAINS INFORMATION THAT IS PROPRIETARY TO MOLEX ELECTRONIC TECHNOLOGIES, LLC AND SHOULD NOT BE USED WITHOUT WRITTEN PERMISSION	SCALE INCH NTS	CURRENT REV DESC: NEW SALES DRAWING CREATED	
	GENERAL TOLERANCES (UNLESS SPECIFIED) ANGULAR TOL ± °	EC NO: 723836	DRWN: VASUTHKARP 2022/08/01	
DIVISIONAL SYMBOLS 4 PLACES ± 3 PLACES ± 2 PLACES ± 1 PLACE ± 0 PLACES ±	DRAFT WHERE APPLICABLE MUST REMAIN WITHIN DIMENSIONS	THIRD ANGLE PROJECTION	DRWING SERIES C-SIZE 130153	PRODUCT CUSTOMER DRAWING
DOCUMENT NUMBER SD-130153-0279		DOC TYPE PSD	DOC PART 001	REVISION D
DOCUMENT STATUS P1	RELEASE DATE 2023/01/13 20:53:18	MATERIAL NUMBER SEE TABLE	CUSTOMER GENERAL MARKET	SHEET NUMBER 1 OF 1