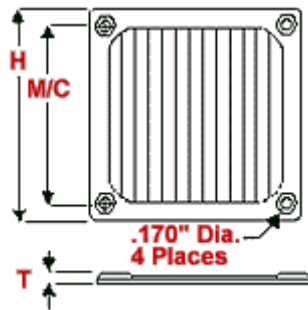


FAN ACCESSORIES	Qualtek ELECTRONICS CORPORATION Fan-S Division
------------------------	--

Aluminum & Stainless Steel Fan Filters - 06 Series

These tested and proven filters provide maximum airflow with effective filtering. Mill, irridite and stainless steel finishes are offered to enhance EMI/RFI shielding as well as an anodized finish for esthetic purposes. The tightly woven corrugated mesh screen is encased in a formed aluminum frame built for ruggedness and durability. The filters are designed to fit any standard 60mm - 2 1/2", 80mm - 3 1/8", 92mm - 3 5/8" and 120mm - 4 1/2" tube axial fan. The units are easily washed in a solvent or degreaser and can be mounted directly to the fan or to a panel.







Part Number	Use With Fan Size		Finish	Size (inches)		M/C	PDF Drawings
	mm	in		H (sq)	T		
60 mm - 2 1/2"							
06250-B	60	2 1/2	Anodized (Black)	2.36	.138	1.95	
06250-C	60	2 1/2	Irridite (Clear)	2.36	.138	1.95	
06250-M	60	2 1/2	Mill (No Finish)	2.36	.138	1.95	
06250-SS	60	2 1/2	Stainless Steel	2.36	.138	1.95	
80 mm - 3 1/8"							
06325-B	80	3 1/8	Anodized (Black)	3.30	.175	2.810	
06325-C	80	3 1/8	Irridite (Clear)	3.30	.175	2.810	
06325-M	80	3 1/8	Mill (No Finish)	3.30	.175	2.810	
06325-SS	80	3 1/8	Stainless Steel	3.30	.175	2.810	
92 mm - 3 5/8"							
06362-B	92	3 5/8	Anodized (Black)	3.62	.175	3.245	
06362-C	92	3 5/8	Irridite (Clear)	3.62	.175	3.245	
06362-M	92	3 5/8	Mill (No Finish)	3.62	.175	3.245	

06362-SS	92	3 5/8	Stainless Steel	3.62	.175	3.245	
120 mm - 4 1/2"							
06450-B	120	4 1/2	Anodized (Black)	4.68	.175	4.125	
06450-C	120	4 1/2	Irridite (Clear)	4.68	.175	4.125	
06450-M	120	4 1/2	Mill (No Finish)	4.68	.175	4.125	
06450-SS	120	4 1/2	Stainless Steel	4.68	.175	4.125	

Fan Accessories Cross Reference Guide 

 [Home](#) /  [Products](#) /  [Literature Request](#) /  [What's NEW](#)

Qualtek Electronics Meeting Global Demands with Design Solutions

7675 Jenther Drive  Mentor, Ohio 44060  (888) 258-3468  (440) 951-3300  FAX: (440) 951-7252

E-Mail mailbox@qualtekusa.com  Web: www.qualtekusa.com

Copyright © 2001 Qualtek Electronics Corporation. All rights reserved.

Updated: March, 2003