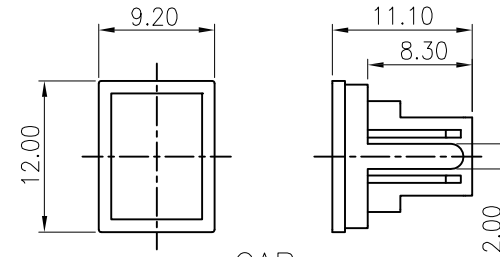
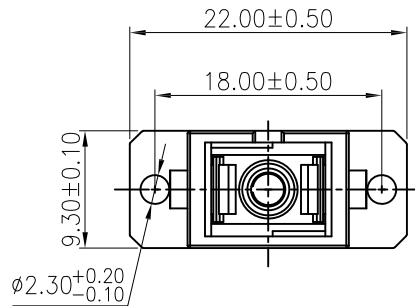
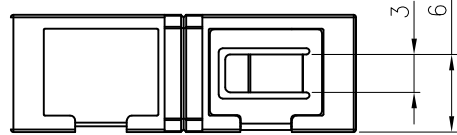
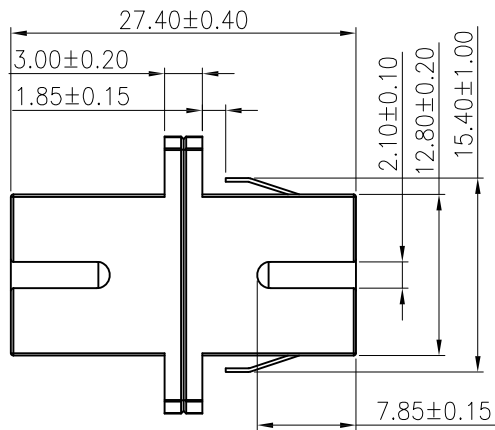
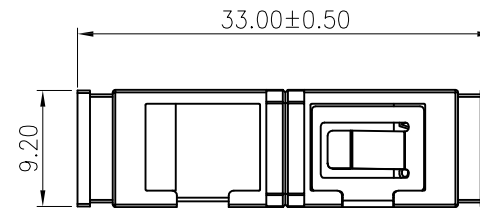


APPROVED: _____
 DATE: _____ TITLE: _____

Rev	AWO #	Description	Date	Appr
-		RELEASED	10/16/19	
A		UPDATE DRAWING	9/4/20	OW/JL



CAP



WITH CAP

SPECIFICATIONS:

Material:
 Housing: PBT, rated UL 94V-0, Color: See Chart
 Cap: PBT, rated UL 94V-0, Color: Black
 Sleeve: Zirconia ceramic
 Electrical:
 Standards of IEC, EIA/TIA, Taelcordia
 Repeatability: 500 min
 Insertion loss: 0.2dB max
 Interchangeability: 0.2dB max
 Repeatability: 0.2dB max
 Temperature Rating:
 Operating temperature: -40°C to +75°C
 Environmental:
 Lead free, RoHS compliant.



OPSA1ANNC1P1	SC/APC W/Panel Ground	PBT 7737C Green
OPSB1ANNC1P1	SC/PC W/Panel Ground	PBT 2184C Blue
OPSA1ANNC1N1	SC/APC W/O Panel Ground	PBT 7737C Green
OPSB1ANNC1N1	SC/PC W/O Panel Ground	PBT 2184C Blue
PART NUMBER	DESCRIPTION	Housing&Insert color

UNLESS OTHERWISE SPECIFIED
 ALL DIMENSIONS ARE MILLIMETERS
 TOLERANCES: EXCEPT AS NOTED
 MM ANGLE
 X. ± 0.35 X.* ± 2°
 .X ± 0.30 .X* ± 1°
 .XX ± 0.25 .XX* ± 0.5°
 .XXX ± 0.15 .XXX* ± 0.5°

**ADAM
 TECH
 INTERCONNECTS**

909 Rahway Avenue,
 Union, NJ 07083
 Phone: 908-687-5000
 Fax: 908-687-5710

APPROVALS		DATE
DRAWN	AY	10/16/19
CHECKED	AC	10/16/19
APPROVED		

TITLE			
SC TYPE ADAPTER, APC & PC, 1 PORTS LONG-EARED, WITH SC TWO TYPE DUST CAP			
SIZE	PART NO.	REV.	
X	OPSX1ANNC1X1	A	
REF:	S00005C	SCALE: NTS	SHEET 1 OF 1