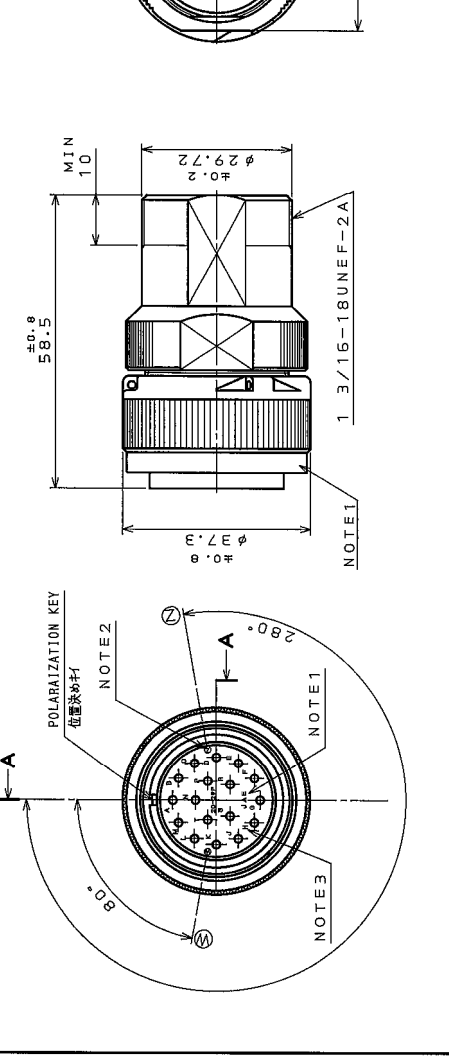
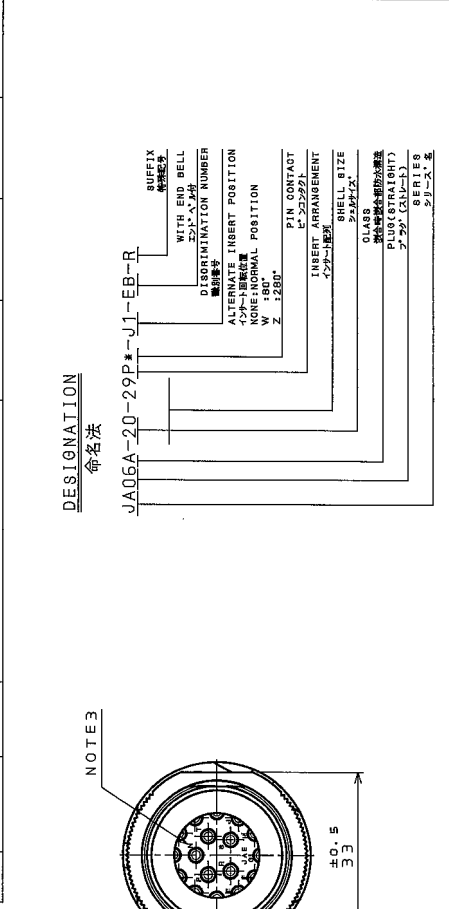


976501RS

(CON ANIMATED) 外観図

| | | | | | |
|------|-------------|--------|------|------|------|
| REV. | DATE | REV. | DATE | REV. | DATE |
| 2 | 22.May.2006 | 060183 | 送記変更 | | |
| | | | | | |
| | | | | | |
| | | | | | |
| | | | | | |
| | | | | | |
| | | | | | |

| | |
|-------------|-----------------------|
| DESIGNATION | JAO6A-20-29P*-J1-EB-R |
| 命名法 | |



| | | | | | |
|----|-----------------|----|------------------|----------------|---------------------------------------|
| 10 | ENDBELL | 1 | ALUMINUM ALLOY | ZINC PLATING | COLOR:BLACK SYSTEM INTERFERENCE COLOR |
| 9 | O-RING | 1 | SYNTHETIC RUBBER | | |
| 8 | RETAINING RING | 1 | COPPER ALLOY | ZINC PLATING | COLOR:BLACK SYSTEM INTERFERENCE COLOR |
| 7 | SET SCREW | 1 | STEEL | ZINC PLATING | COLOR:BLACK SYSTEM INTERFERENCE COLOR |
| 6 | REAR INSULATOR | 1 | SYNTHETIC RESIN | | COLOR : BROWN |
| 5 | FRONT INSULATOR | 1 | SYNTHETIC RESIN | | COLOR : BROWN |
| 4 | GASKET | 1 | SYNTHETIC RUBBER | | |
| 3 | PIN CONTACT | 17 | COPPER ALLOY | SILVER PLATING | |
| 2 | COUPLING NUT | 1 | ALUMINUM ALLOY | ZINC PLATING | COLOR:BLACK SYSTEM INTERFERENCE COLOR |
| 1 | BARREL | 1 | ALUMINUM ALLOY | ZINC PLATING | COLOR:BLACK SYSTEM INTERFERENCE COLOR |

| | | | | | |
|----|---------------------|------------|----------|-------------------|-----------------------------------------------------------|
| 符号 | 名称 | 数量 | 材料 | 仕様(ORIGINAL DATE) | 備考 |
| | DESCRIPTION | QTY. | MATERIAL | FINISH(SERIES) | REMARKS |
| | (SPECIFICATION) | | | 1:1 | 日本航空電子工業株式会社 JAPAN AVIATION ELECTRONICS INDUSTRY, LTD. |
| | (GENERAL TOLERANCE) | | | | |
| | 寸法(DIMENSION) | 角度(ANGLES) | | | |
| | .X ± 0.8 | X° ± | | | |
| | .X ± 0.4 | X' ± | | | |
| | .XX ± 0.1 | .XX ± 0.1 | | | |
| | .XXX ± | | | | |

SPECIFICATION

CONTACT : #16 PIN CONTACT 17 PIECES
 DIELECTRIC WITHSTANDING
 VOLTAGE : 2000VAC FOR ONE MINUTE
 INSULATION RESISTANCE : 5000MΩ MIN. (AT 500VDC)
 WATER RESISTANCE : 1m UNDERWATER, 24HOURS

仕様

コンタクト : #16ピンコンタクト 17本
 耐電圧 : 2000VAC
 絶縁抵抗 : 5000MΩ以上 (500VDCにて)
 防水性 : 水中1m 24時間

- △ NOTE1. COMPANY LOGO AND PART NUMBER APPEARS IN THE AREA SHOWN. HOWEVER, THE SUFFIX "A" SHALL NOT BE MARKED. IN THE AREA SHOWN.
- △ NOTE2. ALTERNATE INSERT POSITIONS ARE MARKED IN THE AREA SHOWN.
- △ NOTE3. CONTACT NUMBER APPEAR IN THE AREA SHOWN.

- 注1. 図示の位置に社名及び品名を表示する。但し、品名末尾の "A" は表示しない。
- 注2. 図示の位置にインサート回転角度記号を表示する。
- 注3. 図示の位置に端子No. を表示する。

