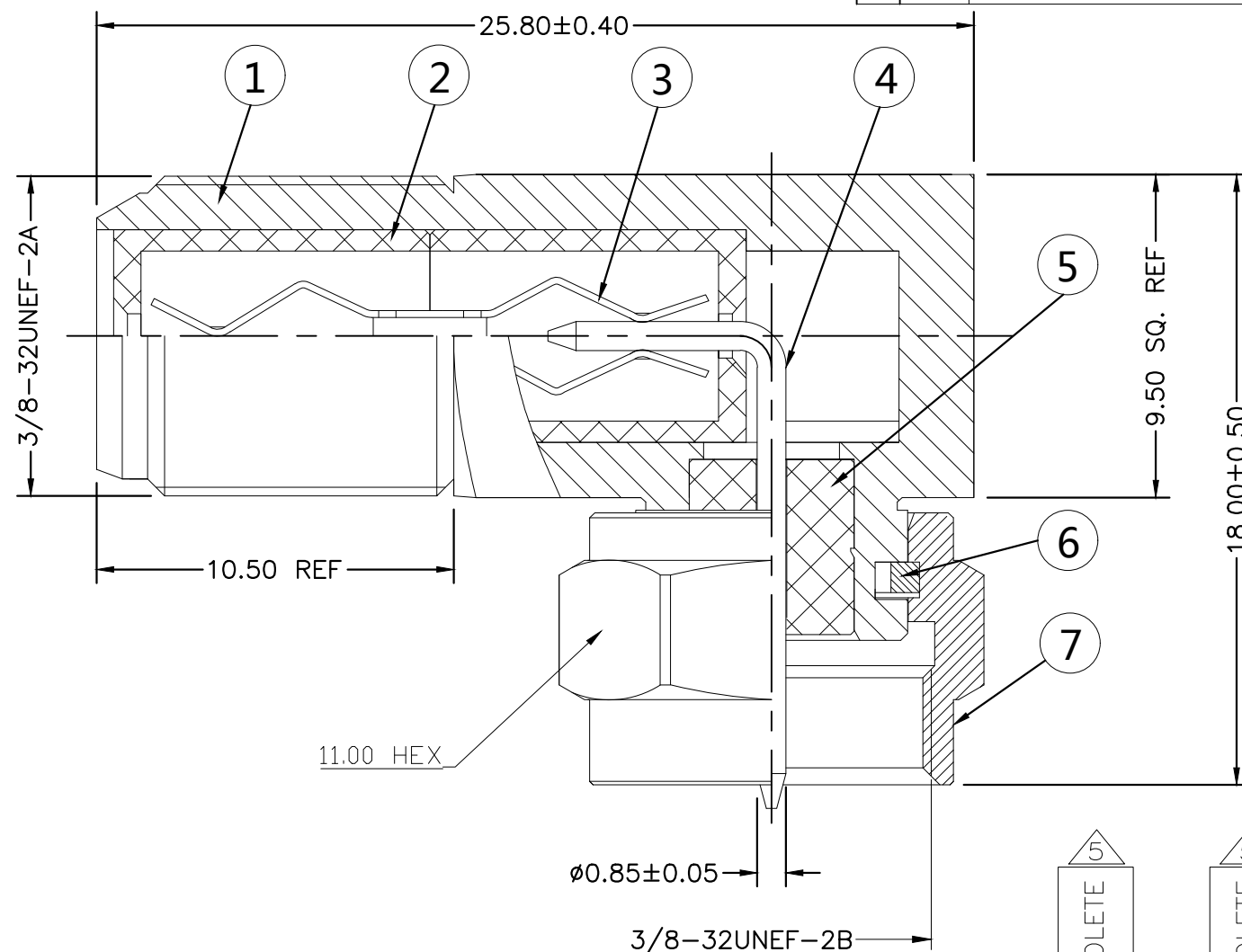


P	LTR	DESCRIPTION	DATE	DWN	APVD
	C1	REVISED PER ECR-20-014415	12OCT2020	RZ	RS

NOTES

- ① 100 TRAY PACK IN ACCORDANCE WITH AMP SPEC 107-3275
- ② SINGLE PACK IN ACCORDANCE WITH AMP SPEC 107-3275
- ③ 2.54μm Ni PLATING
- ④ 3.05μm TIN PLATING
- ⑤ OBSOLETE PARTS: OBSOLETE CIS STREAMLINING PER D.RENAUD/D.SINISI
- ⑥ PACKAGING TYPE:
50 pcs/bag , 5 bags/box



QTY	QTY PER ASSY	QTY PER ASSY	QTY PER ASSY	MATERIAL	DESCRIPTION	ITEM
1	1	1	1	BRASS	NUT	7
1	1	1	1	BRONZE	RETAIN RING	6
1	1	1	1	DELTRIN	INSULATOR	5
1	1	1	1	BRASS	CONTACT	4
1	1	1	1	BRONZE	CONTACT	3
1	2	1	1	POLYPROPYLENE	INSULATOR	2
1	1	1	1	BRASS	BODY	1
5--2	5--1	5--0				
⑥	②	①				

THIS DRAWING IS A CONTROLLED DOCUMENT.		DWN ANSON MA 17FEB09	STE TE Connectivity		
DIMENSIONS: mm		CHK RITA ZUO 17FEB09			
TOLERANCES UNLESS OTHERWISE SPECIFIED:		APVD BOB ZHAO 17FEB09	NAME F SERIES CONNECTOR ELBOW ADAPTOR JACK - PLUG		
0 PLC ± -		PRODUCT SPEC 108-112000	APPLICATION SPEC -		
1 PLC ± -		SIZE -	CAGE CODE A300779	DRAWING NO C-1634537	RESTRICTED TO -
2 PLC ± 0.2		WEIGHT 0.000000	SCALE NTS SHEET 1 OF 1 REV C1		
3 PLC ± -		CUSTOMER DRAWING			
4 PLC ± -					
ANGLES ± -					
FINISH -					