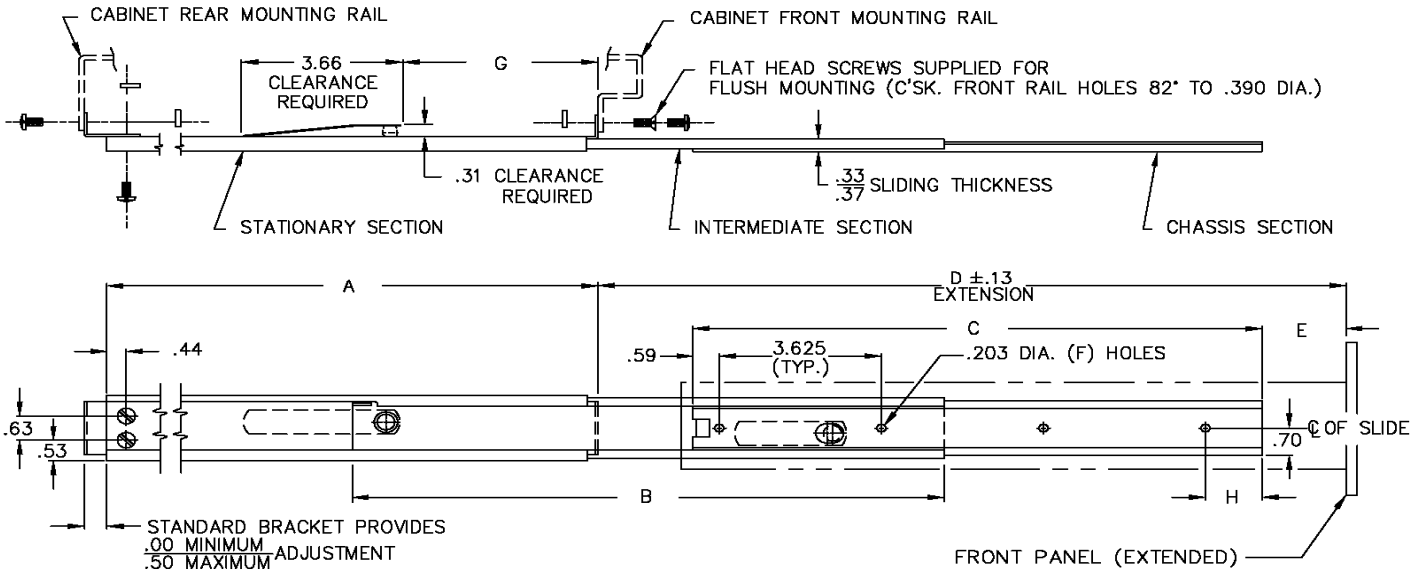
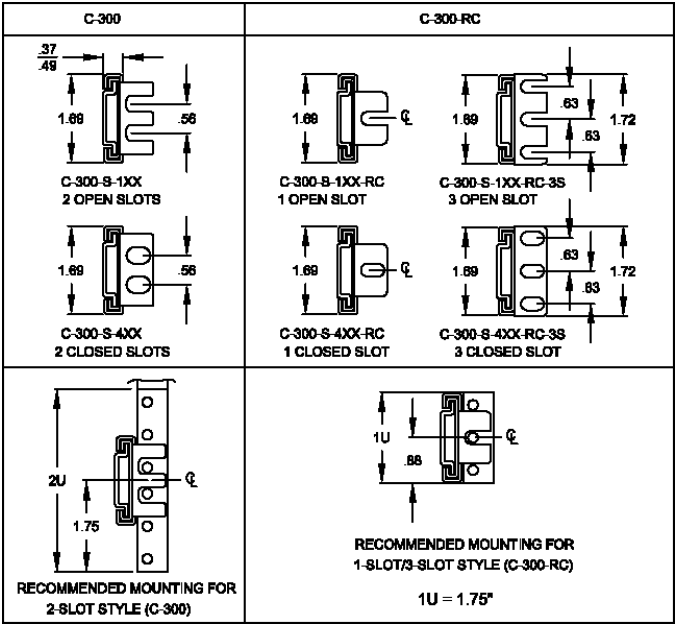
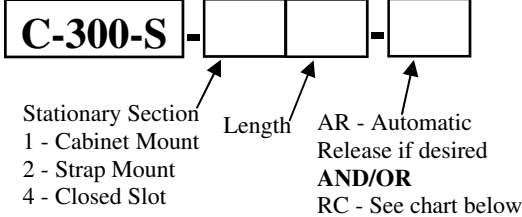


C-300-S Slide



Catalog Number	A	B	C	D (min)	D (max)	E (min)	E (max)	F	G	H	Load Capacity
C-300-S-110	10.00	9.25	8.63	11.00	11.00	0.13	0.13	3	2.31	0.78	95 LBS.
C-300-S-112	12.00	9.25	8.63	11.00	13.00	0.13	2.13	3	2.31	0.78	95 LBS.
C-300-S-114	14.00	13.25	12.63	15.00	15.00	0.13	0.13	4	4.31	1.16	90 LBS.
C-300-S-116	16.00	13.25	12.63	15.00	17.00	0.13	2.13	4	4.31	1.16	90 LBS.
C-300-S-118	18.00	13.25	12.63	15.00	19.00	0.13	4.13	4	4.31	1.16	90 LBS.
C-300-S-120	20.00	19.25	18.63	21.00	21.00	0.13	0.13	5	7.31	3.53	85 LBS.
C-300-S-122	22.00	19.25	18.63	21.00	23.00	0.13	2.13	5	7.31	3.53	85 LBS.
C-300-S-124	24.00	19.25	18.63	21.00	25.00	0.13	4.13	5	7.31	3.53	85 LBS.
C-300-S-126	26.00	25.25	24.63	27.00	27.00	0.13	0.13	7	10.31	2.28	80 LBS.
C-300-S-128	28.00	25.25	24.63	27.00	29.00	0.13	2.13	7	10.31	2.28	80 LBS.
C-300-S-130	30.00	25.25	24.63	27.00	31.00	0.13	4.13	7	10.31	2.28	80 LBS.

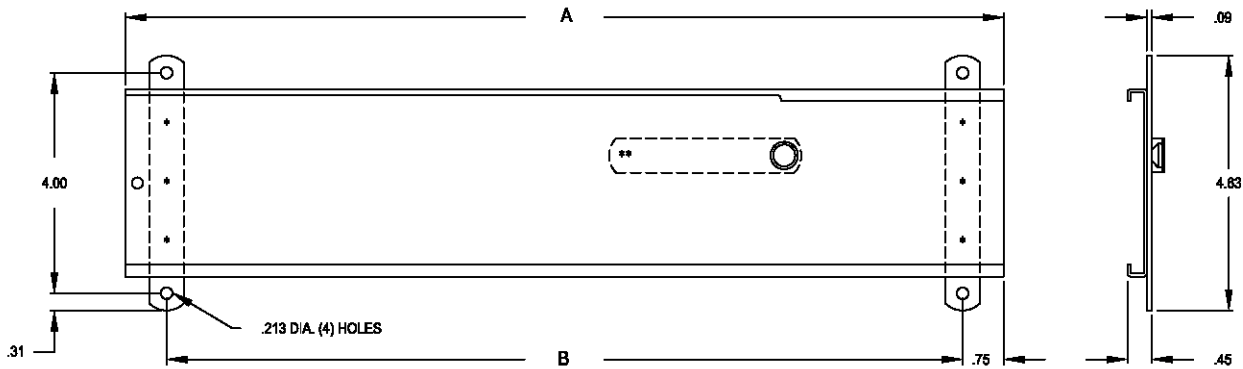
Order Numbering



Notes

1. Finish: All standard slides are coated with Poxylube™ dry film lubricant.
2. All standard slides are designed to lock-out in the extended position and are available with an optional automatic release if lock-out is not desirable.
3. Standard hardware packages include all the hardware necessary to mount your Chassis Trak® slides:
 - Rear mounting bracket (B-217 or B-161) included
 - Bar Nuts (CA8056-06-0017 or CA8056-06-0014)
 - #10-32 screws and keps nuts
4. All sliding members of the standard slide are made from cold rolled steel.
5. All Chassis Trak® solid bearing slides are supplied with a quick disconnect feature.
6. Optional mounting patterns, slide lengths and extensions are available.

C-230 Strap Mount

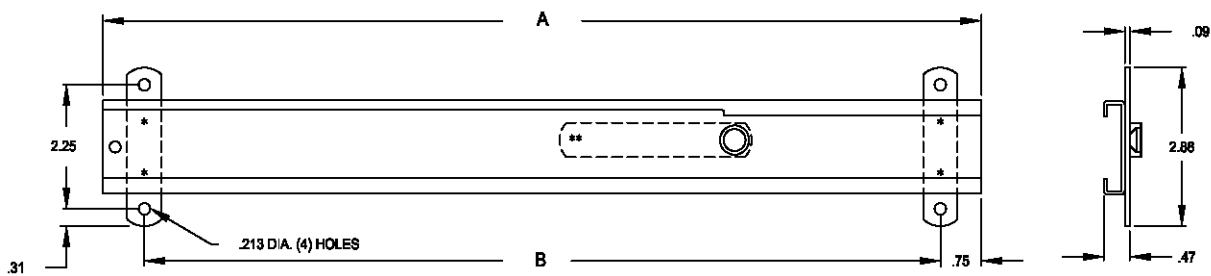


A	B
12.00	10.50
14.00	12.50
16.00	14.50
18.00	16.50
20.00	18.50
22.00	20.50
24.00	22.50

Notes

1. To order, specify **C-230-S-2-XX** see pages 14-15 for more information.
2. Strap mount slides are not designed to accommodate the standard EIA hole pattern.
3. All slides requires a .31" clearance behind the spring and button assembly for proper operation.

C-300 Strap Mount

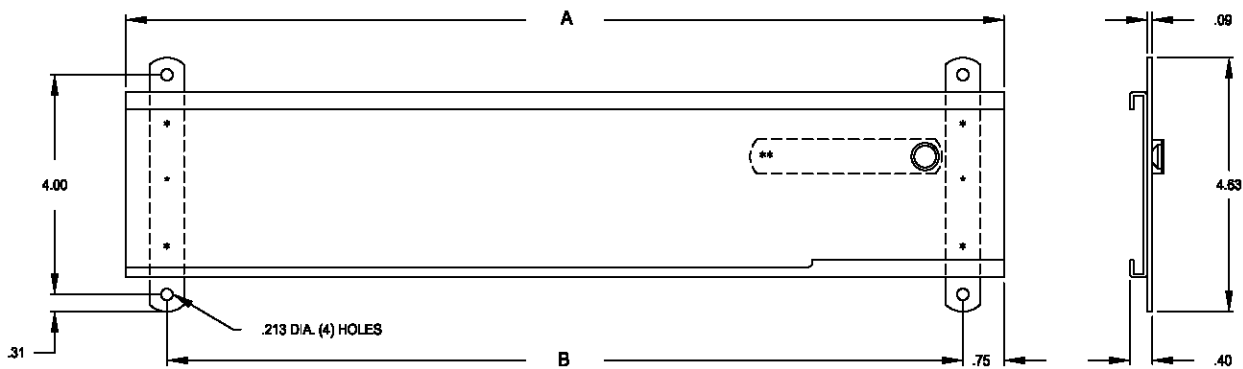


A	B
10.00	8.50
12.00	10.50
14.00	12.50
16.00	14.50
18.00	16.50
20.00	18.50
22.00	20.50
24.00	22.50
26.00	24.50
28.00	26.50
30.00	28.50

Notes

1. To order, specify **C-300-S-2-XX** see pages 16-17 for more information.
2. Strap mount slides are not designed to accommodate the standard EIA hole pattern.
3. All slides requires a .31" clearance behind the spring and button assembly for proper operation.

CTS Strap Mount



A	B
12.00	10.50
14.00	12.50
16.00	14.50
18.00	16.50
20.00	18.50
22.00	20.50
24.00	22.50

Notes

1. To order, specify **CTS-2-XX** see pages 18-19 for more information.
2. Strap mount slides are not designed to accommodate the standard EIA hole pattern.
3. All slides requires a .31" clearance behind the spring and button assembly for proper operation.

Matrix For Solid Bearing Slides & Appropriate Rear Mounting Brackets with Range of Extension

	B-217*	B-217-1.5	B-217-2	B-217-2.5	B-217-3	B-217-3.5	B-217-4	B-308	B-793
C-300-D	0 to .50	.25 to .75	.75 to 1.25	1.25 to 1.75	1.75 to 2.25	2.25 to 2.75	2.75 to 3.25	0 to 6.00	0 to 6.00
C-300-S	0 to .50	.25 to .75	.75 to 1.25	1.25 to 1.75	1.75 to 2.25	2.25 to 2.75	2.75 to 3.25	0 to 6.00	0 to 6.00
C-874	0 to .50	.25 to .75	.75 to 1.25	1.25 to 1.75	1.75 to 2.25	2.25 to 2.75	2.75 to 3.25		
C-3700	0 to .50	.25 to .75	.75 to 1.25	1.25 to 1.75	1.75 to 2.25	2.25 to 2.75	2.75 to 3.25		

	B-161*	B-161-1.5	B-161-2	B-161-2.5	B-161-3	B-161-3.5	B-161-4	B-309	B-389
C-300-D-RC	0 to .50	.25 to .75	.75 to 1.25	1.25 to 1.75	1.75 to 2.25	2.25 to 2.75	2.75 to 3.25	0 to 6.00	
C-300-S-RC	0 to .50	.25 to .75	.75 to 1.25	1.25 to 1.75	1.75 to 2.25	2.25 to 2.75	2.75 to 3.25	0 to 6.00	
C-300-S-RC-3S									0 to 6.00
C-874-RC	0 to .50	.25 to .75	.75 to 1.25	1.25 to 1.75	1.75 to 2.25	2.25 to 2.75	2.75 to 3.25	0 to 6.00	
C-3700-RC	0 to .50	.25 to .75	.75 to 1.25	1.25 to 1.75	1.75 to 2.25	2.25 to 2.75	2.75 to 3.25	0 to 6.00	

Note brackets are made from 16 gauge C.R.S. — Standard finish: clear zinc commercial plating

*Supplied with standard slides

