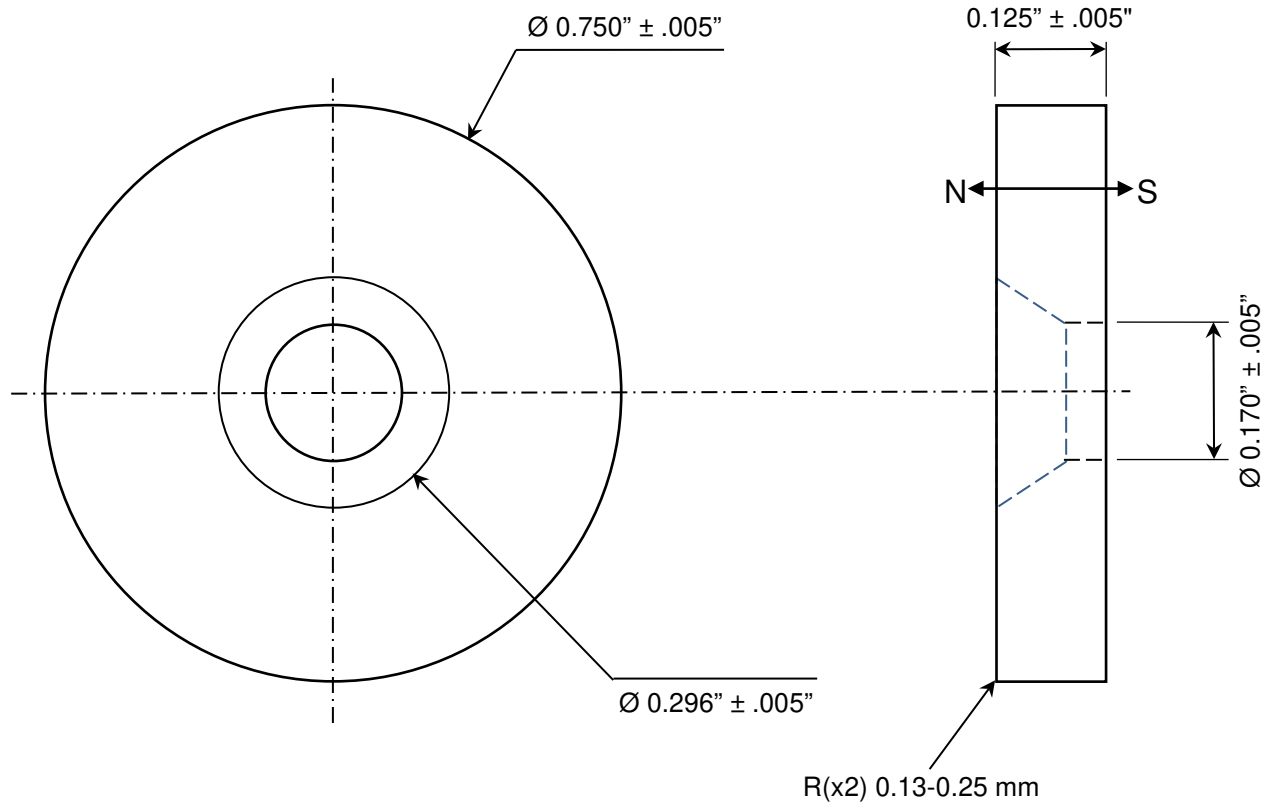
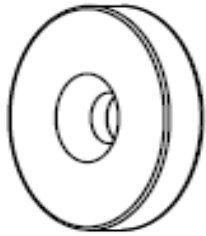


**CONFIDENTIAL & PROPRIETARY INFORMATION**  
 This document contains Confidential and Proprietary Information of Alliance LLC, and all design, manufacturing, reproduction, use, and sale rights of such information are expressly reserved



1. MAGNET PROPERTIES PER N42:

Br: 12,800-13,400 G  
 Hc: 10,800-11,400 Oe  
 Hci:  $\geq 12,000$  Oe  
 BH<sub>(max)</sub>: 40-43 MGOe

2. NICKEL PLATED

3. MAGNETIZATION THROUGH .125"



Rev	Date	By

**TOLERANCES**  
 (UNLESS OTHERWISE NOTED)

DECIMAL      METRIC  
 X.XX =  $\pm .01$     X.X =  $\pm .25$   
 X.XXX =  $\pm .005$    X.XX =  $\pm .13$

**ANGLES**  
 $\pm .5^\circ$

DO NOT SCALE DRAWING

<b>Alliance LLC</b>		
1450 CLARK DRIVE, VALPARAISO, INDIANA 46385		
DESCRIPTION: RARE EARTH HOLDING MAGNET		
<b>P/N: YB-155-1</b>		<b>TAPERED DISC</b>
MATERIAL: NdFeB	Dwg by: BT	REV LEVEL: A
COATING: Ni-Cu-Ni	Apr by: DV	Apr. Dated: 03-14-2020