

SACC-CI-M12MST-4P SMD R32 - Contact carrier



1411989

<https://www.phoenixcontact.com/us/products/1411989>

Please be informed that the data shown in this PDF document is generated from our online catalog. Please find the complete data in the user documentation. Our general terms of use for downloads are valid.



Contact carrier, Power, 4-position, Plug, straight, M12, coding: T , PCB mounting, SMD, Alternative product in accordance with RoHS II without Exemption 6c (Pb <0.1%) item no.: 1238952

Your advantages

- For compact devices: transmit high power in a confined space
- Reduced mounting costs thanks to two-piece device connector
- Packaging available for automated pick and place assembly
- All common pin assignments and codings available
- Easy device integration thanks to mechanical port screw connections with threaded attachment, press-in contour or direct integration in the front plate

Commercial data

Item number	1411989
Packing unit	1 pc
Minimum order quantity	100 pc
Sales key	AB27
Product key	ABQBGP
GTIN	4046356992206
Weight per piece (including packing)	6.88 g
Weight per piece (excluding packing)	7.41 g
Customs tariff number	85366990
Country of origin	DE

Technical data

Notes

General	The electrical and mechanical data specified assume that the connector pair is correctly locked and mounted. If the connector is unlocked and if there is a danger of contamination, the connector must be sealed using a protective cap > IP54. Influences arising from litz wires, cables or PCB assembly must also be taken into consideration.
---------	--

Product properties

Product type	Contact insert
Sensor type	Power
Number of positions	4
Application	Power
Seal present	no
Shielded	no
Coding	T
Thread type	M12

Insulation characteristics

Overvoltage category	III
Degree of pollution	3

Electrical properties

Rated voltage in acc. with IEC 61076-2-101	630 V
Rated surge voltage	1.5 kV
Contact resistance	≤ 3 mΩ
Insulation resistance	≥ 100 MΩ
Nominal voltage U_N	63 V
Nominal current I_N	12 A

Interfaces

Signal type/category	Power
----------------------	-------

Material specifications

Flammability rating according to UL 94	V0
Contact material	CuZn
Contact surface material	Au
Contact carrier material	PA

Connector

Connection 1

Head design	Plug
Head cable outlet	straight

SACC-CI-M12MST-4P SMD R32 - Contact carrier



1411989

<https://www.phoenixcontact.com/us/products/1411989>

Head thread type	M12
Coding	T

Cable/line

Signal type/category	Power
----------------------	-------

Mechanical properties

Mechanical data

Insertion/withdrawal cycles	> 100
-----------------------------	-------

Environmental and real-life conditions

Ambient conditions

Degree of protection (when plugged in)	IP67 (correctly plugged in and locked)
Degree of protection	IP67 (correctly plugged in and locked) IP67, when plugged in
Ambient temperature (operation)	-40 °C ... 105 °C (Plug / socket) -55 °C ... 105 °C (without mechanical actuation)

Standards and regulations

M12

Standard designation	M12 connector
Standards/specifications	IEC 61076-2-111
Note	In line with

Mounting

Mounting type	PCB mounting
Connection method	SMD

Packaging specifications

Type of packaging	Belt
Delivery state	with assembly pad

SACC-CI-M12MST-4P SMD R32 - Contact carrier

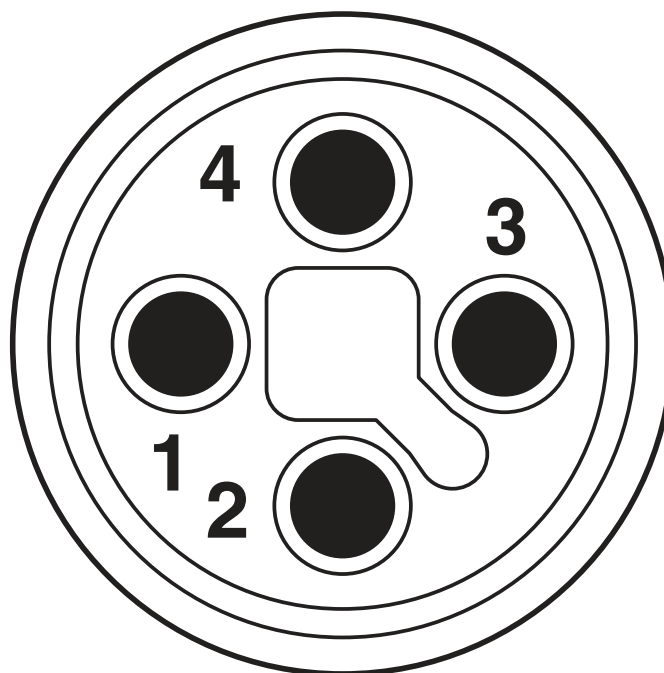
1411989

<https://www.phoenixcontact.com/us/products/1411989>



Drawings

Schematic diagram



Connector pin assignment of M12 plug, 4-pos., T-coded, view of pin side

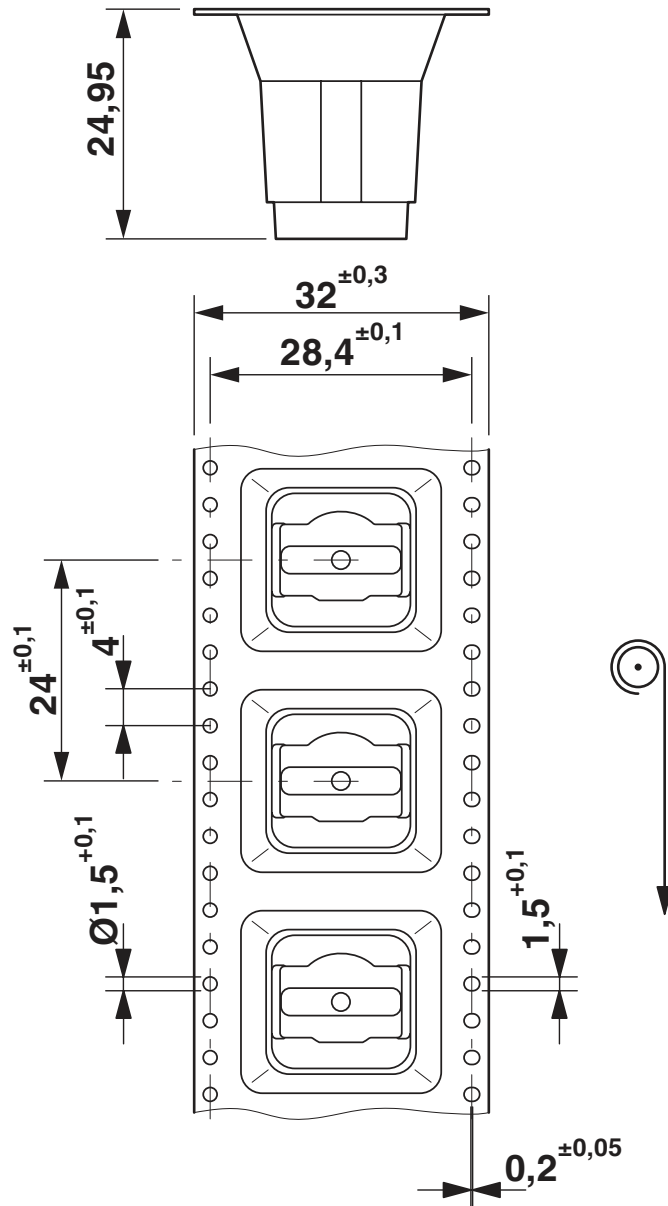
SACC-CI-M12MST-4P SMD R32 - Contact carrier



1411989

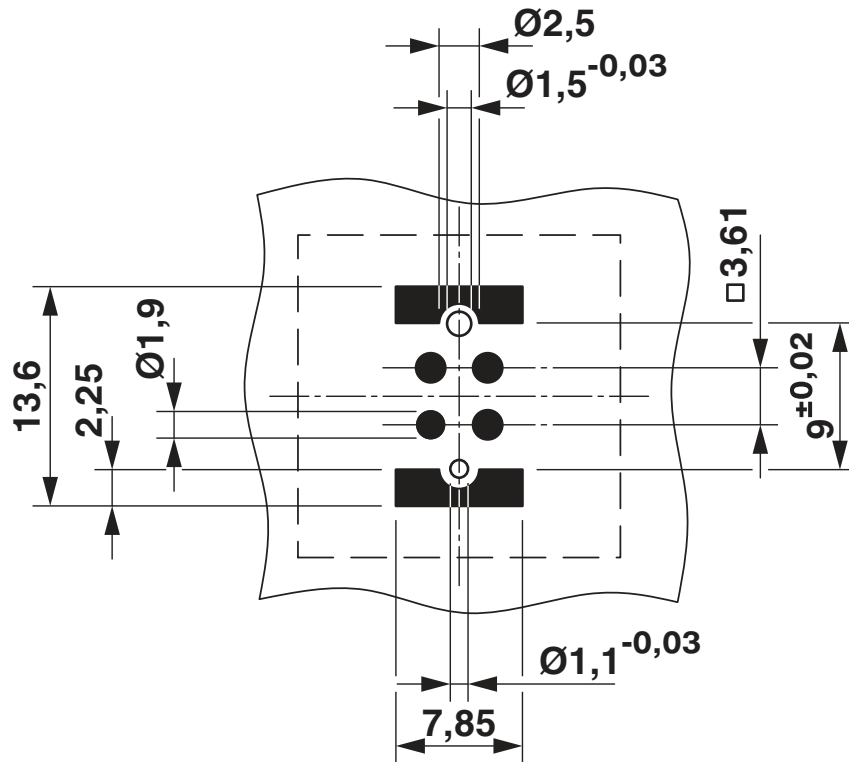
<https://www.phoenixcontact.com/us/products/1411989>

Dimensional drawing



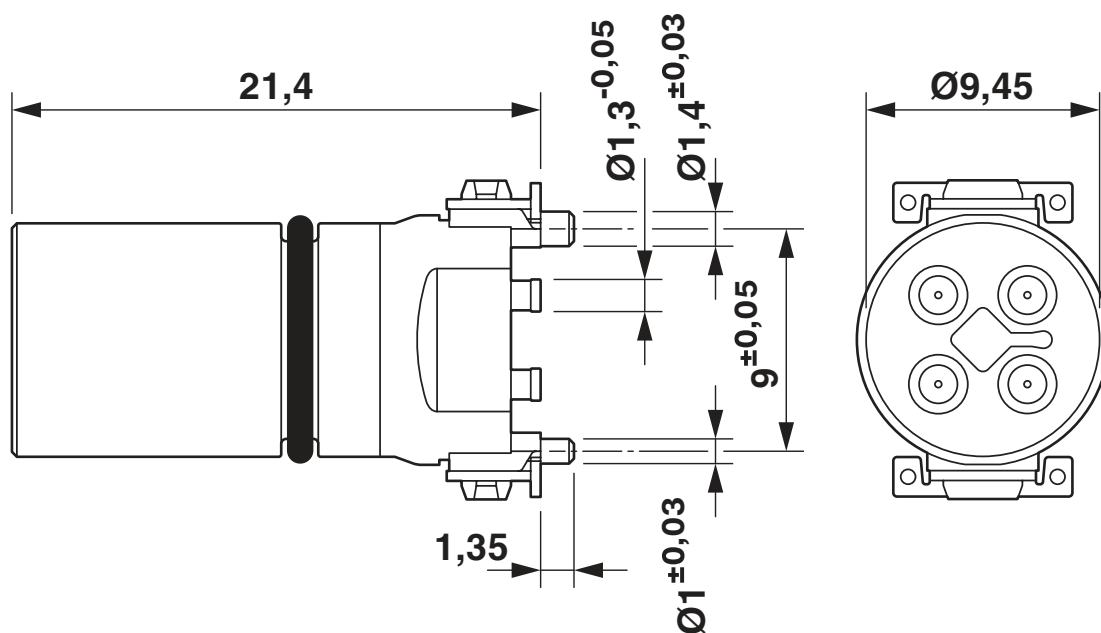
SMD tape-on-reel packing

Drilling plan/solder pad geometry



Soldering pad geometry

Dimensional drawing



Dimensional drawing

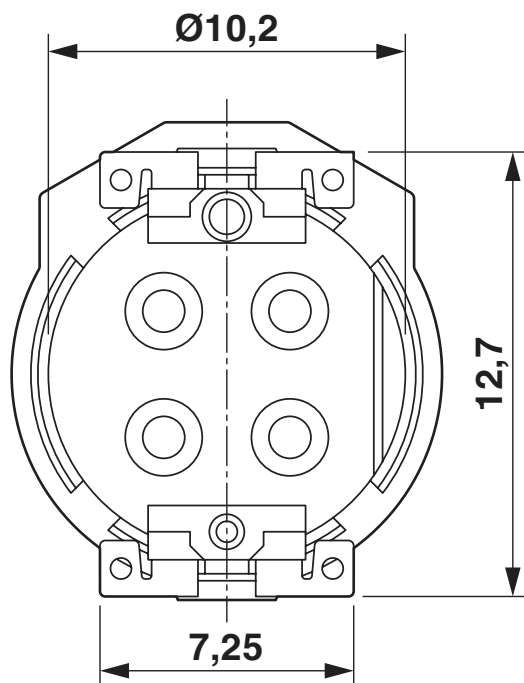
SACC-CI-M12MST-4P SMD R32 - Contact carrier

1411989

<https://www.phoenixcontact.com/us/products/1411989>



Dimensional drawing



View of solder side

SACC-CI-M12MST-4P SMD R32 - Contact carrier





1411989

<https://www.phoenixcontact.com/us/products/1411989>

Approvals

To download certificates, visit the product detail page: <https://www.phoenixcontact.com/us/products/1411989>

 cUL Recognized Approval ID: E468743-20190917				
	Nominal voltage U_N	Nominal current I_N	Cross section AWG	Cross section mm^2
	63 V	8 A	-	-

 UL Recognized Approval ID: E468743-20190917				
	Nominal voltage U_N	Nominal current I_N	Cross section AWG	Cross section mm^2
	63 V	10 A	-	-

 EAC Approval ID: B.01687	
---	--

cULus Recognized	
-------------------------	--

SACC-CI-M12MST-4P SMD R32 - Contact carrier



1411989

<https://www.phoenixcontact.com/us/products/1411989>

Classifications

ECLASS

ECLASS-11.0	27440102
ECLASS-12.0	27440116
ECLASS-13.0	27440116

ETIM

ETIM 8.0	EC002635
----------	----------

UNSPSC

UNSPSC 21.0	39121400
-------------	----------

SACC-CI-M12MST-4P SMD R32 - Contact carrier



1411989

<https://www.phoenixcontact.com/us/products/1411989>

Environmental product compliance

REACH SVHC	Lead 7439-92-1
China RoHS	Environmentally Friendly Use Period = 50 years
	For information on hazardous substances, refer to the manufacturer's declaration available under "Downloads"

SACC-CI-M12MST-4P SMD R32 - Contact carrier



1411989

<https://www.phoenixcontact.com/us/products/1411989>

Accessories

SACC-BP-M-M12/M15-6-SMD - Housing screw connection

1414000

<https://www.phoenixcontact.com/us/products/1414000>



Housing screw connection, Rear mounting, Alternative product in accordance with RoHS II without Exemption 6c (Pb <0.1%) item no.: 1239053

SACC-BP-M-M12/M15-6-SMD SCO - Housing screw connection

1414002

<https://www.phoenixcontact.com/us/products/1414002>



Housing screw connection, Plug, M12-SPEEDCON, Rear mounting, M15 x 1, Alternative product in accordance with RoHS II without Exemption 6c (Pb <0.1%) item no.: 1239054

SACC-CI-M12MST-4P SMD R32 - Contact carrier

1411989

<https://www.phoenixcontact.com/us/products/1411989>



SACC-FP-M-M12/M14 SMD - Housing screw connection

1412078

<https://www.phoenixcontact.com/us/products/1412078>



Housing screw connection, Plug, M12, Front mounting, M14 x 1, Alternative product in accordance with RoHS II without Exemption 6c (Pb <0.1%) item no.: 1238970

SACC-FP-M-M12/PRESS SMD - Housing screw connection

1412080

<https://www.phoenixcontact.com/us/products/1412080>



Housing screw connection, Plug, M12, Front mounting

SACC-CI-M12MST-4P SMD R32 - Contact carrier



1411989

<https://www.phoenixcontact.com/us/products/1411989>

SACC-BP-M-M12-SMD PP - Housing screw connection

1107993

<https://www.phoenixcontact.com/us/products/1107993>



Housing screw connection, Plug, M12-Push-Pull, Rear mounting, SMD,
Alternative product in accordance with RoHS II without Exemption 6c (Pb <0.1%)
item no.: 1308006

SACC-FP-M-M12-SMD PP - Housing screw connection

1107999

<https://www.phoenixcontact.com/us/products/1107999>



Housing screw connection, Front mounting, SMD

Phoenix Contact 2023 © - all rights reserved
<https://www.phoenixcontact.com>

Phoenix Contact USA
586 Fulling Mill Road
Middletown, PA 17057, United States
(+717) 944-1300
info@phoenixcon.com