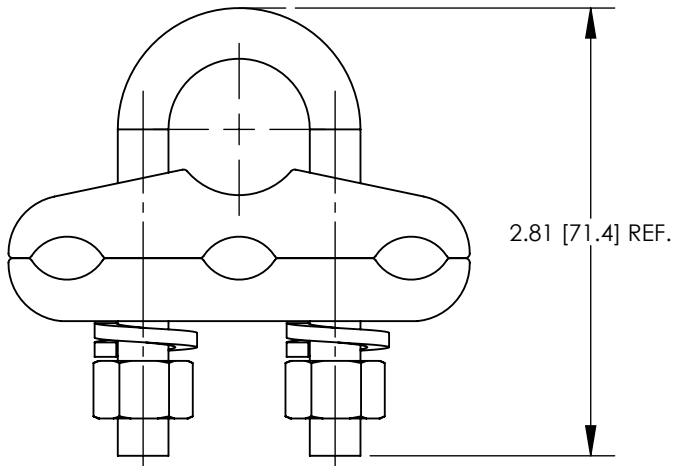
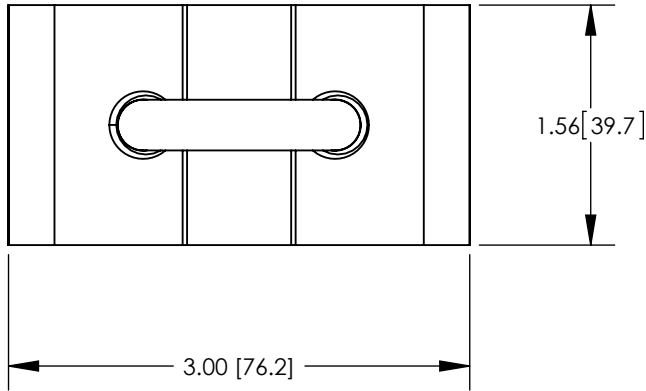


THIS COPY IS PROVIDED ON A RESTRICTED BASIS AND IS NOT TO BE USED IN ANY WAY DETRIMENTAL TO THE INTERESTS OF PANDUIT CORP.

NOTES:

1. MATERIAL:
BODY: BRONZE (GUN METAL)
NUT/WASHER: PHOS. BRONZE
2. PARTS ARE cULus LISTED TO UL467 AS
GROUNDING & BONDING EQUIPMENT
3. RATED FOR DIRECT BURIAL
4. DIMENSIONS IN PARENTHESIS ARE MILLIMETERS.
5. PACKAGING QTY:
X = 10



PART NUMBER	DESCRIPTION	WIRE RANGE	PIPE SIZE	ROD SIZE
GPC3250-38-X	GROUND CLAMP CONNECTOR	2/0 SOL - 250 kcmil	3/8"	5/8" - 3/4"

REV	DATE	BY	CHK	APR	DESCRIPTION	ECN
00	9/13	JHNU	SRBI	RGB	DRAWING RELEASED	13J051AA-JC

TITLE		GROUND CLAMP (GPC3250-38-X) CUSTOMER DRAWING		
ITEM REVISION NAME	13J051AA/00			
DATASET FILE NAME	13J051AA-JC/00.SLDDRW			
UNLESS OTHERWISE SPECIFIED, DIMENSIONAL TOLERANCES ARE: IN [mm]		PANDUIT		
.X ±	.XXX ±			
.XX ± .2 [5.2]	ANGLES ±	SEE NOTES		
THIRD ANGLE PROJECTION				
DRAWN BY	DATE	CHK	SCALE	DRAWING NUMBER
JHNU	9/13	SRBI	NONE	13J051AA-JC
SHEET 1 OF 1				SIZE
				A