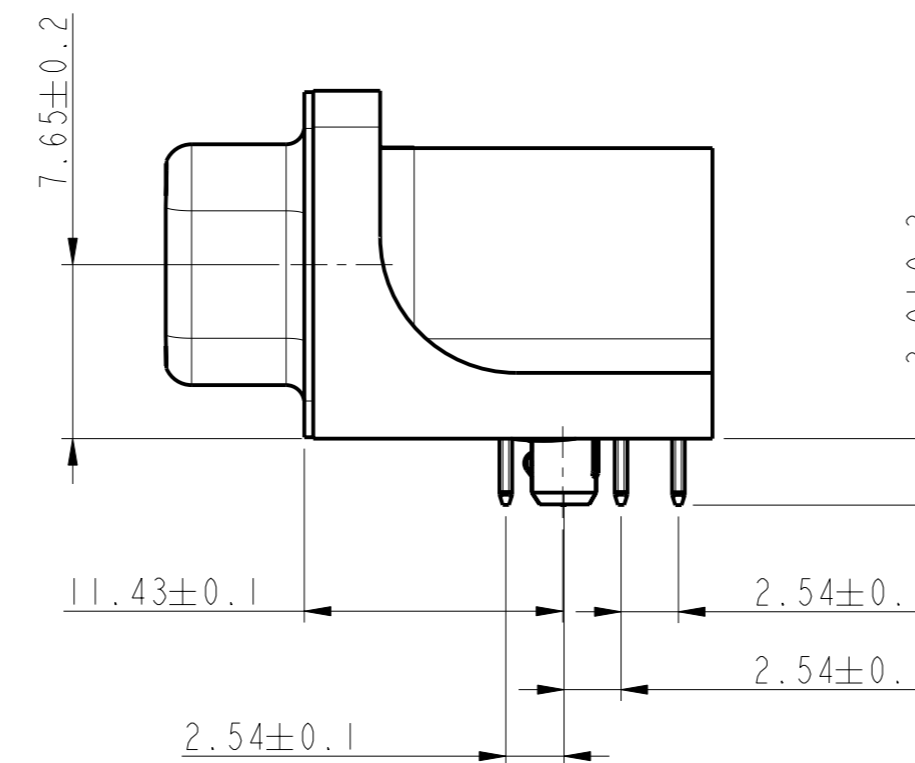
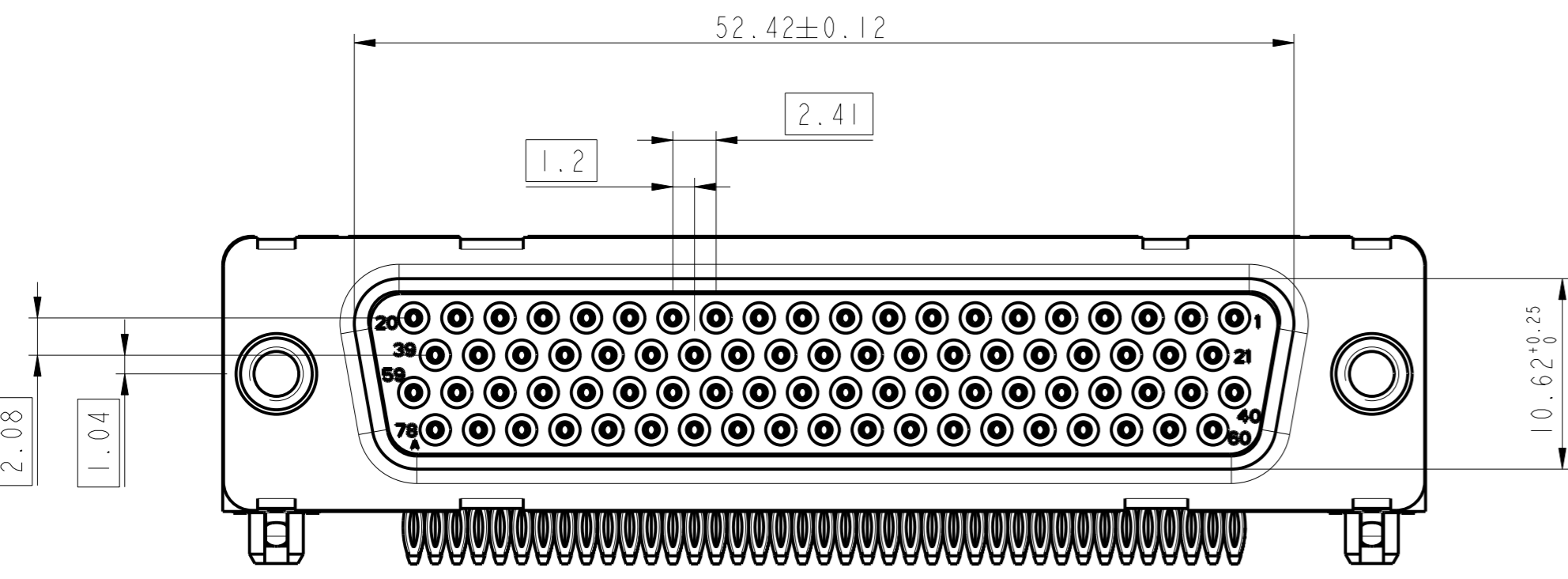
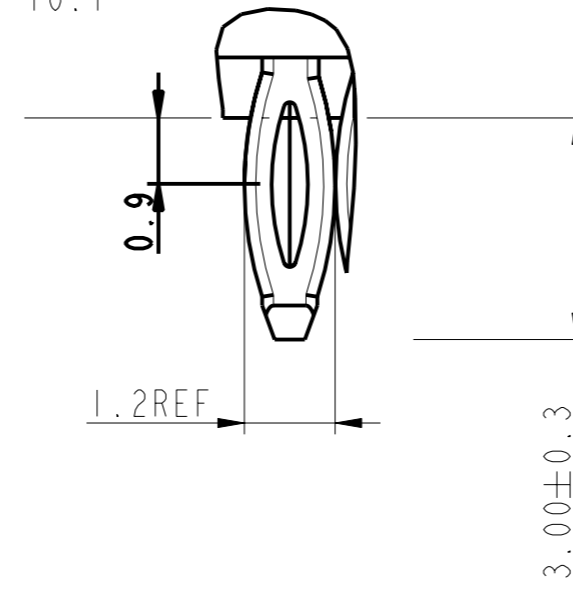
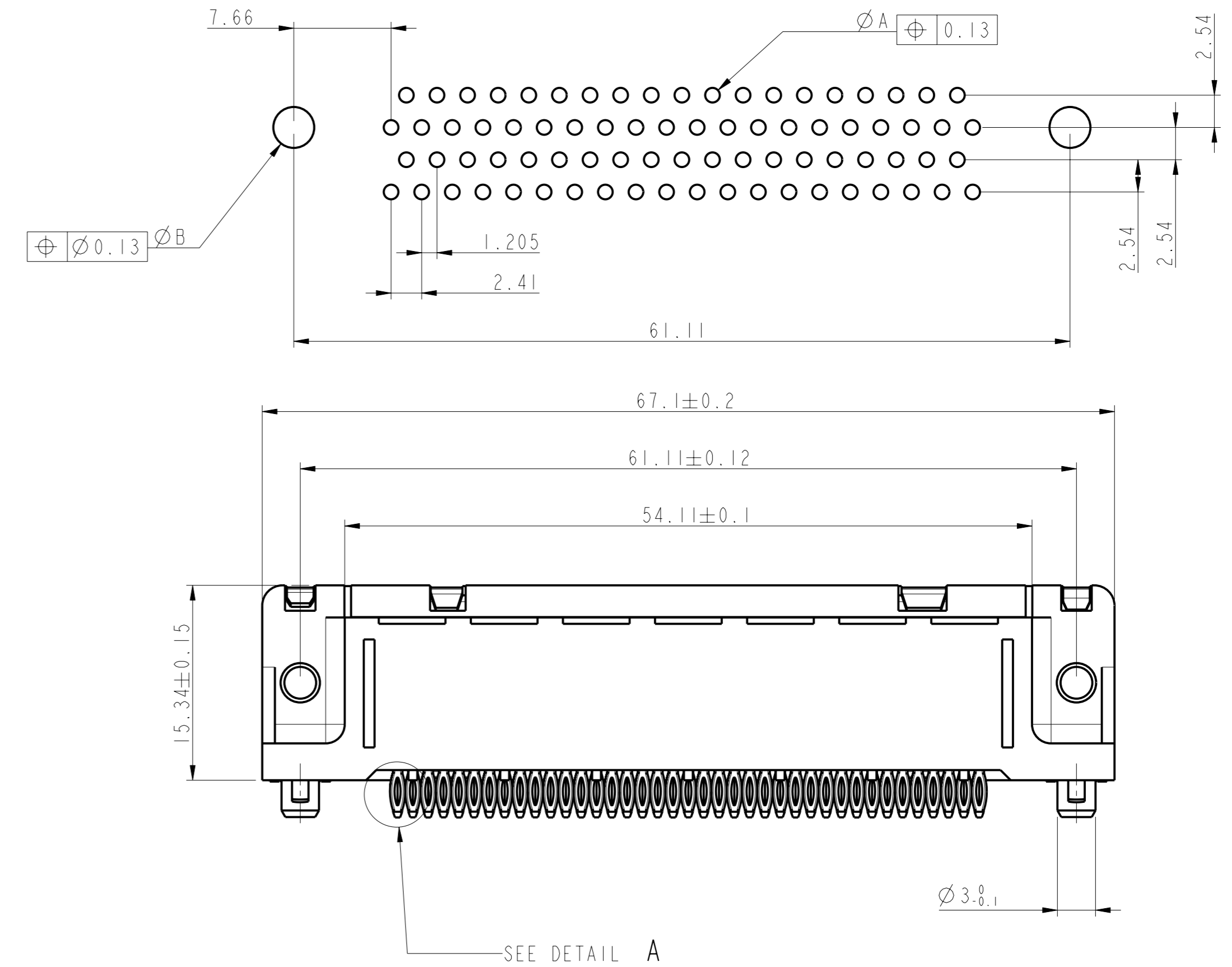


DETAIL A  
SCALE 10:1



PC card drilling dimensions(after plating)  
(Thickness 1.60 ±0.10mm) SCALE 3:1



**REQUIREMENTS**

**Technical characteristics:**

Shell: steel tin plated  
 Insulators: self-extinguishing thermoplastic, UL class 94V0  
 Contacts: phosphor bronze, gold over 2 microns mini nickel on active area and flash to 1.5 micron maxi SnPb over 1 micron mini nickel on termination  
 Cycles: 500min  
 gauge retention force: 0.14N

**Press fit connectors:**

Insertion force: 100N maxi per contact  
 Extraction force: 30N mini in SnPb hole  
 20N mini in pure Tin hole  
 15N mini in Copper hole

**Accessories:**

Threaded insert: M3 brass  
 retention against torque 0.7 N.m minimum  
 Grounding strip: phosphor bronze, tin plated

**Electrical characteristics:**

Max current rating: 2.5A  
 Test voltage: 750V  
 Rated voltage: 300V  
 Contact resistance: <35 mOhm  
 Shell resistance: <5 mOhm  
 Insulation resistance >5000 MOhm

**Climatic characteristics:**

Operating temperature range: -55°C + 125°C  
 Industrial atmosphere (bellcore test)  
 4 gases, 10 days

**Marking:**

Ink marking on front shell  
 Logo, reference FCI, code year-week

**Packaging**

In tray according to specification EUR-14-015

**Dimensions:**

In accordance with MIL-DTL-24308B

**PLATING FOR TIN VERSIONS, TERMINATIONS LF ONLY**

**NOTE RoHS INFORMATION**

- The "LF" products meet European union Directives and other country regulations as described in GS-22-008
- Active Part : Gold over Nickel
- Termination plating spec: 0.5 to 3 µm Nickel, 0.5 to 1.5 µm Sn
- Shell plating: 2 to 4 µm Cu + 3 to 10 µm Sn (pure bright)
- Accessories: Sn pure bright
- Packaging spec: see GS-14-920

**TIN LEAD PART NUMBER**

Part Number	<b>CD78S80C6GL00</b>
-------------	----------------------

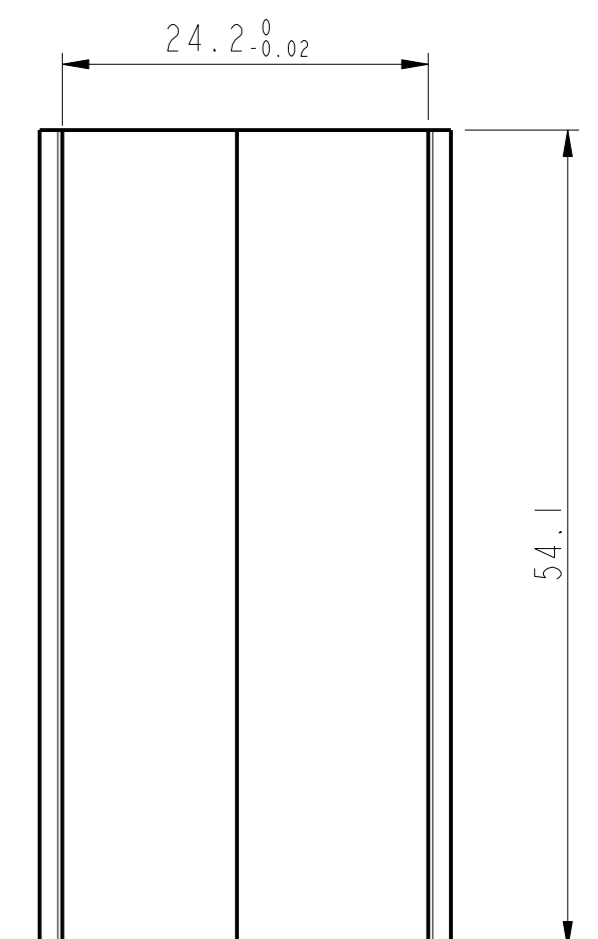
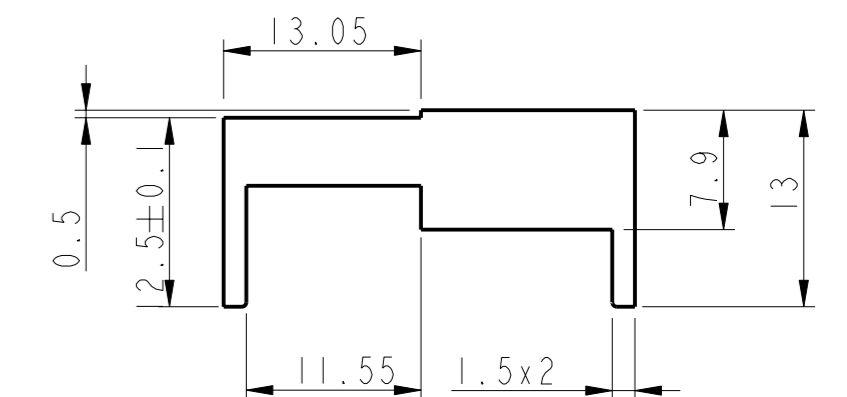
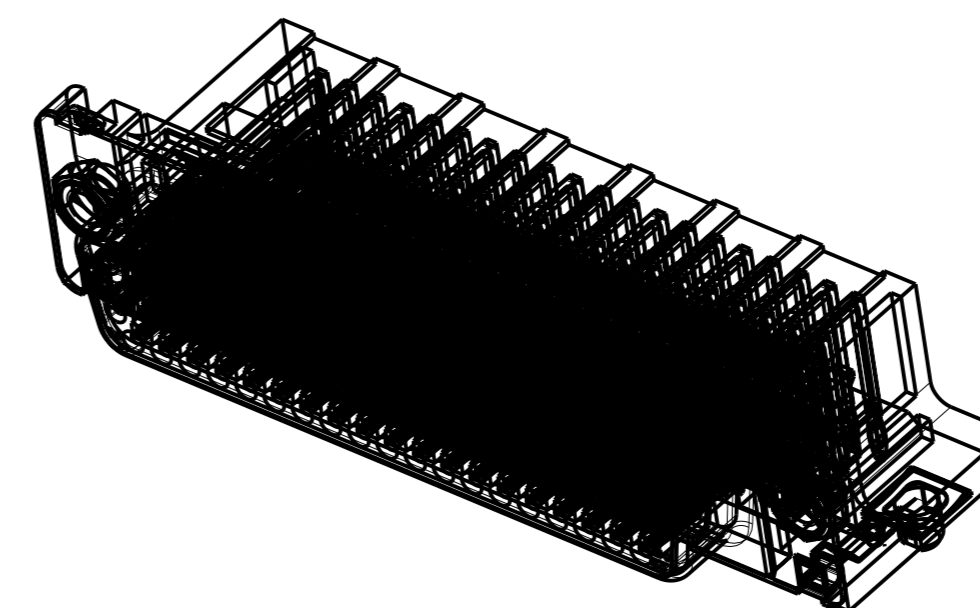
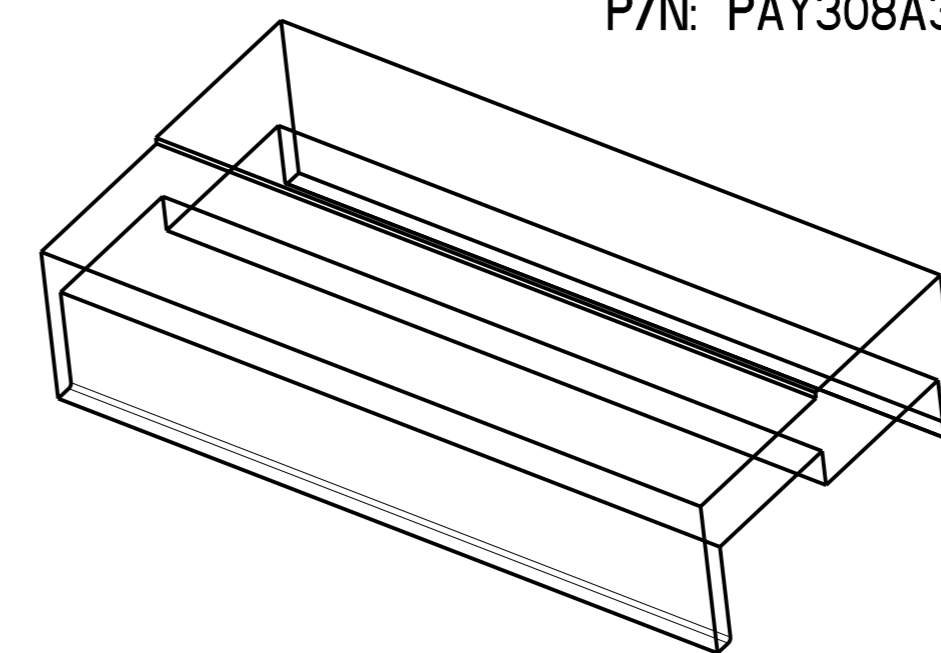
**LEAD FREE PART NUMBER**

Part Number	<b>CD78S80C6GL00LF</b>
-------------	------------------------

**INTERMEDIATE PUSH BLOCK FOR INSERTION CONNECTOR ON PCB**

SCALE 2:1

P/N: PAY308A342



P.C.B. HOLE DEFINITION (NOTE -1 AND -2)	DRILL DIAMETER	HOLE PRESS-FIT CONTACT SnPb	HOLE PRESS-FIT CONTACT Sn	HOLE PRESS-FIT HARPOONS SnPb	HOLE PRESS-FIT HARPOON Sn	HOLE PRESS-FIT CONTACT Copper OSP	HOLE PRESS-FIT HARPOON Copper OSP
		Ø 1.15 REF (NOTE -3)	Ø 1.15 REF (NOTE -3)	Ø 3.22 REF (note-3)	Ø 3.22 REF (note 3)	Ø 1.15 REF (note 3)	Ø 3.22 REF (note-3)
		Ø 1.12 -1.18	Ø 1.12 -1.18	Ø 3.19-3.25	Ø 3.19-3.25	Ø 1.12-1.18	Ø 3.19-3.25
		25µ mini-50µ maxi	25µ mini- 50µ maxi	25µ mini-50µ maxi	25µ mini-50µ maxi	25µ mini-50µ maxi	25µ mini-50µ maxi
		5µ mini - 15µ maxi		5µ mini-15µ maxi			
			0.8 mini to 1.2µ maxi		0.8µ mini-1.2µ maxi		
						0.20µ mini-0.5µ maxi	0.20µ mini-0.5µ maxi
		Ø 0.94-1.09	Ø 1.00-1.09	Ø 3.02-3.20	Ø 3.08-3.20	Ø 1.01-1.09	Ø 3.09-3.20

NOTE-1: THESE DIMENSIONS MUST BE RESPECT TO SECURE PRESS-FIT PIN PERFORMANCES.  
 NOTE-2: ACCORDING TO IEC -352-5 SPEC.  
 NOTE-3: MAJOR REQUIREMENT FOR PRESS-FIT PIN PERFORMANCE  
 NOTE-4: DIMENSIONS AFTER REFLOW FOR PUR TIN AND TIN LEAD HOLE

Mark with CD78S80C6GL00 REV. J in area indicated by X.....	Material - Mat code - Heatreat - Plating/Finish -	Spec ref surface ✓ tolerance ISO 406 ISO 1101 ISO 1302	projection mm
Dr PESSION Eng LEGARE 14/11/03 Chr DUMAZY 14/11/03 Appr LEGARE 14/11/03	Product family SUB D Model Name CD78S80C6GL00 Model Revision B	size AI Scale 1:1	Rev. J
<b>SUB COMPACT D FEMALE</b> right angled press fit 78 way		<b>C01-8646-0846</b> CUSTOMER COPY sheet 1 of 1	

FCI CONFIDENTIAL

FCI

This document is the property of FCI and contains CONFIDENTIAL and PROPRIETARY information of FCI. No part of the information shown on this document may be used in any way or disclosed to others without the prior consent of FCI. Copyright FCI.