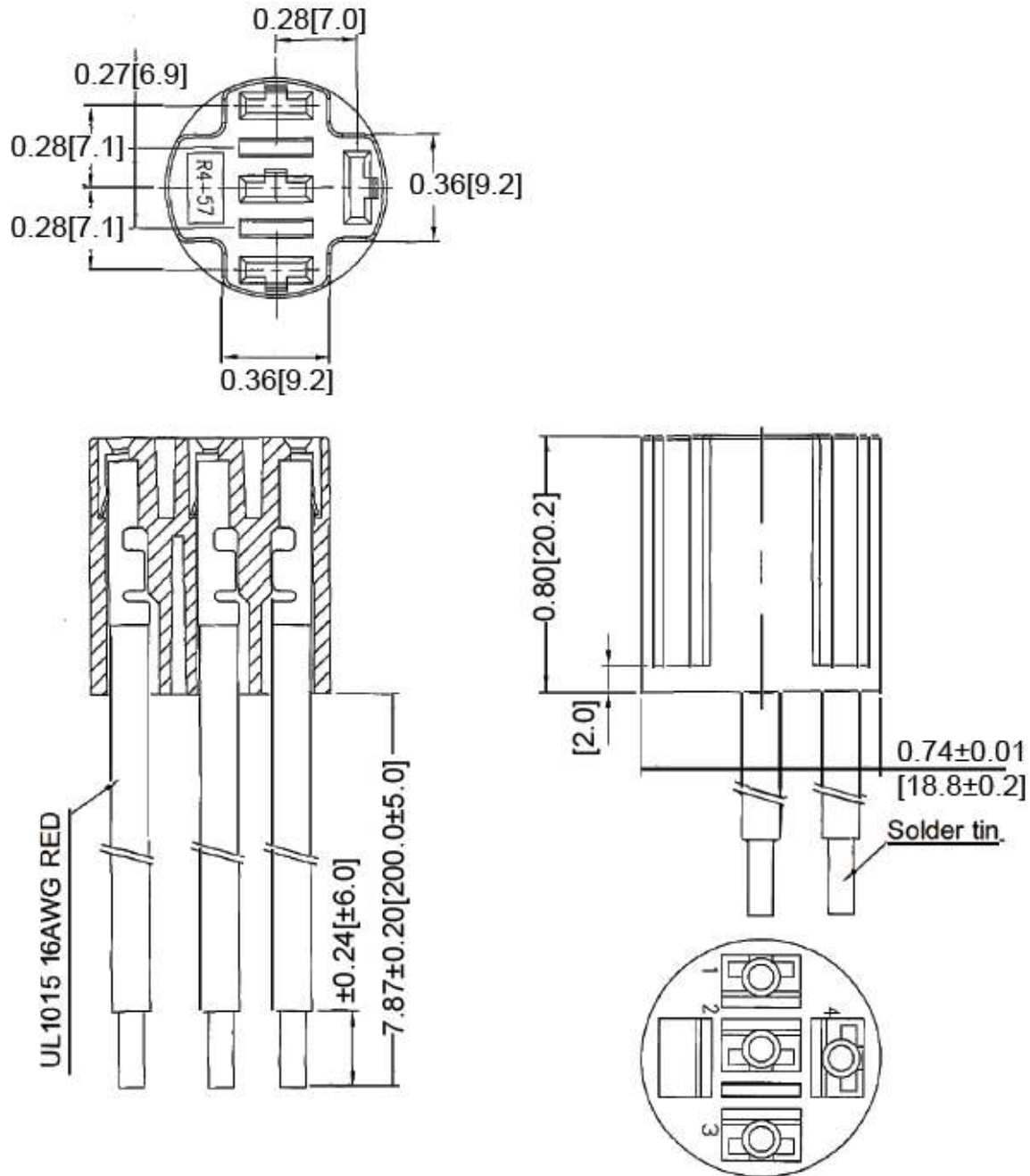


## Mechanical Dimensions: Inches [mm]

Tolerances  $\pm 0.012$  [0.3] Unless Otherwise Specified

## Material Specifications

Black, Nylon 66, 101L

Applicable terminals: 0.187" \* 0.03t (4.8 \* 0.8t mm)

16 AWG wire

Rev	Date of issue	Revision Notes	Designed	Approved
B	02-26-2020	Initial Drawing	RC	OF