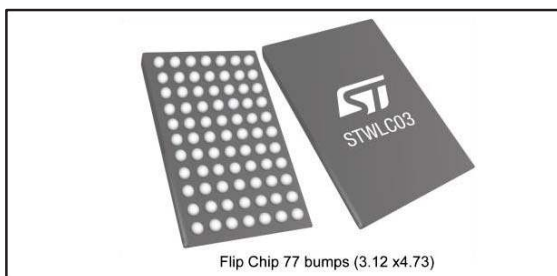


## Dual mode Qi/PMA wireless power receiver

Datasheet - production data



- Flip Chip 77 bumps (3.12x4.73 mm)

### Applications

- Cellular phones
- Power banks
- Navigation systems
- Tablets
- Medical and healthcare instrumentation

### Features

- 1 W to 12 W output power
- Qi 1.1 and PMA wireless standard communication protocols
- Integrated high efficiency synchronous rectifier
- 800 kHz programmable step-down converter with input current and input voltage regulation loops
- Step-down converter efficiency up to 90%
- Simplified Li-Ion/Polymer charger function
- 32-bit, 16 MHz embedded microcontroller with 16 kB ROM and 2 kB RAM memory
- 2 kB NVM for customization
- Integrated driver for external supply switch
- Precise voltage and current measurements for received power calculation
- I<sup>2</sup>C interface
- Configurable GPIO output
- Rx coil NTC protection
- Thermal protection
- Low power dissipative rectifier overvoltage clamp

### Description

The STWLC03 is an integrated wireless power receiver solution suitable for portable applications. The STWLC03 is able to operate with Qi 1.1 or PMA communication protocol. Thanks to the integrated low impedance synchronous rectifier and DC-DC step-down converter, the STWLC03 achieves high efficiency, low power dissipation and output power beyond 5 W. Digital control and precise analog control loops ensure stable operation. I<sup>2</sup>C interface allows many parameters to be customized in the device and this configuration can be stored in the embedded NVM.

The STWLC03 can deliver the output power in two modes: as a power supply with configured output voltage or as a simple CC/CV battery charger with configurable charging current.

The STWLC03 can detect an external (wired) power supply connection and drive an external power switch.

Table 1: Device summary

Order code	Description	Package	Packing
STWLC03JR	12 W output	Flip Chip 77 bumps (3.12x4.73 mm)	Tape and reel

## Contents

<b>1</b>	<b>Introduction .....</b>	<b>6</b>
<b>2</b>	<b>Pin configuration .....</b>	<b>7</b>
<b>3</b>	<b>Maximum ratings .....</b>	<b>10</b>
<b>4</b>	<b>Electrical characteristics .....</b>	<b>12</b>
<b>5</b>	<b>Device description.....</b>	<b>17</b>
	5.1 Using the STWLC03 as a power supply.....	17
	5.2 Using the STWLC03 as a battery charger.....	17
	5.3 Wireless standard auto-detection.....	18
	5.4 Qi operation and flow chart .....	19
	5.4.1 Received power calibration (FOD feature).....	21
	5.5 PMA operation .....	21
	5.6 External power supply.....	22
	5.7 The device interface.....	24
<b>6</b>	<b>I<sup>2</sup>C register description .....</b>	<b>25</b>
	6.1 ADC measured values .....	31
	6.2 Service registers .....	33
<b>7</b>	<b>Non-volatile memory .....</b>	<b>35</b>
	7.1 NVM sector maps.....	35
<b>8</b>	<b>Application information .....</b>	<b>45</b>
	8.1 Application schematic and recommended external components.....	45
	8.2 External passive component selection .....	49
	8.2.1 Input resonant circuit component selection (L1, C1, C2) .....	49
	8.2.2 Voltage clamp resistor selection (RCL1, RCL2).....	49
	8.2.3 Load modulation capacitors selection (CM1, CM2) .....	49
	8.2.4 Feedback resistor divider components selection (RFB1, RFB2) .....	49
	8.2.5 Rx NTC circuit component selection (RNTC, R1) .....	49
	8.2.6 Soft-start capacitor selection (C10).....	50
	8.2.7 External supply transistor selection.....	50
	8.3 Reference PCB layout.....	51
<b>9</b>	<b>Package information .....</b>	<b>53</b>
	9.1 Flip Chip 77 bumps (3.12x4.73 mm) package information .....	53
<b>10</b>	<b>Revision history .....</b>	<b>55</b>

## List of tables

Table 1: Device summary .....	1
Table 2: Pin description .....	7
Table 3: Absolute maximum ratings .....	10
Table 4: Thermal data .....	11
Table 5: Electrical characteristics .....	12
Table 6: Recommended VRECT and VRMIN values for various VOUT .....	17
Table 7: EPT reasons in Qi.....	20
Table 8: EOC reasons in PMA.....	22
Table 9: User register map .....	25
Table 10: Control register .....	25
Table 11: Target rectified voltage register (register address 02h).....	26
Table 12: Input voltage threshold for output power limitation register (register address 03h) .....	26
Table 13: Input current limit register (register address 05h).....	26
Table 14: Overload threshold register (register address 06h).....	26
Table 15: Step-down output voltage register (register address 07h) .....	27
Table 16: Step-down converter feedback voltages .....	27
Table 17: Buck current limit register .....	27
Table 18: Chip overtemperature threshold register (register address 09h).....	27
Table 19: Interrupt mask L register (register address 0Ah).....	27
Table 20: Interrupt mask H register ( register address 0Bh) .....	28
Table 21: Interrupt status L register ( register address 0Ch).....	28
Table 22: Interrupt status H register .....	29
Table 23: Interrupt latch L register.....	29
Table 24: Interrupt latch H register .....	29
Table 25: Operation mode detection status register.....	30
Table 26: Operation mode detection control register (register address 11h).....	30
Table 27: Qi charge status register (register address 12h).....	31
Table 28: Charger status register (register address 13h).....	31
Table 29: Charger control register.....	31
Table 30: ADC measured value register map .....	31
Table 31: Rectified voltage (VRECT).....	32
Table 32: Rectified output current (IRECT) .....	32
Table 33: RX coil NTC voltage .....	32
Table 34: VOUT voltage .....	32
Table 35: VDROP voltage .....	33
Table 36: Chip temperature .....	33
Table 37: Ground voltage .....	33
Table 38: RX_POWER .....	33
Table 39: Service register map.....	34
Table 40: NVM control .....	34
Table 41: I2C registers corresponding to bytes in NVM sector .....	34
Table 42: Non-volatile memory sector map.....	35
Table 43: Map of NVM sector 04 .....	35
Table 44: Byte 0.....	36
Table 45: Byte 1 .....	36
Table 46: Byte 2.....	36
Table 47: Byte 3.....	36
Table 48: Byte 4.....	37
Table 49: Map of NVM sector 05 .....	37
Table 50: Map of NVM sector 07 .....	38
Table 51: Map of NVM sector 08.....	39
Table 52: Map of NVM sector 10 .....	40
Table 53: Map of NVM sector 13 .....	41

---

Table 54: Byte 0 Qi_EPT_threshold [7:0] .....	41
Table 55: Byte 1, Qi_EPT_Time [7:0] .....	41
Table 56: Byte 2, Qi charger enable .....	42
Table 57: Qi target voltage .....	42
Table 58: Byte 3, Q1_Precharge_Battery_overvoltage .....	42
Table 59: Byte 4, Q1_Precharge and Fastcharge .....	42
Table 60: Byte 8, PMA_EOC_theshold [7:0] .....	43
Table 61: Byte 9, PMA_EOC_Time [7:0] .....	43
Table 62: Byte 10, PMA_Target_Voltage [2:0] .....	43
Table 63: PMA target voltage vs charging voltage .....	44
Table 64: Byte 11 .....	44
Table 65: Byte 12 .....	44
Table 66: STWLC03 recommended external components.....	46
Table 67: Flip Chip 77 bumps (3.12x4.73 mm) package mechanical data .....	54
Table 68: Document revision history .....	55

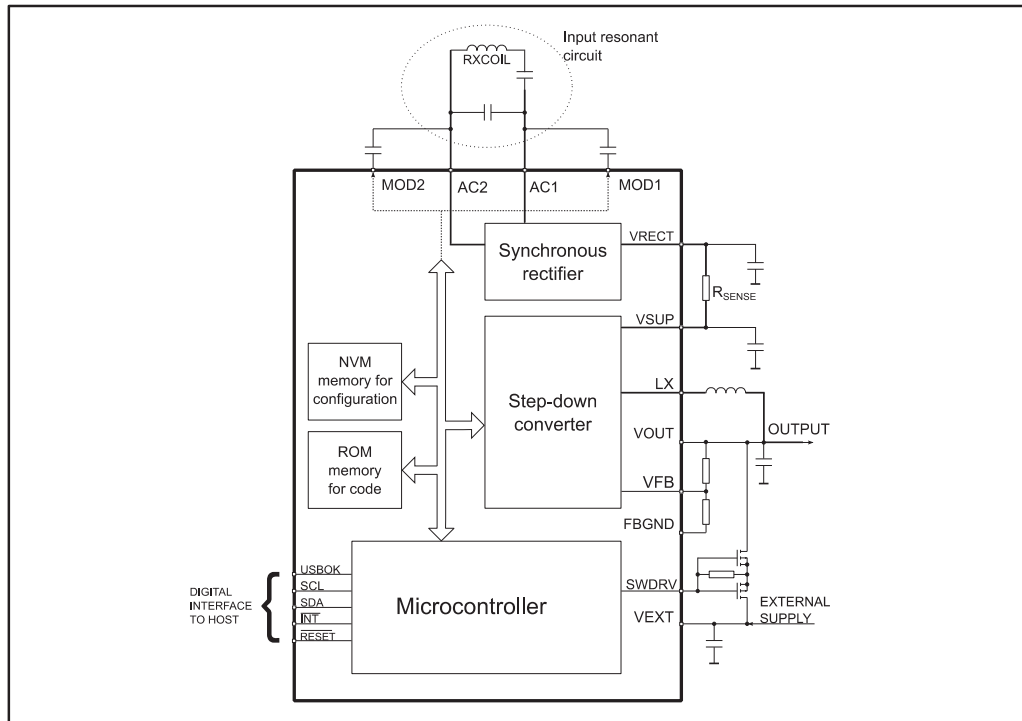
## List of figures

Figure 1: Simplified block diagram.....	6
Figure 2: Pin configuration Flip Chip 77 bumps (3.12x4.73 mm) .....	7
Figure 3: Typical step-down converter efficiency .....	17
Figure 4: Typical charging profile.....	18
Figure 5: Wireless standard detection flowchart.....	19
Figure 6: Qi simplified flow diagram.....	20
Figure 7: PMA simplified flow diagram .....	21
Figure 8: External power supply situation .....	23
Figure 9: External power supply situation 1 .....	23
Figure 10: STWLC03 application schematic .....	45
Figure 11: STWLC03 charger configuration .....	46
Figure 12: VIO and digital interface in standalone application schematic .....	48
Figure 13: VIO and digital interface in platform application schematic.....	48
Figure 14: Top overlay .....	51
Figure 15: Top layer .....	51
Figure 16: Mid layer 1 .....	51
Figure 17: Mid layer 2 .....	51
Figure 18: Bottom layer.....	52
Figure 19: Flip Chip 77 bumps (3.12x4.73 mm) package outline .....	53
Figure 20: Flip Chip 77 bumps (3.12x4.73 mm) recommended footprint .....	54

# 1 Introduction

The STWLC03 is a dual mode Qi/PMA wireless power receiver. It works as a voltage source with regulated output voltage, typically 5 V. It can be reconfigured into a simple battery charger mode (CC/CV) to charge directly Li-Ion or Li-Pol batteries. The STWLC03 can operate autonomously or can be controlled through I<sup>2</sup>C by the host system.

Figure 1: Simplified block diagram



## 2 Pin configuration

Figure 2: Pin configuration Flip Chip 77 bumps (3.12x4.73 mm)

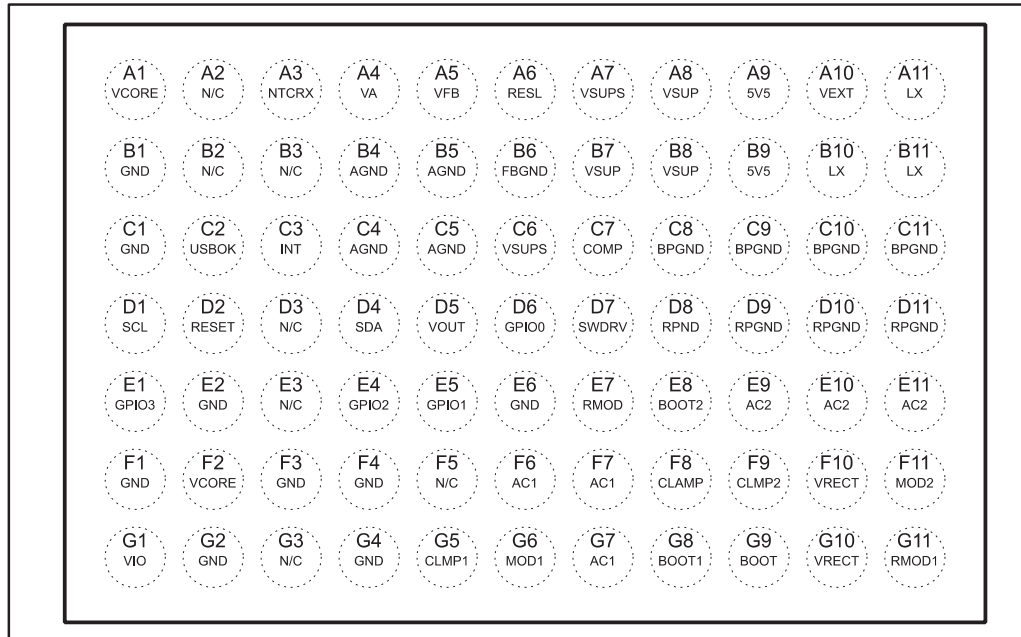


Table 2: Pin description

Pin name	Pin position	Description
AC1	F6, F7, G7	RX coil circuit terminal connection
AC2	E9, E10, E11	RX coil circuit terminal connection
MOD1	G6	Load modulation capacitor 1 connection
MOD2	F11	Load modulation capacitor 2 connection
CLMP1	G5	Clamping capacitor/resistor 1 connection
CLMP2	F9	Clamping capacitor/resistor 2 connection
RMOD	E7	Modulation current sink connection, internally connected to VRECT
RMOD1	G11	Load modulation external resistor connection. RM resistor is not necessary for most applications
VRECT	F10, G10	Synchronous rectifier output
BOOT1	G8	Bootstrap capacitor connection for the rectifier
BOOT2	E8	Bootstrap capacitor connection for the rectifier
BOOT	G9	Bootstrap capacitor connection for the step-down converter
CLAMP	F8	Low power clamp connection
VSUP	A8, B8, B7	Power supply input for the step-down converter
VSUPS	A7, C6	Sensing terminal of the external current sensing resistor

Pin name	Pin position	Description
RESL	A6	Sensing terminal of the external current sensing resistor
VOUT	D5	Step-down output voltage
VFB	A5	Step-down feedback input
FBGND	B6	Ground connection of the resistor feedback divider for step-down converter
LX	A11, B11, B10	Step-down converter coil connection
NTCRX	A3	Comparator input for RX coil temperature sensing
		NTC thermistor has to be placed close to RX coil
VA	A4	LDO1 output to filtering capacitor. ADC supply and sensitive analog circuitries are connected to this LDO; any external circuit cannot be connected to this node
VCORE	F2	LDO2 output to filtering capacitor. The microcontroller core and logic supply. VCORE voltage can be used as a reference voltage for the RX coil NTC divider
V5V	A9, B9	LDO3 output to filtering capacitor
VIO	G1	VIO power supply for the digital interface. It can be connected to VCORE or provided externally
SCL	D1	I <sup>2</sup> C clock input
SDA	D4	I <sup>2</sup> C data
GPIO0	D6	General purpose push-pull I/O pin. This function depends on firmware configuration
GPIO1	E5	General purpose push-pull I/O pin. This function depends on firmware configuration
GPIO2	E4	General purpose push-pull I/O pin. This function depends on firmware configuration
GPIO3	E1	Open drain output pin only. This function depends on firmware configuration
RESET	D2	Chip reset input, active low
INT	C3	Open drain interrupt output to the host platform
RPGND	D8, D9, D10, D11	Rectifier power ground
BPGND	C8, C9, C10, C11	Step-down converter power ground
GND	G2, F3	Digital ground
AGND	B4, C4, B5, C5	Analog ground
VEXT	A10	Detection of the external power supply voltage – adapter/USB voltage. 30 V spike tolerant
SWDRV	D7	External P-channel switch control for connecting adapter/USB voltage to VOUT
USBOK	C2	Digital input for the USBOK signal from platforms
COMP	C7	Step-down converter soft-start capacitor connection
GND	G4, F4	Reserved. Connect to ground
VCORE	A1	Reserved. Connect to VCORE



Pin name	Pin position	Description
N/C	G3	Reserved. Do not connect
GND	B1, E2, E6, F1	Reserved. Connect to ground
N/C	B2, B3, D3, E3	Reserved. Do not connect
GND	C1	Reserved. Connect to ground
N/C	A2, F5	Reserved. Do not connect

### 3 Maximum ratings

Table 3: Absolute maximum ratings

Pin	Parameter	Value	Unit
AC1, AC2	Input AC voltage	-0.3 to 20	V
MOD1, MOD2	Modulation transistor voltage	-0.3 to 20	V
CLMP1, CLMP2	Clamp transistor voltage	-0.3 to 20	V
BOOT1, BOOT2	Voltage on bootstraps	AC1, AC2 -0.3; AC1, AC2 + 6	V
BOOT	Voltage on bootstrap	VRECT-0.3; VRECT + 6	V
VRECT	Rectified voltage	-0.3 to 20	V
VRESL, VSUPS	Current sensing resistor connection voltage	-0.3 to 20	V
VRESL-VSUPS	Voltage on the current sensing resistor	-0.3 to 2	V
VSUP	Input voltage of the buck converter	-0.3 to 20	V
LX	Buck converter switching node voltage	-0.3 to 20	V
RMOD, RMOD1	Resistive modulation current source and transistor voltage	-0.3 to 20	V
FBGND	Internal feedback transistor VDS voltage	-0.3 to 20	V
VOUT	Output voltage range	-0.3 to 20	V
VFB	Buck converter feedback voltage	-0.3 to 3	V
VEXT, SWDRW	Detection pin for the external voltage and driver output for the external transistor	-0.3 to 30	V
NTCRX	RX coil NTC voltage	-0.3 to 2.3	V
VA, VCORE	LDO1,2 voltages	-0.3 to 2.3	V
V5V	LDO 3 voltage	-0.3 to 6	V
VIO	VIO voltage	-0.3 to 6	V
SCL, SDA, USBOK, INT, RESET	Digital interface voltage	-0.3 to VIO+0.3	V
GPIO0, GPIO1, GPIO2, GPIO3	General purpose I/O voltage	-0.3 to VIO+0.3	V
T <sub>STG</sub>	Storage temperature range	-40 to 150	°C
T <sub>OP</sub>	Operating ambient temperature range	-40 to +85	°C
T <sub>J</sub>	Maximum junction temperature	+125	°C
ESD	Machine model	±100	V
	Charged device model	±500	V
	Human body model	±2000	V



Absolute maximum ratings are those values beyond which damage to the device may occur. Functional operation under these conditions is not implied.

**Table 4: Thermal data**

Package	Symbol	Parameter	Value	Unit
Flip Chip 77 (3.12x4.73 mm)	R <sub>THJA</sub>	Junction-to-ambient thermal resistance <sup>(1)</sup>	35	°C/W

**Notes:**

<sup>(1)</sup>This parameter corresponds to the PCB board, 4-layer with 1 inch<sup>2</sup> of cooling area.

## 4 Electrical characteristics

-30 °C < T<sub>A</sub> < 85 °C; typical values are at T<sub>A</sub> = 25 °C, unless otherwise specified.

Table 5: Electrical characteristics

Symbol	Parameter	Test conditions	Min.	Typ.	Max.	Unit
<b>General section</b>						
V <sub>IN</sub>	AC input voltage	Peak-to-peak voltage between AC1- AC2 over the period			32	V
V <sub>UVLO</sub>	Undervoltage lockout threshold	V <sub>SUP</sub> rising		3.6	3.8	V
		V <sub>SUP</sub> falling	3.3	3.5		
TIMEOUT <sub>RESET</sub>	Reset time-out for shutdown mode			1		ms
I <sub>Q</sub>	Current consumption in the shutdown mode	RESET=0 (active low) duration>1 ms, measured at VEXT		10		μA
		RESET=0 (active low) duration>1 ms, measured at VRECT		2	4	mA
I <sub>RESET</sub>	Current consumption in the RESET condition	RESET=0 (active low), duration<1 ms, GPIO 0 floating		5		mA
I <sub>CC</sub>	Current consumption of the device	RESET=1 (inactive), GPIO 0 floating		7		mA
<b>LDO 1</b>						
V <sub>A</sub>	LDO 1 output voltage	I <sub>A</sub> = 5 mA		1.8		V
I <sub>LIM</sub>	Load current limit			50		mA
<b>LDO 2</b>						
V <sub>CORE</sub>	LDO 2 output voltage	V <sub>SUP</sub> = 3.6 V to 11 V, I <sub>CORE</sub> = 5 mA		1.8		V
I <sub>DDLIM</sub>	Load current limit			40		mA
<b>LDO 3</b>						
V <sub>SV</sub>	LDO 3 output voltage	I <sub>VSV</sub> = 20 mA, V <sub>R</sub> = 5.5 V		5		V
I <sub>LIM</sub>	Load current limit			30		mA
<b>Synchronous rectifier</b>						

Symbol	Parameter	Test conditions	Min.	Typ.	Max.	Unit
R <sub>DS(on)</sub>	Drain-source NMOS on-resistance low-side	I <sub>RECT</sub> = 1.4 A, V <sub>RECT</sub> = 8 V		90		mΩ
	Drain-source NMOS on-resistance high-side			70		
Efficiency	Rectifier efficiency	I <sub>RECT</sub> = 0.8 A, V <sub>RECT</sub> = 7 V, f <sub>Rectifier</sub> = 130 kHz		91		%
I <sub>RACTIVE</sub>	Active mode rectifier threshold, voltage @ R <sub>s</sub>	V <sub>RECT</sub> = 10 V, rising edge		8.75		mV
		V <sub>RECT</sub> = 10 V, falling edge		3.25		
f <sub>RECTIFIER</sub>	Rectifier frequency range		50		500	kHz
V <sub>CLAMP</sub>	Clamp of the rectified voltage	I <sub>CLAMP</sub> = 1 mA		17.4		V
<b>Active clamp drivers</b>						
R <sub>DS(on)CLMP1,2</sub>	Active clamp MOS R <sub>DS(on)</sub>	V <sub>SUP</sub> = 5 V		1		Ω
V <sub>OVP</sub>	V <sub>RECT</sub> voltage threshold of active clamp		15.4	15.9	16.4	V
V <sub>OVP hyst</sub>	V <sub>RECT</sub> voltage active clamp hysteresis			600		mV
<b>Load modulation</b>						
R <sub>DS(on)MOD1,2</sub>	Load modulation MOS R <sub>DS(on)</sub>	V <sub>SUP</sub> = 5 V		1		Ω
I <sub>MOD</sub>	R <sub>MOD</sub> pin sink current range	V <sub>SUP</sub> = 5 V	15		410	mA
	Modulation current tolerance	V <sub>SUP</sub> = 5 to 12 V, I <sub>MOD</sub> = 80 mA		10		%
I <sub>MAXMOD1</sub>		V <sub>SUP</sub> = 5 V, R <sub>M</sub> = 2 Ω		2		A
<b>Protections</b>						
VLD <sub>MAX</sub>	Overcurrent protection threshold, voltage @ R <sub>s</sub>	VLD <sub>MAX</sub> = 0Fh		1.7		V
		VLD <sub>MAX</sub> = 04h		0.875		
TOL_VLD <sub>MAX</sub>	Tolerance of the VLD <sub>MAX</sub>	VLD <sub>MAX</sub> = 0Fh	-5		+5	%
		VLD <sub>MAX</sub> = 04h	-10		+10	

Symbol	Parameter	Test conditions	Min.	Typ.	Max.	Unit
V <sub>NTCTRIG</sub>	NTC trigger voltage for RX			0.6		V
TOL_V <sub>NTCTRIG</sub>	NTC trigger voltage tolerance			3		%
Hyst_V <sub>NTCTRIG</sub>	NTC trigger voltage hysteresis			100		mV
t <sub>SHDN</sub>	Thermal shutdown			150		°C
t <sub>SHDNHYST</sub>	Thermal shutdown hysteresis			20		°C
<b>Current-to-voltage converter</b>						
EOC_CURRENT	End-of-charge current threshold	R <sub>S</sub> = 0.05 Ω 1%, V <sub>SUP</sub> = 5 to 15 V	0		400	mA
TOL <sub>EOC_CURRENT</sub>	Tolerance of the EOC threshold	R <sub>S</sub> = 0.05 Ω 1%, V <sub>SUP</sub> = 5 to 15 V, EOC_CURRENT = 50 mA		20		%
		R <sub>S</sub> = 0.05 Ω 1%, V <sub>SUP</sub> = 5 to 15 V, EOC_CURRENT = 200 mA		10		%
<b>Step-down converter</b>						
V <sub>VOUT</sub>	Output voltage range		3		7	V
Tol <sub>VOUT</sub>	V <sub>VOUT</sub> tolerance	V <sub>VOUTreg</sub> = 0.11, V <sub>VOUT</sub> = 4.2 V		0.5		%
OVP <sub>VOUT</sub>	Overvoltage protection threshold			8.5		V
I <sub>VOUT + I<sub>FB</sub></sub>	Output leakage current	Step-down is off, V <sub>VOUT</sub> = 5 V,			1	μA
I <sub>FB</sub>	Feedback pin bias current				500	nA
I <sub>LIM</sub>	Coil current limit		250		4000	mA
	Coil current limit accuracy	CURRLIM reg = 1111		10		%
I <sub>OVERCURR</sub>	Overcurrent/short-circuit protection	V <sub>SUP</sub> = 5 to 12 V		4500		mA
DIV <sub>VOUT</sub>	Output voltage internal divider ratio			6		nA
f <sub>SW</sub>	Switching frequency			0.8		MHz
V <sub>SUP</sub>	Input voltage range	I <sub>OUT</sub> = 2 A	5.5		12	V

Symbol	Parameter	Test conditions	Min.	Typ.	Max.	Unit
N-R <sub>DS(on)SW</sub>	NMOS R <sub>DS(on)</sub> high-side	Back-to-back connected transistors		130		mΩ
N-R <sub>DS(on)SW</sub>	NMOS R <sub>DS(on)</sub> low-side			60		mΩ
Efficiency	Step-down efficiency	POUT = 5 W		89		%
		POUT = 12 W		80		
R <sub>FBGND</sub>	VOUT feedback divider grounding switch resistance	I <sub>FBGND</sub> = 500 μA			40	Ω
t <sub>START</sub>	Buck converter soft-start time	C <sub>10</sub> = 1 μF, P <sub>LOAD</sub> = 0 to 12 W		1		s
<b>Input voltage loop for output power limiting</b>						
VRMIN	Minimum rectified voltage threshold for output power limitation	VRMIN = 00h		5		V
		VRMIN = 0Ah		7		
TOL <sub>VRMIN</sub>	VRMIN threshold tolerance			5		%
<b>Input current limitation loop</b>						
IRREG	Input current limitation threshold, voltage @ R <sub>s</sub>	IRREG = F6h		82.5		mV
		IRREG = 32h		17.55		
TOL <sub>IRREG</sub>	IRREG threshold tolerance	IRREG = F6h		5		%
		IRREG = 32h		10		
<b>External voltage switch driver</b>						
V <sub>EXTUVLO</sub>	External supply undervoltage threshold		4.2	4.4	4.6	V
V <sub>EXTOVP</sub>	External supply overvoltage threshold		5.25	5.55	5.9	V
I <sub>EXTCONS</sub>	Input consumption current	V <sub>EXT</sub> = 5 V, V <sub>RECT</sub> = 0 V, RESET = 1 (active low)		8		mA
V <sub>SWDRV</sub>	Switch driver voltage drop	V <sub>EXT</sub> = 5 V, SWDRV low		200		mV
<b>GPIO pins</b>						
I <sub>OUT</sub> <sub>GPIO0/1/2</sub>	GPIO pin current capability	GPIO0/1/2 high, V <sub>IO</sub> = 1.8 V, V <sub>GPIO0/1/2</sub> = 1.4 V	3			mA

Symbol	Parameter	Test conditions	Min.	Typ.	Max.	Unit
$V_{\text{GPIO0/1/2/3}}$	GPIO pin drop	GPIO0/1/2/3 low, $V_{\text{IO}} = 1.8 \text{ V}$ , $I_{\text{GPIO0/1/2}} = 3 \text{ mA}$		360		mV
$V_{\text{IL}}$	Low level input voltage				$0.3 \cdot V_{\text{IO}}$	V
$V_{\text{IH}}$	High level input voltage		$0.7 \cdot V_{\text{IO}}$			V
<b>Microcontroller</b>						
Architecture				32		bit
NVM	Memory size for customization			2		kbit
<b>Clock generator</b>						
$f_{\text{OSC}}$	Clock generator frequency	$V_{\text{SUP}} = 4.5$ to $15 \text{ V}$		16		MHz
$\text{TOL}_{\text{FOSC}}$	Tolerance of the clock generator frequency	$T_{\text{AMB}} = 0 \text{ }^\circ\text{C}$ to $85 \text{ }^\circ\text{C}$	-4		+4	%



## 5 Device description

### 5.1 Using the STWLC03 as a power supply

The STWLC03 is configured as a power supply with 5 V output voltage by default. Output voltage can be adjusted in 8 steps in runtime through I<sup>2</sup>C or as a new default start-up configuration in NVM. Output voltage can be also slightly fixed in the range among the software steps, by tuning the resistor feedback divider.

When the output voltage changes, the related parameters have to be taken into account: rectified voltage  $V_{RECT}$  and input voltage threshold for output limitation  $V_{RMIN}$ . The table below shows the recommended values.

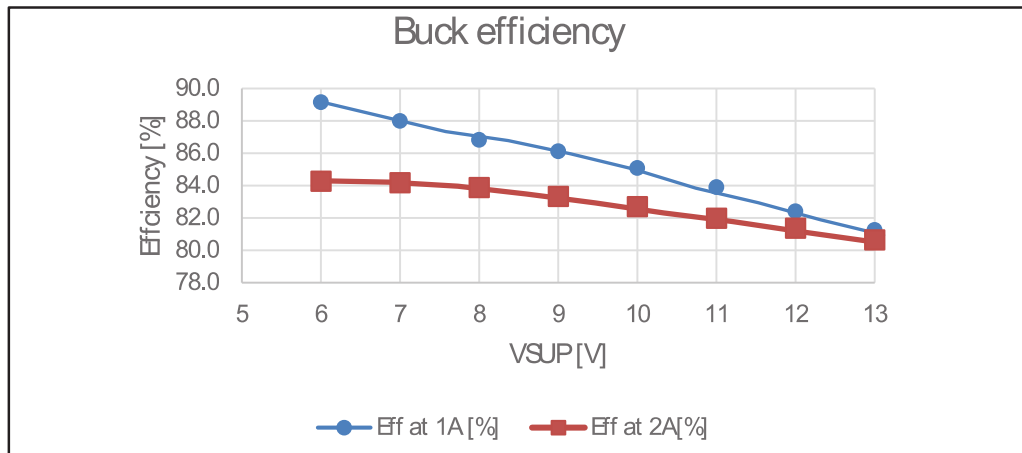
**Table 6: Recommended  $V_{RECT}$  and  $V_{RMIN}$  values for various  $V_{OUT}$**

Parameter	Min.	Typ.	Max.
$V_{OUT}$	5 V	6 V	7 V
$V_{RECT}$	7 V	8 V	9 V
$V_{RMIN}$	5.6 V	5.6 V	5.6 V

Input current limit and overload threshold should be fixed according to maximum expected peak load in the application.

The STWLC03 monitors continuously the rectifier current. If the current drops below the defined threshold for the defined time, the power transfer is over. This configuration is stored in NVM, values  $Q_i\_EPT\_Threshold$ ,  $Q_i\_EPT\_Time$ ,  $PMA\_EOC\_Threshold$ ,  $PMA\_EOC\_Time$ . This configuration is common for power supply mode and battery charger mode. To avoid power transfer termination, zero-current and maximum time have to be fixed.

**Figure 3: Typical step-down converter efficiency**



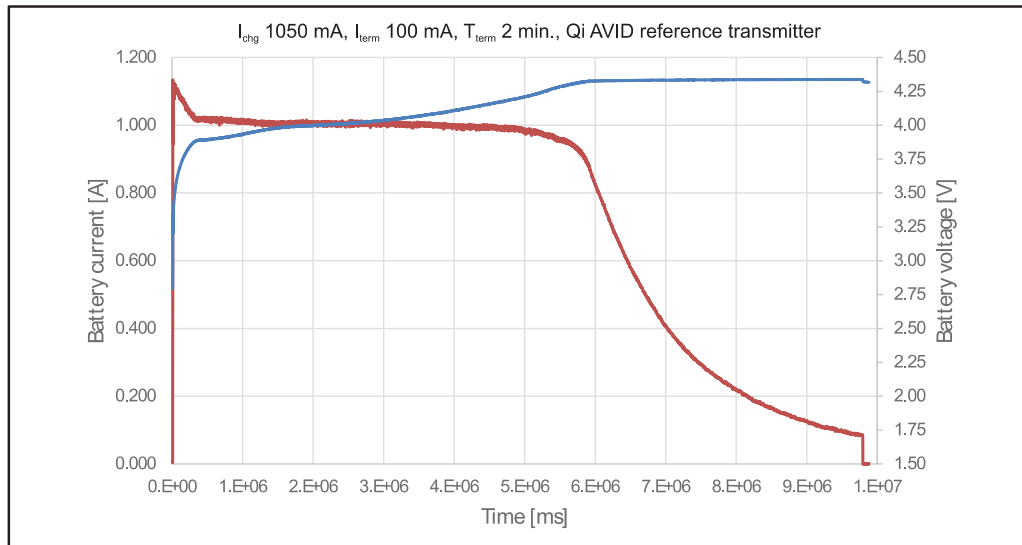
### 5.2 Using the STWLC03 as a battery charger

The STWLC03 is equipped with a software feature allowing the input current limitation loop to control the charging current. In this manner the STWLC03 can operate as a CC/CV

charger without HW output current control loop. VOUT pin leakage is minimized to save battery operation time.

The STWLC03 can be switched to battery charger mode instantly by I<sup>2</sup>C register (evaluation only, not recommended for production) or as a new default start-up configuration in NVM (safe recommended solution).

Figure 4: Typical charging profile

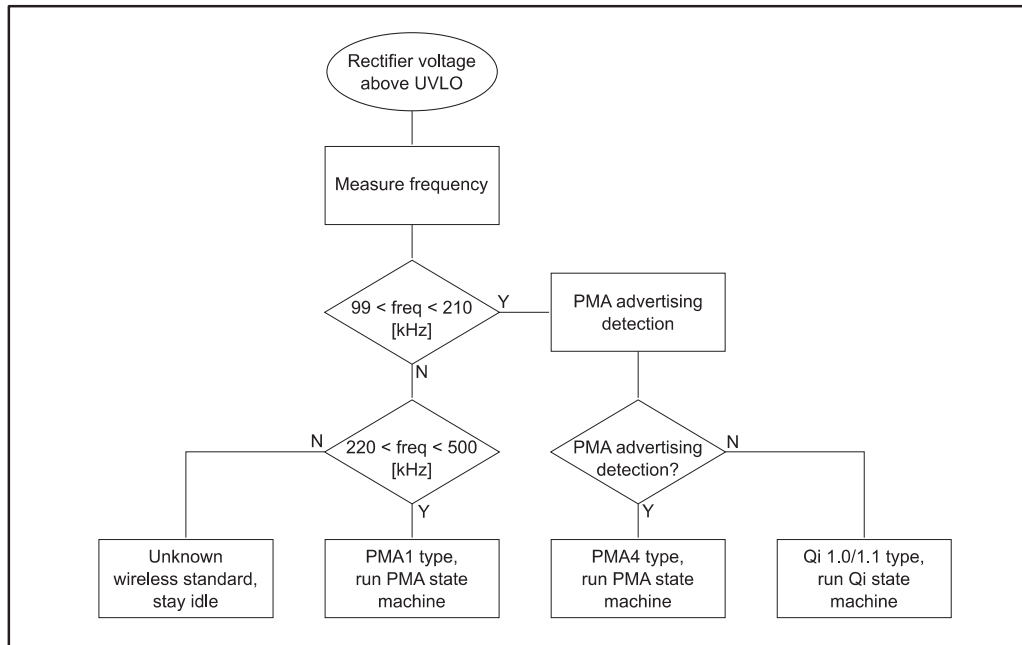


Thanks to very low leakage from VOUT pin, the STWLC03 can remain connected to the battery and does not cause any discharge.

### 5.3 Wireless standard auto-detection

The STWLC03 automatically detects the operating standard when it is placed on a wireless transmitter. Detection is based on combination of operating frequency and receiving FSK signaling from the transmitter.

Figure 5: Wireless standard detection flowchart



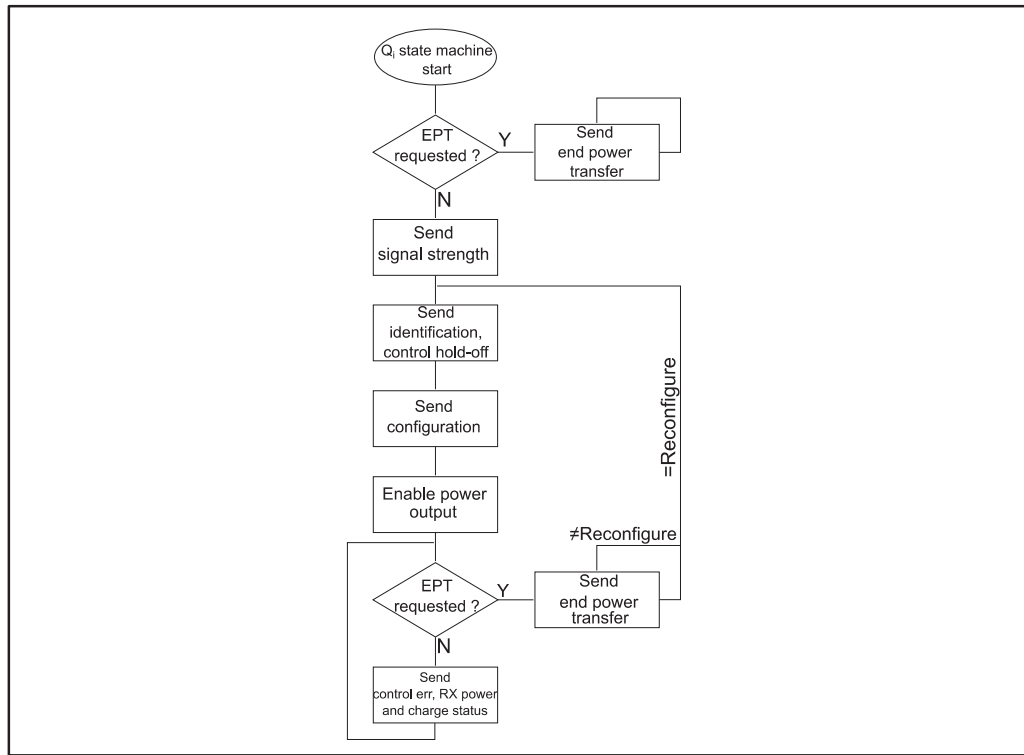
The STWLC03 can be also configured to skip the auto-detection and use directly the pre-configured wireless standard.

## 5.4 Qi operation and flow chart

The STWLC03 follows Qi 1.1.2 version.

When Qi state machine starts, it proceeds through ping and identification and configuration phases to power transfer phase according to Qi wireless power transfer, volume I: low power 1.1.2 specification.

Figure 6: Qi simplified flow diagram



End-power-transfer can be requested because of the following reasons:

Table 7: EPT reasons in Qi

Reason	EPT code
I <sup>2</sup> C “Force EPT” bit set	Unknown (00h)
VEXT above UVLO	
USBOK digital input	
Termination current reached	Charge complete (01h)
Charger in unexpected state	Internal fault (02h)
Step-down overload	
Step-down output overvoltage	
Rx coil NTC above threshold	Overtemperature (03h)
Chip temperature above threshold	
Rectifier output overvoltage	Overvoltage (04h)
Rectifier output overcurrent	Overcurrent (05h)
Charger output voltage above threshold	Battery failure (06h)
I <sup>2</sup> C “Reconfigure” bit set	Reconfigure (07h)

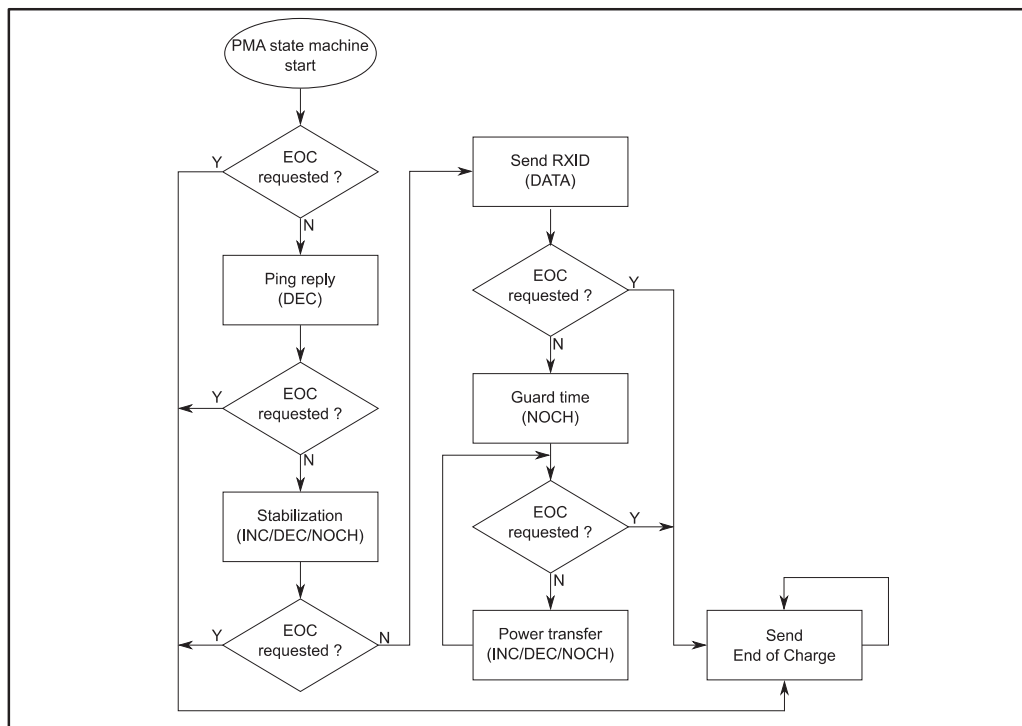
### 5.4.1 Received power calibration (FOD feature)

Although the STWLC03 is well-trimmed, inaccuracy in the received power estimation can be caused in the target application due to manufacturing different environment conditions. Different serial resistances of used receiver coil or different shieldings of the receiver coil (e.g. battery or ground plane in a near proximity of the coil) are the main issues. The STWLC03 features dedicated adjustment options placed in NVM.

## 5.5 PMA operation

The STWLC03 follows PMA1 SR1 specification. When PMA state machine starts, it proceeds through ping and identification phase to power transfer phase according to PMA inductive wireless power and charging receiver specifications, system release 1.

Figure 7: PMA simplified flow diagram



End-of-charge can be requested due to the following reasons:

Table 8: EOC reasons in PMA

Reasons
I <sup>2</sup> C "Force EOC" bit set
VEXT above UVLO
USBOK digital input
Termination current reached
Charger in unexpected state
Step-down overload
Step-down output overvoltage
Rx coil NTC above threshold
Chip temperature above threshold
Rectifier output overvoltage
Rectifier output overcurrent
Charger output voltage above threshold

## 5.6 External power supply

*Figure 8: "External power supply situation"* illustrates the situation where the STWLC03 detects the external voltage presence and drives SWDRV (external voltage) to the output. The STWLC03 also terminates the wireless power transfer.

*Figure 9: "External power supply situation 1"* illustrates the situation where the STWLC03 is assembled in a system with another PMIC that serves multiple power supply inputs. PMIC uses digital line to let the STWLC03 know that there is a higher priority power supply available and the wireless power transfer should be terminated.



For proper operation, RESETn pin must be high. Connecting VEXT power supply, consumption from VIO increases if VIO supply is provided externally. (It has not effect if VIO is connected to VCORE).

Figure 8: External power supply situation

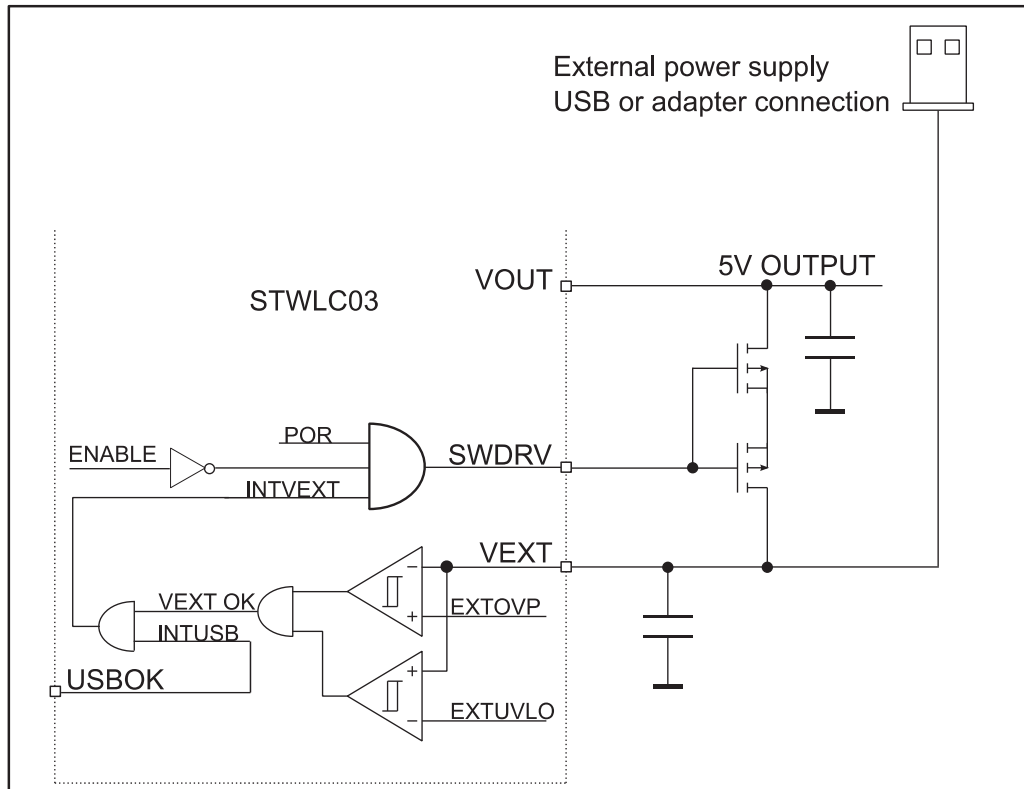
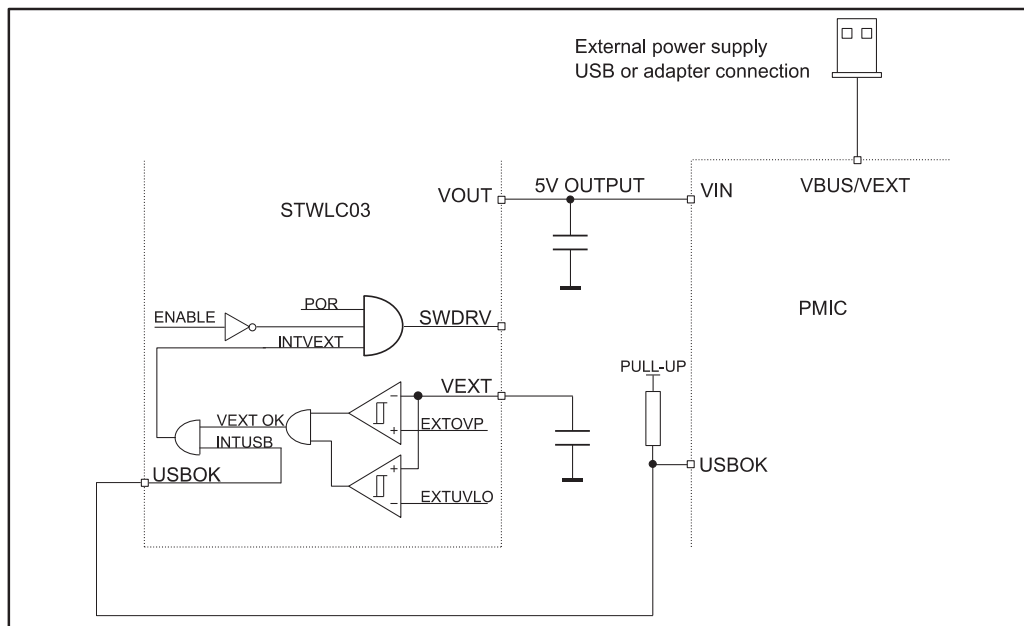


Figure 9: External power supply situation 1



## 5.7 The device interface

The STWLC03 is equipped with I<sup>2</sup>C interface with an open-drain interrupt line to connect with the host system. If I<sup>2</sup>C connection is not used by the host platform, SDA and SCL lines should be pulled-up to VIO voltage. The STWLC03 contains RESETn input. The device under reset conditions has very low power consumption. If reset is not controlled by the host platform it should be pulled-up to VIO voltage. USBOK is a digital input, which terminates power transfer if another preferred power supply is available. The STWLC03 features GPIO pins. By default GPIO 0 only is active and detects power transfer state on wireless interface.



## 6 I<sup>2</sup>C register description

The device I<sup>2</sup>C address is 14h (0010100b).

**Table 9: User register map**

Address	Register
00h	Control
01h	Reserved
02h	Target rectified voltage
03h	Input voltage threshold for output limitation
04h	Reserved
05h	Input current limit
06h	Overload threshold
07h	Buck output voltage
08h	Buck current limit
09h	Chip overtemperature
0Ah	Interrupt mask L
0Bh	Interrupt mask H
0Ch	Interrupt status L
0Dh	Interrupt status H
0Eh	Interrupt latch L
0Fh	Interrupt latch H
10h	Operation mode detection status
11h	Operation mode detection control
12h	Qi charge status packet content
13h	Charger status
14h	Charger control

**Table 10: Control register**

b7	b6	b5	b4	b3	b2	b1	b0	
Force/EPT	Disable/EPT on error	Qi reconfigure	-	-	-	-	USBcon_cnf	R/W
Loaded from NVM at startup								Default

USBcon\_cnf:

0: auto connect switch + disable buck + send EPT@VEXT/disable buck + send EPT@USBOK

1: ignore VEXT/USBOK completely

Qi reconfigure:

0: no action

1: send reconfigure packet (auto-clear)

Disable EPT on error:

0: automatically send EPT to OVP, overload, overtemperature or buck fault

1: do not send EPT automatically, wait for master

Force EPT:

0: no action

1: send EPT (auto-clear)

**Table 11: Target rectified voltage register (register address 02h)**

b7	b6	b5	b4	b3	b2	b1	b0	
TARGET_VRECT[7:0]								R/W
Loaded from NVM at startup								Default

The target rectifier output voltage.

Rectified voltage = 0.25 V \* TARGET\_VRECT

Valid range 14h - 30h (5 V - 12 V).

**Table 12: Input voltage threshold for output power limitation register (register address 03h)**

b7	b6	b5	b4	b3	b2	b1	b0	
-	-	VRMIN[5:0]						R/W
Loaded from NVM at startup								Default

VRMIN represents a VRECT voltage threshold where step-down converter applies output power limitation to prevent VRECT from dropping too low.

Threshold = 5.0 V + VRMIN \* 0.2 V

Valid range from 00h to 0Ah (5.0 V – 7 V). Recommended value is 01h (5.2 V).

**Table 13: Input current limit register (register address 05h)**

b7	b6	b5	b4	b3	b2	b1	b0	
INPUT_CURR_LIMIT[7:0]								R/W
Loaded from NVM at startup								Default

Output power does not exceed this input current limit. The current is sensed on the sensing resistor ( $R_s$ ).

Input current limit =  $(1.625 \text{ mV} + \text{INPUT\_CURR\_LIMIT} * 0.325 \text{ mV}) / R_s$ .

Valid range from 00h to F6h (0.001625 V – 0.0816 V ~ 16.25 mA – 816 mA @ 100 mΩ  $R_s$ ).

**Table 14: Overload threshold register (register address 06h)**

b7	b6	b5	b4	b3	b2	b1	b0	
-	-	-	-	OVERLOAD_THRD[3:0]				R/W
Loaded from NVM at startup								Default

This register configures overcurrent protection threshold, sensed on the sensing resistor ( $R_s$ ). Voltage represents the voltage drop caused by current flowing through the sensing

resistor. Overcurrent protection threshold =  $(6.25 \text{ mV} + \text{OVERLOAD\_THRD} * 6.25 \text{ mV}) / R_s$ .

Valid range 00h – 0Fh (6.25 mV – 100 mV ~ 0.0625 A – 1 A @ 100 mΩ  $R_s$ ).

**Table 15: Step-down output voltage register (register address 07h)**

b7	b6	b5	b4	b3	b2	b1	b0	
-	-	-	-	-	STEP_DOWN_OUTPUT_VOLT[2:0]			R/W
Loaded from NVM at startup								Default

This register sets step-down converter feedback reference voltage. Output voltage is derived from the feedback voltage through the feedback resistor divider.

Table below shows values of the reference voltage of the step-down converter for each setting and the VOUT voltage assuming the typical recommended feedback resistor divider.

**Table 16: Step-down converter feedback voltages**

BUCK_OUTPUT_VOLT	STEP_DOWN FB REF [V]	VOUT [V]
000	0.57	3.30
001	0.62	3.60
010	0.70	4.10
011	0.72	4.20
100	0.86	5.00

**Table 17: Buck current limit register**

b7	b6	b5	b4	b3	b2	b1	b0	
-	-	-	-	BUCK_ILIM[3:0]			R/W	
Loaded from NVM at startup								Default

This register sets the peak coil current limit value of the buck converter.

Peak current = 250 mA + BUCK\_ILIM \* 250 mA.

Valid range from 00h to 04h (250 mA – 1250 mA).

**Table 18: Chip overtemperature threshold register (register address 09h)**

b7	b6	b5	b4	b3	b2	b1	b0	
CHIP_OVERTEMP_THRESHOLD[7:0]								R/W
Loaded from NVM at startup								Default

This threshold is compared to the value read by the AD converter from the chip temperature channel divided by 4.

**Table 19: Interrupt mask L register (register address 0Ah)**

b7	b6	b5	b4	b3	b2	b1	b0	
INT_MASK_L								R/W
Loaded from NVM at startup								Default

Interrupt mask register ( INT output only is masked, no effect on EPT):

b0: buck fault  
 b1: overload  
 b2: chip overtemperature  
 b3: coil overtemperature  
 b4: VRECT overvoltage  
 b5: VEXT (external voltage connection)  
 b6: USB OK (USB connection)  
 b7: standard detection finished  
 0 = interrupt not masked  
 1 = interrupt masked

**Table 20: Interrupt mask H register ( register address 0Bh)**

b7	b6	b5	b4	b3	b2	b1	b0	
INT_MASK_H								R/W
Loaded from NVM at startup								Default

Interrupt mask register (INT output only is masked, no effect on EPT):

b0: charging finished  
 b1: charger internal fault  
 b2: charger battery fail  
 b3: not used  
 b4: not used  
 b5: not used  
 b6: not used  
 b7: not used  
 0 = interrupt not masked  
 1 = interrupt masked

**Table 21: Interrupt status L register ( register address 0Ch)**

b7	b6	b5	b4	b3	b2	b1	b0	
INT_STATUS_L								Read only
0	0	0	0	0	0	0	0	Default

b0: N/A  
 b1: N/A  
 b2: chip overtemperature  
 b3: coil overtemperature  
 b4: N/A  
 b5: VEXT (external voltage connection)  
 b6: USB OK (USB connection)

b7: standard detection finished

Bit value 1 means valid, 0 means not valid.

**Table 22: Interrupt status H register**

b7	b6	b5	b4	b3	b2	b1	b0	
INT_STATUS_H								Read only
1	0	0	0	0	0	0	0	Default

b0: charging finished

b1: charger internal fault

b2: charger battery fail

b3: N/A

b4: N/A

b5: N/A

b6: N/A

b7: N/A

Bit value 1 means valid, 0 means not valid.

**Table 23: Interrupt latch L register**

b7	b6	b5	b4	b3	b2	b1	b0	
INT_LATCH_L								Read/clear
0	0	0	0	0	0	0	0	Default

b0: buck fault

b1: overload

b2: chip overtemperature

b3: coil overtemperature

b4: VRECT overvoltage

b5: VEXT (external voltage connection)

b6: USB OK (USB connection)

b7: standard detection finished

Bit value 1 means valid, 0 means not valid.

**Table 24: Interrupt latch H register**

b7	b6	b5	b4	b3	b2	b1	b0	
INT_LATCH_H								Read/clear
0	0	0	0	0	0	0	0	Default

b0: charging finished

b1: charger internal fault

b2: charger battery fail

b3: N/A

b4: N/A

b5: N/A

b6: N/A

b7: power ON in I<sup>2</sup>C driven standard detection mode

Bit value 1 means valid, 0 means not valid.

**Table 25: Operation mode detection status register**

b7	b6	b5	b4	b3	b2	b1	b0	
Wireless powered			Forced	OP_STANDARD				Read only
0	0	0	0	0	0	0	0	Default

Wireless powered:

0: no wireless supply (i.e. USB supply)

1: the device is engaged with a wireless pad

FORCED:

0: standard is based on auto-detection

1: standard is forced by NVM configuration

OP\_STANDARD:

0: unknown

1: PMA1

2: PMA4 (low frequency + advertising)

3: Qi 1.0 / Qi 1.1

4: reserved



FORCED flag set + unknown standard means that standard has been detected but it is forbidden by detection configuration

**Table 26: Operation mode detection control register (register address 11h)**

b7	b6	b5	b4	b3	b2	b1	b0	
-	-	-	-	OP_STANDARD				R/W
0	0	0	0	0	0	0	0	Default

OP\_STANDARD:

1: PMA1

2: PMA4 (low frequency + advertising)

3: Qi 1.0 / Qi 1.1

4: reserved



This register is functional only in combination with “I<sup>2</sup>C master driven” detection configuration

**Table 27: Qi charge status register (register address 12h)**

b7	b6	b5	b4	b3	b2	b1	b0	
Qi_CHARGE_PACKET								R/W
1	1	1	1	1	1	1	1	Default

Available in Qi mode only. It contains a value that is sent to the Qi charge status packet. Values in the range from 0 to 100 provide percentage of the battery capacity. If there is no need to use the charge status packets, this register should be set to FFh.

**Table 28: Charger status register (register address 13h)**

b7	b6	b5	b4	b3	b2	b1	b0	
CHARGER_STATUS								R/W
x	x	x	x	x	x	x	x	Default

CHARGER\_STATUS:

- 0: off
- 1: pre-charge
- 2: fast charge
- 3: termination counter running
- 4: battery OVP

**Table 29: Charger control register**

b7	b6	b5	b4	b3	b2	b1	b0	
CHARGER_CONTROL								R/W
Loaded from NVM at startup								Default

CHARGER\_CONTROL:

- 0: disabled
- 1: enabled

## 6.1 ADC measured values

**Table 30: ADC measured value register map**

Address	Register
20-21h	Rectified voltage
22-23h	Rectifier output current
24-25h	Rx coil NTC voltage
26-27h	Output voltage
28-29h	Rectifier internal drop voltage
2A-2Bh	Chip temperature

Address	Register
2C-2Dh	ADC calibration channel
2E-2Fh	Received power (Qi only)

Table 31: Rectified voltage (VRECT)

Address 20h								Address 21h							
b7	b6	b5	b4	b3	b2	b1	b0	b7	b6	b5	b4	b3	b2	b1	b0
-	-	-	-	-	-	-	-	VRECT_MEAS[9:0]							

Rectified voltage VRECT is sensed on VRECT pin.

$$V_{RECT} = VRECT\_MEAS * VRECT\_Div * 1.46 \text{ mV.}$$

Nominal VRECT\_Div value is 11 but the real value is trimmed for each device to match internal analog parameters.

Table 32: Rectified output current (IRECT)

Address 22h								Address 23h							
b7	b6	b5	b4	b3	b2	b1	b0	b7	b6	b5	b4	b3	b2	b1	b0
-	-	-	-	-	-	-	-	LOAD_CURR_MEAS[9:0]							

Load current I<sub>LD</sub> is measured as a voltage drop V<sub>LD</sub> on the current sensing resistor (R<sub>S</sub>).

$$V_{LD} = (LOAD\_CURR\_MEAS - VLD\_offset) / VLD\_Gain * 1.46 \text{ mV.}$$

Nominal VLD\_Gain value is 12 but the real value is trimmed for each device to match internal analog parameters.

Nominal VLD\_Offset value is 341 but the real value is trimmed for each device to match internal analog parameters.

$$I_{LD} = V_{LD}/R_S$$

Table 33: RX coil NTC voltage

Address 24h								Address 25h							
b7	b6	b5	b4	b3	b2	b1	b0	b7	b6	b5	b4	b3	b2	b1	b0
-	-	-	-	-	-	-	-	RX_NTC__MEAS[9:0]							

NTC voltage V<sub>NTC</sub> is sensed on NTCRX pin.

$$V_{NTC} = RX\_NTC\_MEAS * 1.46 \text{ mV.}$$

Voltage to temperature conversion depends on the used NTC and the R<sub>1</sub> divider.

Table 34: VOUT voltage

Address 26h								Address 27h							
b7	b6	b5	b4	b3	b2	b1	b0	b7	b6	b5	b4	b3	b2	b1	b0
-	-	-	-	-	-	-	-	VOUT__MEAS[9:0]							

Output voltage VOUT is sensed on VOUT pin



$$V_{OUT} = V_{OUT\_MEAS} * V_{OUT\_Div} * 1.46 \text{ mV}$$

Nominal  $V_{OUT\_Div}$  value is 6 but the real value is trimmed for each device to match internal analog parameters.

**Table 35: VDROP voltage**

Address 28h								Address 29h							
b7	b6	b5	b4	b3	b2	b1	b0	b7	b6	b5	b4	b3	b2	b1	b0
-	-	-	-	-	-	-	-	VDROP_MEAS[9:0]							

Rectifier drop voltage  $V_{DROP}$  is sensed internally on rectifier power stages.

$$V_{DROP} = (VDROP\_MEAS - VDROP\_Offset) / VDROP\_Gain * 1.46 \text{ mV.}$$

Nominal  $VDROP\_Gain$  value is 6 but the real value is trimmed for each device to match internal analog parameters.

Nominal  $VDROP\_Offset$  value is 136 but the real value is trimmed for each device to match internal analog parameters.

**Table 36: Chip temperature**

Address 28h								Address 29h							
b7	b6	b5	b4	b3	b2	b1	b0	b7	b6	b5	b4	b3	b2	b1	b0
-	-	-	-	-	-	-	-	CHIP_TEMP_MEAS[9:0]							

Chip temperature  $T_J$  measured internally.

$$T_J = CHIP\_TEMP\_MEAS * (-0.57) + 430$$

**Table 37: Ground voltage**

Address 2Ch								Address 2Dh							
b7	b6	b5	b4	b3	b2	b1	b0	b7	b6	b5	b4	b3	b2	b1	b0
-	-	-	-	-	-	-	-	GND_MEAS[9:0]							

Ground voltage  $V_G$  is sensed directly on internal ground node.

$$V_G = GND\_MEAS * 1.46 \text{ mV.}$$

**Table 38: RX\_POWER**

Address 2Eh								Address 2Fh							
b7	b6	b5	b4	b3	b2	b1	b0	b7	b6	b5	b4	b3	b2	b1	b0
RX_POWER[15:8]								RX_POWER[7:0]							

This value is valid in Qi mode only. It contains the last calculated received power.  $RX\_POWER[15:8]$  corresponds to the data sent, the 8-bit received, power packet sent during communication with Qi transmitter.  $RX\_POWER[7:0]$  is a fraction of 256.

## 6.2 Service registers

These registers allow access the NVM and the firmware version number. Registers in address range 50h-5Fh are used as data buffer for operations with non-volatile memory (NVM). Register at address 4Fh serves as a command register.

Table 39: Service register map

Address	Register
40h	Firmware version
4Fh	NVM control
50-5Fh	Data manipulation registers

Table 40: NVM control

b7	b6	b5	b4	b3	b2	b1	b0	
NVM_WR	NVM_RD			NVM_SECT[3:0]				R/W
0	0	0	0	0	0	0	0	Default

NVM\_WR bit:

0: no action

1: write data into NVM sector (auto-clear)

NVM\_RD bit:

0: no action

1: read data from NVM sector (auto-clear)

NVM\_SECT contains the address of the sector in the NVM, which should be used for reading or writing operations.

Data to write must be prepared in data manipulation registers before starting writing operation into the control register.

Byte 00 of the NVM sector is located in data manipulation register address 50h, byte 01 in register 51h etc. according to the following table:

Table 41: I2C registers corresponding to bytes in NVM sector

Data manipulation register	50	51	52	53	54	55	56	57	58	59	5A	5B	5C	5D	5E	5F
NVM byte	00	01	02	03	04	05	06	07	08	09	0A	0B	0C	0D	0E	0F

## 7 Non-volatile memory

Non-volatile memory (NVM) contains 2048 bits organized into 16 sectors. The first 15 sectors are available for the firmware. I<sup>2</sup>C access is through service registers.

### 7.1 NVM sector maps

Table 42: Non-volatile memory sector map

Sector	Content
00	Trimming and configuration data
01	Trimming and configuration data
02	Trimming and configuration data
03	Trimming and configuration data
04	Platform HW parameters (Resr, Rs, FOD offset)
05	Default values for user registers in Qi mode
06	Reserved for future use
07	Qi identification and configuration packet content (ID, vendor, power class)
08	Reserved for future use
09	Reserved for future use
0A	Reserved for future use
0B	Reserved for future use
0C	Reserved for future use
0D	Termination current, charging parameters
0E	Reserved for future use

#### Sector 00, 01, 02, 03

These sectors contain trimming and configuration data. Any modification could degrade the performance of the device.

#### Sector 04

This sector contains hardware parameters.

Table 43: Map of NVM sector 04

Byte	Parameter	STWLC03 default value
00	Resr	00h
01		01h
02	RxPower offset	DCh
03		05h
04	Rs	33h
05		Not used

Byte	Parameter	STWLC03 default value
06		
07		
08		
09		
10		
11		
12		
13		
14		
15		

Table 44: Byte 0

Byte 0							
b7	b6	b5	b4	b3	b2	b1	b0
Resr [7:0] (LSB)							

Table 45: Byte 1

Byte 1							
b7	b6	b5	b4	b3	b2	b1	b0
Resr [15:8] (MSB)							

Rx coil resistance. Resr is a 16 bit unsigned valued in Ohm multiplied by 1024. This value is used when power losses are estimated during RxPower calculation in Qi mode.

Table 46: Byte 2

Byte 2							
b7	b6	b5	b4	b3	b2	b1	b0
RxPower offset [7:0] (LSB)							

Table 47: Byte 3

Byte 3							
b7	b6	b5	b4	b3	b2	b1	b0
RxPower offset [15:8] (MSB)							

RxPower offset is a 16-bit signed value that is added to the RxPower calculated in Qi mode. It tunes the accuracy and compensates potential additional losses in the magnetic field caused by a presence of other objects such as the PCB or battery.

Table 48: Byte 4

Byte 4							
b7	b6	b5	b4	b3	b2	b1	b0
Rs[7:0]							

This parameter represents the value of the current sensing resistor  $R_s$  in Ohm multiplied by 1024. This value is necessary for RxPower calculation in Qi mode.

### Sector 05

This sector contains default register values for Qi mode that are loaded into internal I<sup>2</sup>C registers after the startup of the microcontroller.

Table 49: Map of NVM sector 05

Byte	Target I <sup>2</sup> C register	STWLC03 default value
00	00h	01h
01	01h	0Fh
02	02h	18h
03	03h	00h
04	04h	01h
05	05h	4Eh
06	06h	05h
07	07h	04h
08	08h	04h
09	09h	80h
10	0Ah	00h
11	0Bh	00h
12		Not used
13		
14		
15		

### Sector 06

This sector is reserved for future use.

### Sector 07

This sector contains data used in identification and configuration packets in Qi mode.

Table 50: Map of NVM sector 07

Byte	Parameter	STWLC03 default value
00	Manufacturer code MSB	00h
01	Manufacturer code LSB	16h
02	Basic device identifier MSB	01h
03	Basic device identifier	02h
04	Basic device identifier	03h
05	Basic device identifier LSB	04h
06	Extended device identifier MSB	11h
07	Extended device identifier	12h
08	Extended device identifier	13h
09	Extended device identifier	14h
10	Extended device identifier	15h
11	Extended device identifier	16h
12	Extended device identifier	17h
13	Extended device identifier LSB	18h
14	Maximum power	0Ah
15	Unused	00h

### Sector 08

This sector contains default register values for PMA mode that are loaded into internal I<sup>2</sup>C registers after start-up of the microcontroller.

Table 51: Map of NVM sector 08

Byte	Target I <sup>2</sup> C register	STWLC03 default value
00	00h	01h
01	01h	19h
02	02h	1Dh
03	03h	01h
04	04h	0Ah
05	05h	C3h
06	06h	09h
07	07h	04h
08	08h	0Dh
09	09h	7Ah
10	0Ah	00h
11	0Bh	00h
12		Not used
13		Not used
14		Not used
15		Not used

**Sector 09**

This sector is reserved for future use.

**Sector 10**

This sector contains PMA RXID and its CRC.

Table 52: Map of NVM sector 10

Byte	Parameter	Default value
00	Preamble	00h
01	Message ID	AAh
02	Certification version	10h
03	RXID LSB	00h
04	RXID	00h
05	RXID	00h
06	RXID	25h
07	RXID	50h
08	RXID MSB	02h
09	CRC LSB	63h
10	CRC MSB	25h
11	Not used	00h
12	Not used	00h
13	Not used	00h
14	Not used	00h
15	Not used	00h

**Sector 11, 12**

These sectors are reserved for future use.

**Sector 13**

Charging parameters are stored in this sector.



Table 53: Map of NVM sector 13

Byte	STWLC03 default value
00	26h
01	24h
02	03h
03	4Ch
04	CCh
05	Not used
06	Not used
07	Not used
08	4Dh
09	24h
10	03h
11	4Ch
12	CCh
13	Not used
14	Not used
15	Not used

Table 54: Byte 0 Qi\_EPT\_threshold [7:0]

Byte 0							
b7	b6	b5	b4	b3	b2	b1	b0
Qi_EPT_threshold [7:0]							

It sets the threshold for charging termination. Current has not be sensed on the output but on  $R_s$  sensing resistor.

$Qi\_EPT\_threshold$  is directly compared with  $(LOAD\_CURR\_MEAS/2)$ .



This parameter is active both in fixed output voltage mode and in charger mode.

Table 55: Byte 1, Qi\_EPT\_Time [7:0]

Byte 1							
b7	b6	b5	b4	b3	b2	b1	b0
Qi_EPT_Time [7:0]							

$Qi\_EPT\_Time$  is end-of-power transfer deglitch time in minutes. If the charging current is permanently lower than  $Qi\_EPT\_threshold$  for more than  $Qi\_EPT\_Time$ , the end-of-power transfer packet is sent to the transmitter.



This parameter is active both in fixed output voltage mode and in charger mode.

**Table 56: Byte 2, Qi charger enable**

Byte 2							
b7	b6	b5	b4	b3	b2	b1	b0
Qi charger enable	-	-	-	-	Qi target voltage [2:0]		

Qi charger enable bit:

0: charging algorithm is not active after startup

1: charging algorithm is active after startup

**Table 57: Qi target voltage**

Qi target voltage	Charging voltage [V]
0	3.3
1	3.6
2	4.1
3	4.2
4	5.0

**Table 58: Byte 3, Q1\_Precharge\_Battery\_overvoltage**

Byte 3							
b7	b6	b5	b4	b3	b2	b1	b0
Qi_Precharge_voltage [1:0]		Qi_Battery_overvoltage [5:0]					

Qi\_Precharge\_voltage:

00b: 2.5 V

01b: 2.7 V

10b: 2.9 V

11b: 3.1 V

Battery OVP threshold = (3.3 V + Qi\_Battery\_overvoltage \* 100 mV) / 1024 \* 1000

**Table 59: Byte 4, Q1\_Precharge and Fastcharge**

Byte 4							
b7	b6	b5	b4	b3	b2	b1	b0
Qi_Precharge_current [1:0]		Qi_Fastcharge_current [5:0]					

Qi\_Precharge\_current

00b: 2.5 mV / R<sub>s</sub> (50 mA @ 50 mΩ R<sub>s</sub>)

01b: 5 mV / R<sub>s</sub> (100 mA @ 50 mΩ R<sub>s</sub>)

10b: 7.5 mV / R<sub>s</sub> (150 mA @ 50 mΩ R<sub>s</sub>)

11b:  $10 \text{ mV} / R_s$  (200 mA @ 50 mΩ  $R_s$ )

$Q_i$  Fastcharge current =  $(Q_i\text{Fastcharge\_current} * 2.5 \text{ mV} + 5 \text{ mV}) / R_s$

**Table 60: Byte 8, PMA\_EOC\_theshold [7:0]**

Byte 8							
b7	b6	b5	b4	b3	b2	b1	b0
PMA_EOC_theshold [7:0]							

It sets the threshold for charging termination. Current has not be sensed on the output but on  $R_s$  sensing resistor.

PMA\_EOC\_threshold is directly compared with  $(LOAD\_CURR\_MEAS / 2)$ .



This parameter is active both in fixed output voltage mode and in charger mode.

**Table 61: Byte 9, PMA\_EOC\_Time [7:0]**

Byte 9							
b7	b6	b5	b4	b3	b2	b1	b0
PMA_EOC_Time [7:0]							

PMA\_EOC\_Time is end-of-power transfer deglitch time in minutes. If the charging current is permanently lower than PMA\_EOC\_theshold for more PMA\_EOC\_Time, the end-of-charging signal is sent to the transmitter.



This parameter is active both in fixed output voltage mode and in charger mode.

**Table 62: Byte 10, PMA\_Target\_Voltage [2:0]**

Byte 10							
b7	b6	b5	b4	b3	b2	b1	b0
PMA charger enable	-	-	-	-	PMA_Target_Voltage [2:0]		

PMA charger enable bit:

0: charging algorithm is not active after startup

1: charging algorithm is active after startup

Table 63: PMA target voltage vs charging voltage

PMA target voltage	Charging voltage
0	3.3
1	3.6
2	4.1
3	4.2
4	5.0
5	5.5
6	6.0
7	7.0

Table 64: Byte 11

Byte 11							
b7	b6	b5	b4	b3	b2	b1	b0
PMA_Precharge_voltage[1:0]		-	-	-	PMA_Battery_overvoltage [5:0]		

PMA\_Precharge\_voltage:

00b: 2.5 V

01b: 2.7 V

10b: 2.9 V

11b: 3.1 V

Bat OVP threshold = (3.3 V + PMA\_Battery\_overvoltage \* 100 mV) / 1024 \* 1000

Table 65: Byte 12

Byte 12							
b7	b6	b5	b4	b3	b2	b1	b0
PMA_Precharge_current[1:0]				PMA_Fastcharge_current [5:0]			

PMA\_Precharge\_current:

00b: 2.5 mV / R<sub>s</sub> (50 mA @ 50 mΩ R<sub>s</sub>)

01b: 5 mV / R<sub>s</sub> (100 mA @ 50 mΩ R<sub>s</sub>)

10b: 7.5 mV / R<sub>s</sub> (150 mA @ 50 mΩ R<sub>s</sub>)

11b: 10 mV / R<sub>s</sub> (200 mA @ 50 mΩ R<sub>s</sub>)

PMA Fastcharge current = PMA\_Fastcharge\_current \* 2.5 mV + 5 mV

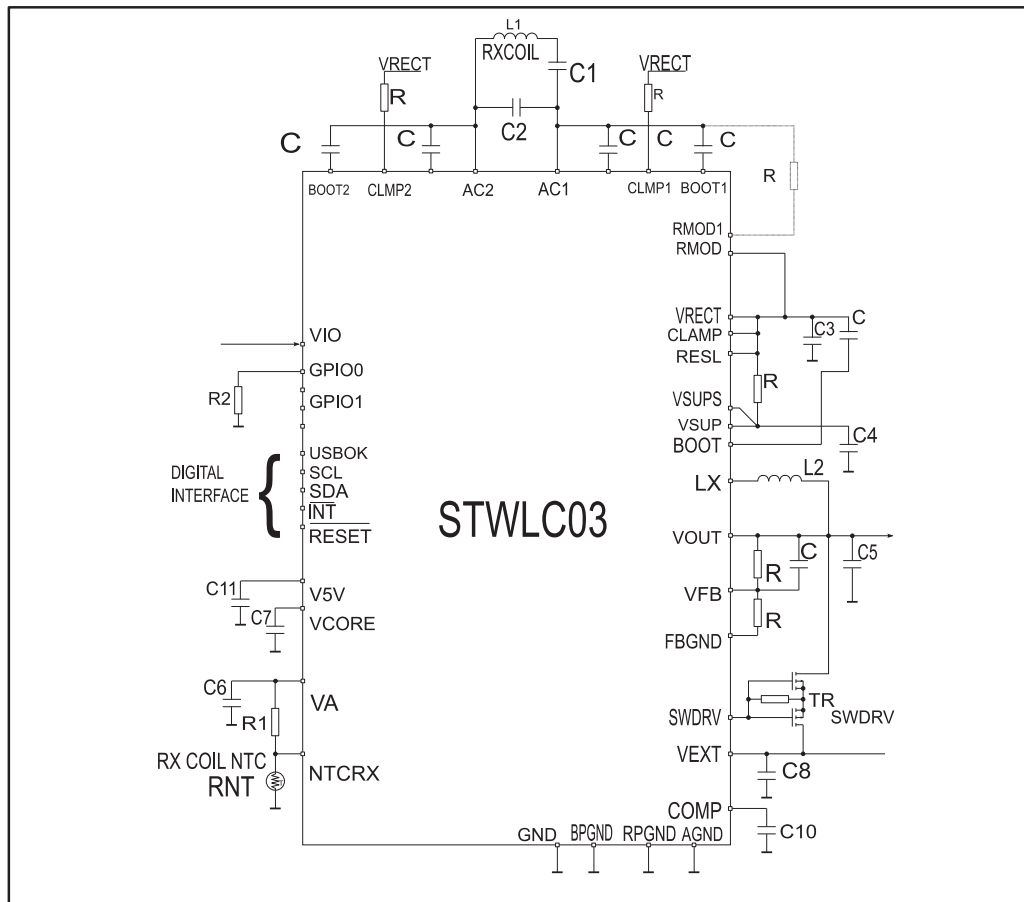
#### Sector 14

This sector is reserved for future use.

## 8 Application information

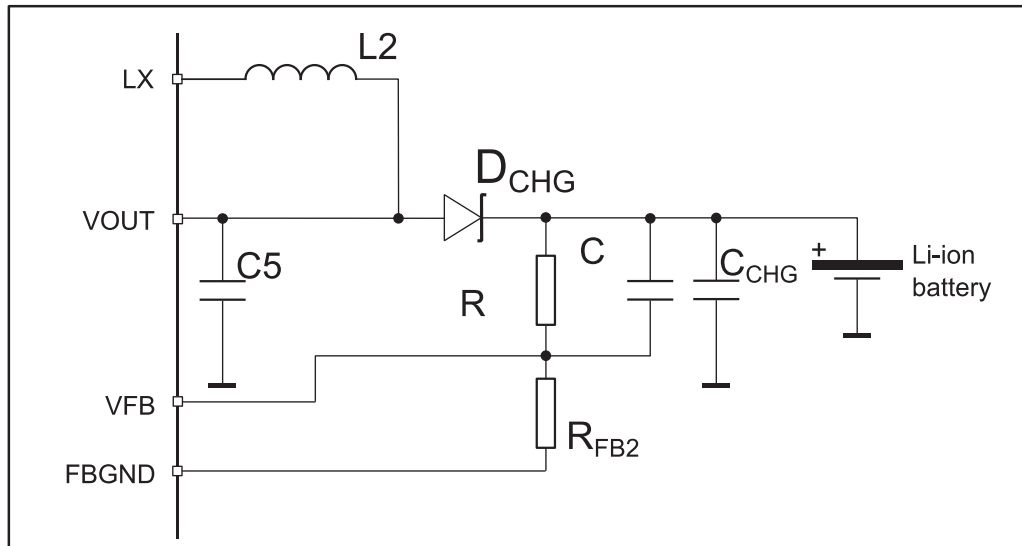
### 8.1 Application schematic and recommended external components

Figure 10: STWLC03 application schematic



RM is an optional component and it is not needed for a typical application. If VEXT detection is disabled, C8 and TRSWDRV are optional.

Figure 11: STWLC03 charger configuration



Before connecting the battery, the STWLC03 has to be configured as a battery charger in NVM.

Table 66: STWLC03 recommended external components

Component	Manufacturer	Part Number	Value	Size
L1	Wurth	760308103215	14.3 uH	48x32x1 mm
	TDK	760308103202	12 uH	48x32x1 mm
L2	TOKO	DFE252012F-1R5	1.5 uH/3.8 A	2.5x2.0x1.2 mm
	CYNTEC	PILE25201D-2R2MS-11	2.2 uH/3.1 A	2.5x2.0x1.4 mm
		PIME041B-2R2MS-11	2.2 uH/4.3 A	4.4x4.2x1 mm
	TDK	SPM3010T-1R0	1 uH/4.5 A	3x3.2x1mm
		TFM1R0GHM	1 uH	2x1.6x1 mm
C1	MURATA	3x GRM188R72A104KA35	100 nF/X7R	0603
C2	MURATA	GRM155R71H332KA01	3.3 nF/C0G	0603
C3	MURATA	2x GRM188R61C106KAAL	10 uF/16 V	0603
	TDK	2x C1608X5R1C106M	10 uF/16 V	0603
C4	MURATA	GRM188R61C106KAAL	10 uF/16 V	0603
CBOOT1, CBOOT2, CBOOT	MURATA	GRM155R61H473KE14	47 nF/50 V	0402
C5	MURATA	2x GRM188R61C106KAAL	10 uF/16 V	0603

Component	Manufacturer	Part Number	Value	Size
C6, C7	MURATA	GRM155R61A105KE15	1 $\mu$ F/10 V	0402
CM1	MURATA	GRM155R71H563KE14	56 nF/50 V	0402
CM2	MURATA	GRM155R71H393KE14	39 nF/50 V	0402
RCL1, RCL2	PANASONIC	ERJ-PA2J150V	15R	0603
RM (optional)			12 $\Omega$	0603
CFB	MURATA	GRM1555C1H150GA01	15 pF	0402
RS	PANASONIC	ERJ-L03KF50MV	0.05 $\Omega$ /1%	0603
R1			51 k $\Omega$	0402
RFB1	TE-CONNECTIVITY	CPF0402B160KE	160 k $\Omega$	0402
RFB2	PANASONIC	ERA-2AEB3322X	33.2 k $\Omega$	0402
RNTC	MURATA		100 k $\Omega$	0402
CCHG (filter)	MURATA	4x GRM188R61C106KAAL	10 $\mu$ F/16 V	0603
DCHG (filter)	STMICROELECTRONICS	STPS3L45AF	3 A/45 V	SMA flat
C8	MURATA	GRM155R61E225KE11	2.2 $\mu$ F/25 V	0402
TR <sub>SWDRW</sub>	FAIRCHILD	FDMA1027P	20 V/3 A dual P-channel FET	2x2x0.8 mm
C10	TDK	GRM155R6YA474KE01	470 nF/35 V	0402
C11	TDK	GRM155R61H104KE19D	100 nF/50 V	0402

Figure 12: VIO and digital interface in standalone application schematic

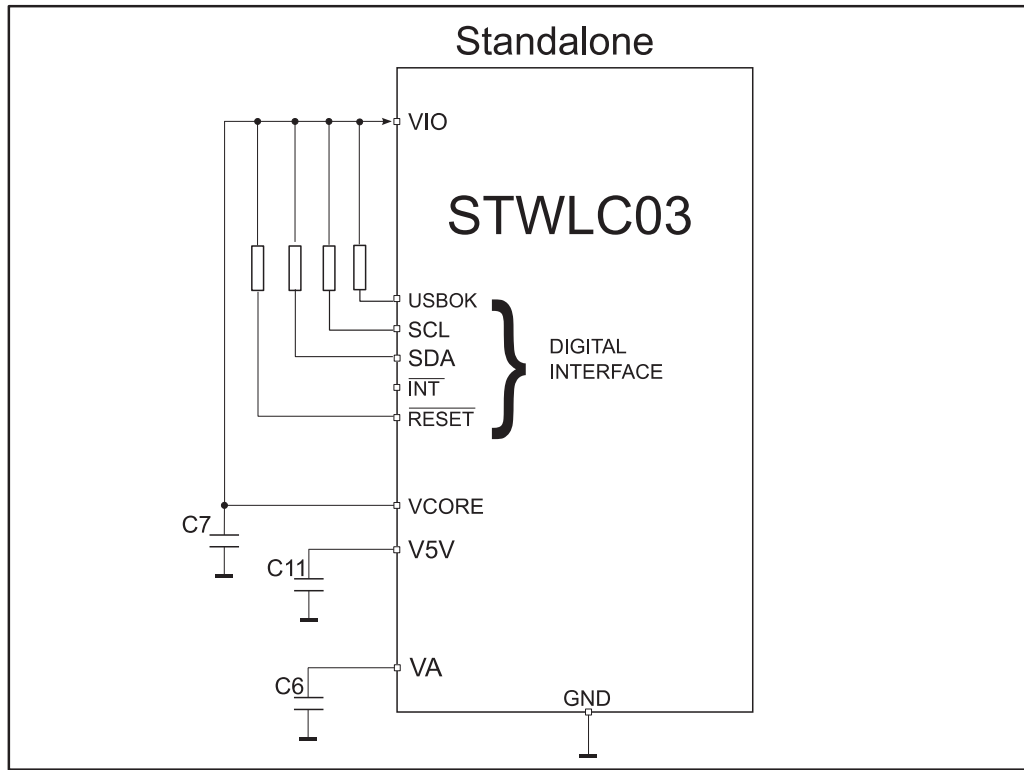
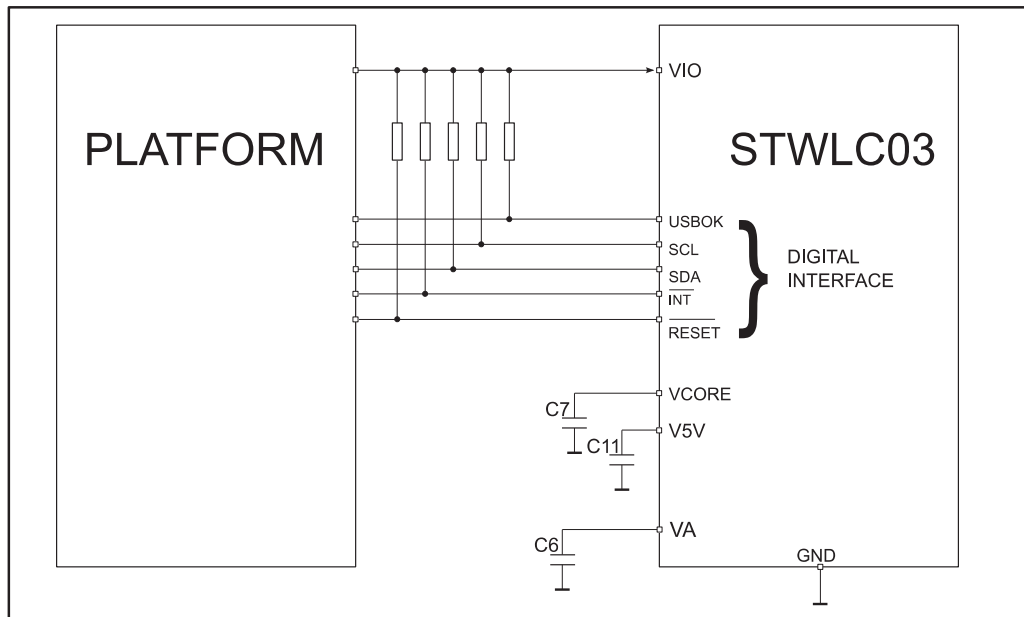


Figure 13: VIO and digital interface in platform application schematic





## 8.2 External passive component selection

### 8.2.1 Input resonant circuit component selection (L1, C1, C2)

The selected RX coil should be optimized by the requested transferred power. The inductance of the coil together with C<sub>1</sub> and C<sub>2</sub> capacitors create an input resonant circuit. Components have to be carefully selected both to keep the resonant frequency compliant with the wireless standard specification and to deliver the power. For more details please see wireless standard specifications.

The following equations show the resonant frequencies, where L<sub>1</sub>' is self-inductance of L<sub>1</sub> placed on the transmitter:

**Equation 1:**

$$f_s = \frac{1}{2 * \pi * \sqrt{L_1' * C_1}}$$

**Equation 2:**

$$f_D = \frac{1}{2 * \pi * \sqrt{L_1 * \left(\frac{1}{C_1} + \frac{1}{C_2}\right)^{-1}}}$$

It is recommended to use high grade ceramic capacitors with C0G dielectrics type. X5R, X7R capacitors can be used for 5 W output power applications.

### 8.2.2 Voltage clamp resistor selection (RCL1, RCL2)

The purpose of these resistors is to load the rectifier output by decreasing the rectified voltage below overvoltage threshold – hysteresis (V<sub>OVP</sub>-V<sub>OVPHYST</sub>), when V<sub>OVP</sub> is reached. 0.2 W resistors with pulse withstanding character are recommended for this application.

### 8.2.3 Load modulation capacitors selection (CM1, CM2)

These capacitors fulfill the backscatter modulation of the communication from the receiver to the transmitter. X5R dielectrics type capacitors are suitable for this purpose. Higher values of these capacitors help to comply to PMA standard, but increase the ripple in the system.

### 8.2.4 Feedback resistor divider components selection (RFB1, RFB2)

Feedback voltage divider gives the ratio between the desired step-down converter output voltage and the given feedback reference voltage. The R<sub>FB1</sub> and R<sub>FB2</sub> resistors should be 0.1% or 0.5% tolerance class.

### 8.2.5 Rx NTC circuit component selection (RNTC, R1)

To protect the receiver coil from overtemperature, the STWLC03 is equipped with a comparator input. If the input voltage crosses certain level (see [Table 4: "Thermal data"](#)), the STWLC03 can react by terminating the power transfer and sending an interrupt to the host system – depending on the configuration. The input voltage given as a ratio from R<sub>NTC</sub> thermistor and R<sub>1</sub> common resistor divider. The divider can be supplied from LDO1 (VA pin) filtering capacitor.

### 8.2.6 Soft-start capacitor selection (C10)

The soft-start capacitor C10 connected to COMP pin influences the ramp-up time of the step-down converter. The nominal  $V_{REF}$  voltage is 1.2 V and the time needed to reach the nominal voltage is given by the following equation:

**Equation 3:**

$$t_{SOFTSTART} = C \cdot 10^6 \cdot VREF[s, F, -, V]$$

Example: 470 nF ~ 560 ms

### 8.2.7 External supply transistor selection

The device contains the function of the connection external voltage supply directly to  $V_{OUT}$  by the external dual P-channel transistor back-to-back connected so to avoid the leakage from  $V_{OUT}$  to the external voltage supply.

### 8.3 Reference PCB layout

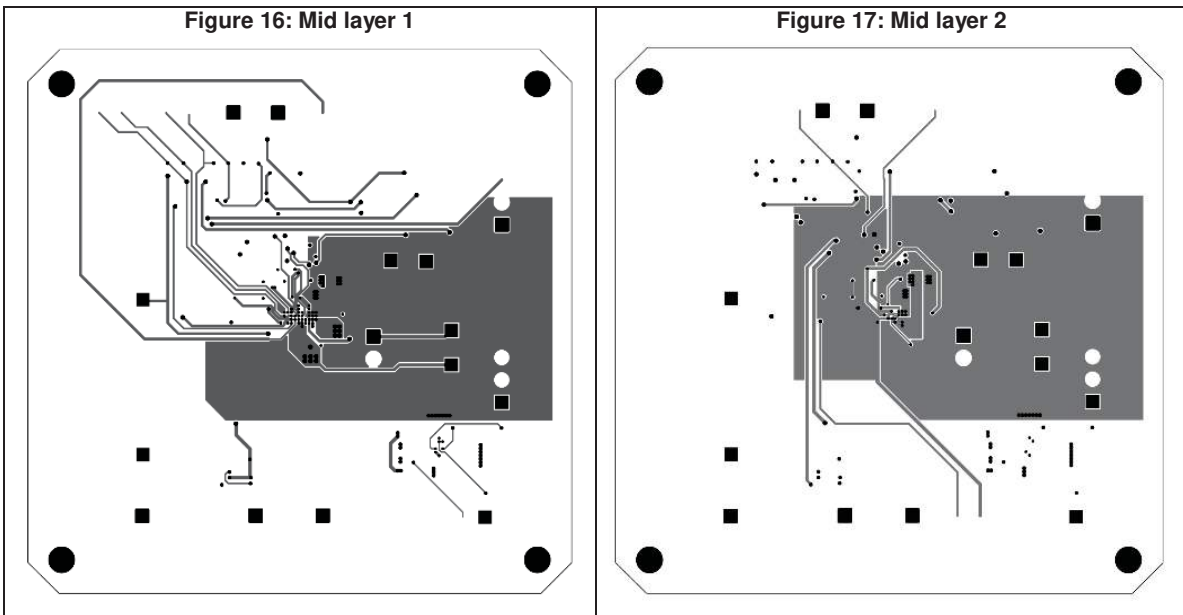
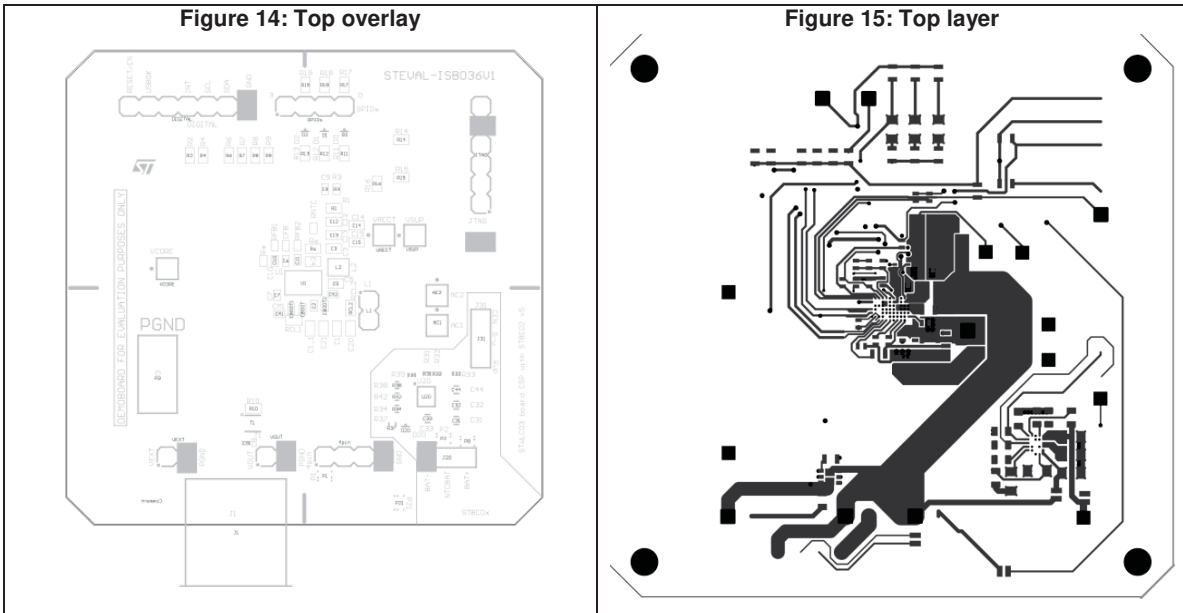
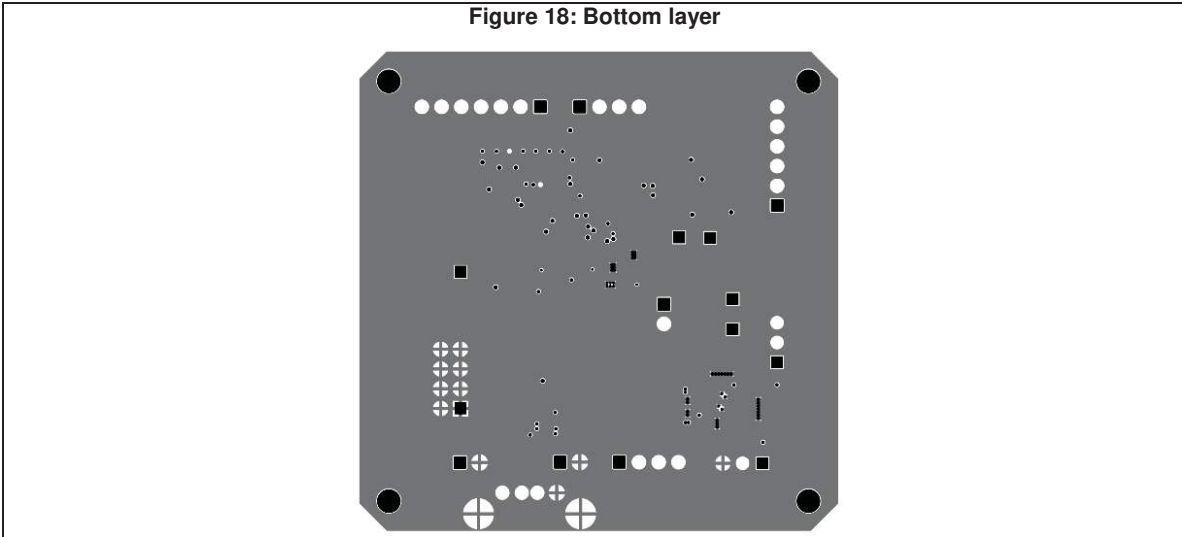


Figure 18: Bottom layer



## 9 Package information

In order to meet environmental requirements, ST offers these devices in different grades of ECOPACK® packages, depending on their level of environmental compliance. ECOPACK® specifications, grade definitions and product status are available at: [www.st.com](http://www.st.com). ECOPACK® is an ST trademark.

### 9.1 Flip Chip 77 bumps (3.12x4.73 mm) package information

Figure 19: Flip Chip 77 bumps (3.12x4.73 mm) package outline

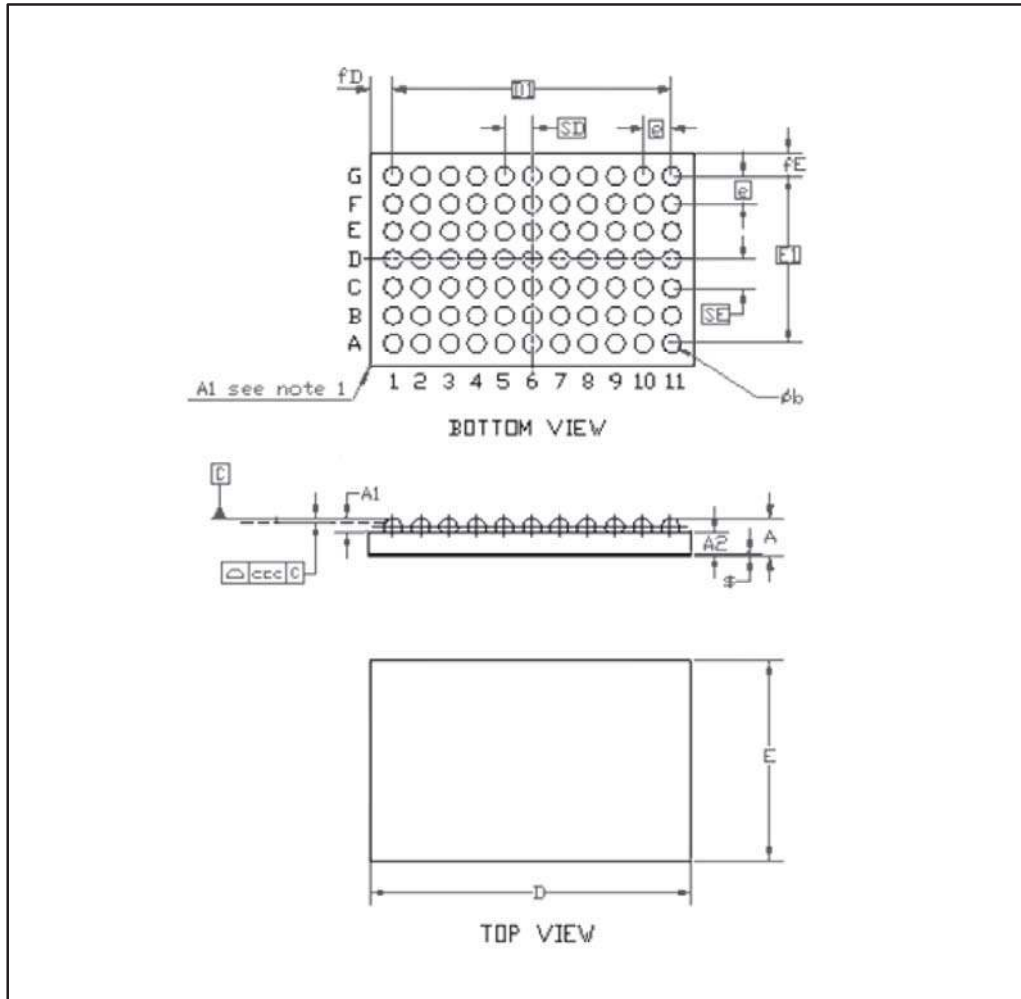


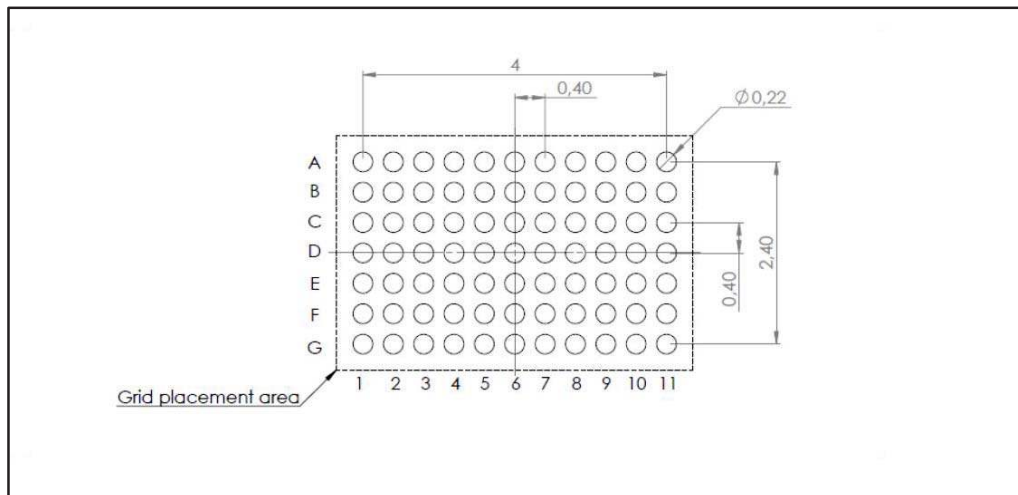
Table 67: Flip Chip 77 bumps (3.12x4.73 mm) package mechanical data

Dim.	mm		
	Min.	Typ.	Max.
A	0.50	0.55	0.60
A1	0.17	0.20	0.23
A2	0.28	0.30	0.32
b	0.23	0.26	0.29
D	4.67	4.70	4.73
D1		4.00	
E	3.06	3.09	3.12
E1		2.40	
e		0.40	
SD		0.20	
SE		0.20	
fD		0.352	
fE		0.346	
\$		0.05	
ccc		0.075	



The terminal A1 on the bump side is identified by a distinguishing feature (for instance by a circular "clear area", typically 0.1 mm diameter) and/or a missing bump. The terminal A1 on the backside of the product is identified by a distinguishing feature (for instance by a circular "clear area", typically between 0.1 and 0.5 mm diameter, depending on the die size).

Figure 20: Flip Chip 77 bumps (3.12x4.73 mm) recommended footprint



## 10 Revision history

Table 68: Document revision history

Date	Revision	Changes
09-Nov-2016	1	Initial release.
14-Mar-2017	2	Updated <i>Section 8.2.1: "Input resonant circuit component selection (L1, C1, C2)"</i> .

**IMPORTANT NOTICE – PLEASE READ CAREFULLY**

STMicroelectronics NV and its subsidiaries ("ST") reserve the right to make changes, corrections, enhancements, modifications, and improvements to ST products and/or to this document at any time without notice. Purchasers should obtain the latest relevant information on ST products before placing orders. ST products are sold pursuant to ST's terms and conditions of sale in place at the time of order acknowledgement.

Purchasers are solely responsible for the choice, selection, and use of ST products and ST assumes no liability for application assistance or the design of Purchasers' products.

No license, express or implied, to any intellectual property right is granted by ST herein.

Resale of ST products with provisions different from the information set forth herein shall void any warranty granted by ST for such product.

ST and the ST logo are trademarks of ST. All other product or service names are the property of their respective owners.

Information in this document supersedes and replaces information previously supplied in any prior versions of this document.

© 2017 STMicroelectronics – All rights reserved