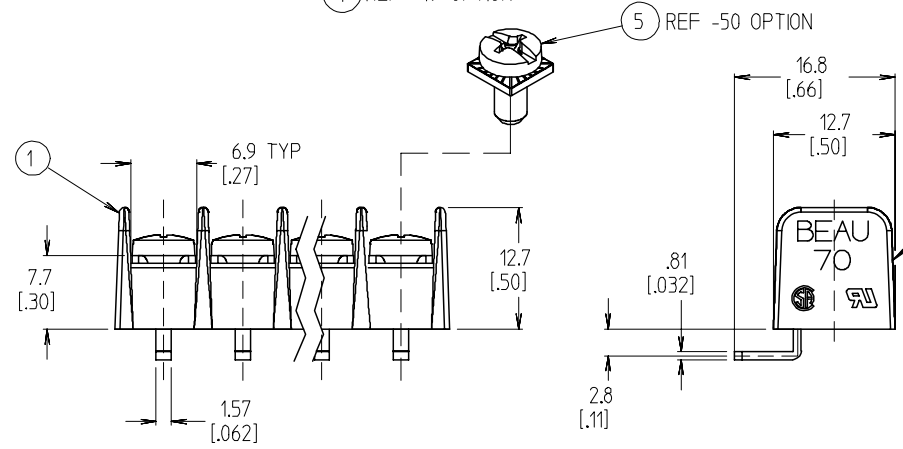
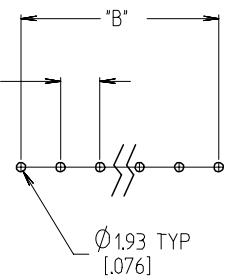


4 CIRCUIT SHOWN



IMPRINT ON THIS SIDE WHERE APPLICABLE



PTH PATTERN SCALE 1:1

NOTES:

1. MATERIAL: SEE TABLE
2. FINISH: SEE TABLE
3. "XX" REFERS TO THE QUANTITY OF CIRCUITS.
4. INCH DIMENSIONS ARE SHOWN IN BRACKETS [XXX].
5. ALL COMPONENTS ARE ROHS COMPLIANT.
6. FOR IMPRINTING SEE SD-38120-001.

5	*XX*	SCREW, #6-32X.250, PAN, PH-SL, W/WSHR (-50 OPTION)	STEEL	ZN, CLEAR CHROMATE
4	*XX*	SCREW, #6-32X.250, PAN, PH-SL (-49 OPTION)	BRASS	NICKEL
3	*XX*	SCREW, #6-32X.250, PAN, PH-SL	STEEL	ZN, CLEAR CHROMATE
2	*XX*	TERMINAL, PC, RA, #6-32	BRASS	TIN
1	1	INSULATOR, SR, MOLDED	THERMOPLASTIC	BLACK
ITEM	QTY	DESCRIPTION	MATERIAL	FINISH

INITIAL RELEASE	QUALITY SYMBOLS
EC NO: ETC2007-0010	▽=0
DRW: NEHLE 2006/08/07	▽=0
CHKD: IMACNEIL 2006/08/08	
APPR: RDEROSS 2006/08/09	
REV	DESCRIPTION
A	

GENERAL TOLERANCES (UNLESS SPECIFIED)	
mm	INCH
4 PLACES ± ---	± ---
3 PLACES ± ---	± .005
2 PLACES ± 0.13	± .01
1 PLACE ± 0.3	± ---
ANGULAR ± 2 °	
DRAFT WHERE APPLICABLE MUST REMAIN WITHIN DIMENSIONS	

DIMENSION STYLE	
MM/IN	
DRAWN BY	DATE
EHILE	2006/07/25
CHECKED BY	DATE
RDEROSS	2006/07/25
APPROVED BY	DATE
RDEROSS	2006/07/25
MATERIAL NO.	DOCUMENT NO.
SEE CHART	SD-38701-003

SCALE	DESIGN UNITS	THIRD ANGLE PROJECTION
2:1	INCH	
TITLE		
8.26MM [0.325] SR BTS PC RA ASSY, NO MTG		
MATERIAL NO.		
MOLEX INCORPORATED		
DOCUMENT NO.		SHEET NO.
SD-38701-003		1 OF 2
THIS DRAWING CONTAINS INFORMATION THAT IS PROPRIETARY TO MOLEX INCORPORATED AND SHOULD NOT BE USED WITHOUT WRITTEN PERMISSION		

NO. OF CIRCUITS "XX"	DIM. "A"		DIM. "B"		ASSEMBLY MATERIAL NO. (-C OPTION)	ASSEMBLY MATERIAL NO. (-C-49 OPTION)	ASSEMBLY MATERIAL NO. (-C-50 OPTION)	ASSEMBLY MATERIAL NO. (-C-50-11B OPTION)
	mm	INCH	mm	INCH				
02	18.4	0.73	8.26	0.325	387015302	-	387015902	-
03	26.7	1.05	16.51	0.650	387015303	387090060	387015903	-
04	34.9	1.38	24.77	0.975	387015304	387090095	387015904	-
05	43.2	1.70	33.02	1.300	387015305	387015605	387015905	-
06	51.4	2.03	41.28	1.625	387015306	387090127	387015906	-
07	59.7	2.35	49.53	1.950	387015307	-	387015907	-
08	67.9	2.68	57.79	2.275	387015308	387015608	387015908	-
09	76.2	3.00	66.04	2.600	387015309	-	387015909	-
10	84.5	3.33	74.30	2.925	387015310	-	387015910	-
11	92.7	3.65	82.55	3.250	387015311	-	387015911	-
12	101.0	3.98	90.81	3.575	387015312	387015612	387015912	-
13	109.2	4.30	99.06	3.900	387015313	-	387015913	-
14	117.5	4.63	107.32	4.225	387015314	-	387015914	-
15	125.7	4.95	115.57	4.550	387015315	-	387015915	387090262
16	134.0	5.28	123.83	4.875	387015316	-	387015916	-
17	142.2	5.60	132.08	5.200	387015317	-	387015917	-
18	150.5	5.93	140.34	5.525	387015318	-	387015918	-
19	158.8	6.25	148.59	5.850	387015319	-	387015919	-
20	167.0	6.58	156.85	6.175	387015320	-	387015920	-
21	175.3	6.90	165.10	6.500	387015321	-	387015921	-
22	183.5	7.23	173.36	6.825	387015322	-	387015922	-
23	191.8	7.55	181.61	7.150	387015323	-	387015923	-
24	200.0	7.88	189.87	7.475	387015324	-	387015924	-
25	208.3	8.20	198.12	7.800	387015325	387015625	387015925	-
26	216.5	8.53	206.38	8.125	387015326	-	387015926	-
27	224.8	8.85	214.63	8.450	387015327	-	387015927	-
28	233.0	9.18	222.89	8.775	387015328	-	387015928	-
29	241.3	9.50	231.14	9.100	387015329	-	387015929	-
30	249.6	9.83	239.40	9.425	387015330	-	387015930	-

INITIAL RELEASE EC NO: ETC2007-0010 DRW: NEHLE 2006/08/07 CHKD: IMACNEIL 2006/08/08 APPR: RDEROSS 2006/08/09 A	QUALITY SYMBOLS ▽=0 ▽=0	GENERAL TOLERANCES (UNLESS SPECIFIED)		DIMENSION STYLE MM/IN		SCALE 2:1	DESIGN UNITS INCH	THIRD ANGLE PROJECTION 	
		mm	INCH	DRAWN BY EHILE	DATE 2006/07/25	TITLE 8.26MM [.325] SR BTS PC RA ASSY, NO MTG			
		4 PLACES ± --- ± ---	3 PLACES ± --- ± .005	CHECKED BY RDEROSS	DATE 2006/07/25	APPROVED BY RDEROSS			
		2 PLACES ± 0.13 ± .01	1 PLACE ± 0.3 ± ---	ANGULAR ± 2 °		MATERIAL NO. SEE CHART		DOCUMENT NO. SD-38701-003	SHEET NO. 2 OF 2
DRAFT WHERE APPLICABLE MUST REMAIN WITHIN DIMENSIONS		THIS DRAWING CONTAINS INFORMATION THAT IS PROPRIETARY TO MOLEX INCORPORATED AND SHOULD NOT BE USED WITHOUT WRITTEN PERMISSION							