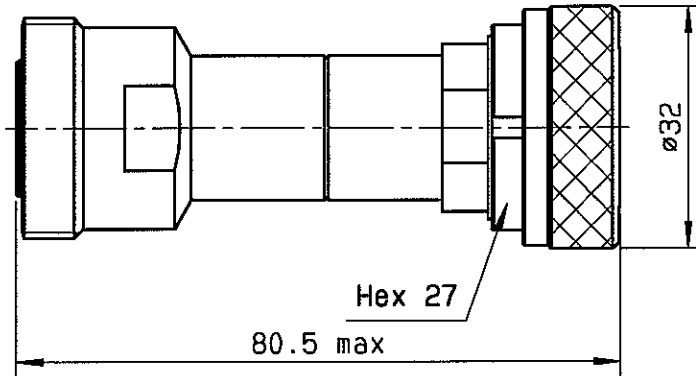


4112-9212 This information is given as an indication. In the continual goal to improve our products, we reserve the right to make any modifications judged necessary



DRAWING



General tolerances: +/- 0.5 mm

R F CHARACTERISTICS

FREQUENCY RANGE : DC - 3 GHz
 IMPEDANCE : 50 Ohms
 ATTENUATION - NOMINAL : 3 dB

FREQUENCY	DC- 2 GHz	2 - 3 GHz
V.S.W.R	<= 1.20	<= 1.30
DEVIATION (dB)	+0.3 / -0.3	+0.5 / -0.5

TEMPERATURE SENSITIVITY : 4×10^{-4} dB / (dB * °C)

PEAK POWER at 25°C (1µs,1%.) : 100 W

AVERAGE POWER at 25°C : 1 W

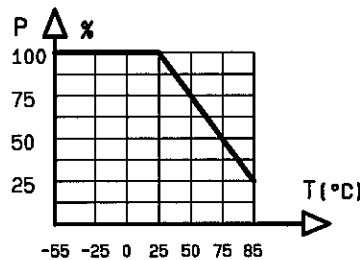
MECHANICAL CHARACTERISTICS

CONNECTORS : 7/16 male/female per IEC 169-4
 WEIGHT : < 205 g

ENVIRONMENTAL CHARACTERISTICS

OPERATING TEMPERATURE RANGE (°C) : -40 , +85
 STORAGE TEMPERATURE RANGE (°C) : -40 , +85

Power derating
Versus temperature



CREATION N° : PEN/EP:H92016 Name:MG Date:24. apr. 96 APP.:AF				
	26.apr.05	Change frequency range	MG	AF
	02.jun.99	New connector body	MG	AF
	ISSUE	REVISIONS	NAME	APPR.

RADIALL®
 101. rue P. Hoffmann -Z.I Ouest-
 93116 ROSNY/BOIS Cedex-FRANCE
 Phone:33(1)49353535
 Fax :33(1)48546363
 Tlx RADIA 235220F