

THIS DRAWING IS UNPUBLISHED.

RELEASED FOR PUBLICATION

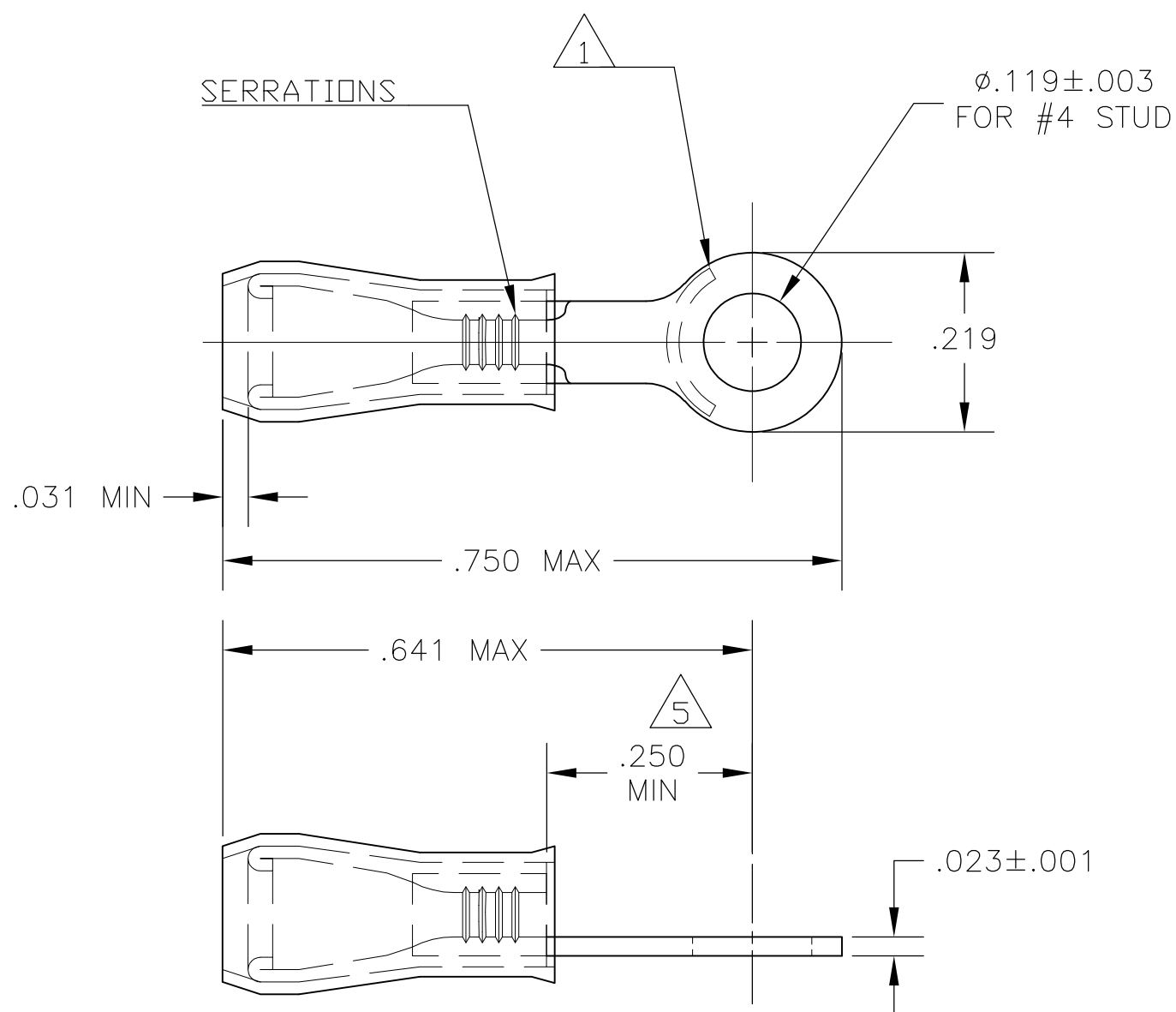
© COPYRIGHT BY TYCO ELECTRONICS CORPORATION.

ALL INTERNATIONAL RIGHTS RESERVED.

LOC G DIST 02

REVISIONS

P	LTR	DESCRIPTION	DATE	DWN	APVD
A1		REV PER ECR 10-004261	25FEB10	JR	TM



- 1 STAMP "AMP 24-20", LOCATED APPROX AS SHOWN ON BOTTOM OF PART.
- 2 FOR INSULATION DIA OF .040 TO .100 DIA.
- 3 MATERIAL
BODY: COPPER PER ASTM B-152 ANNEALED
SLEEVE: COPPER PER ASTM B-152
INSULATION: NYLON
- 4 FINISH
BODY: TIN PLATE PER ASTM B-545
SLEEVE: TIN PL PER ASTM B-545
INSULATION - COLOR-TRANSLUCENT
- 5 APPLIES FROM EDGE OF METAL WIRE BARREL TO CENTER OF STUD HOLE.

150493

PART NO

THIS DRAWING IS A CONTROLLED DOCUMENT.		DWN jr_ruth 25FEB10	Tyco Electronics Corporation Harrisburg, PA 17105-3608		
DIMENSIONS: INCHES		CHK TOM MICHIELUTTI 25FEB10			
TOLERANCES UNLESS OTHERWISE SPECIFIED:		APVD TOM MICHIELUTTI 25FEB10	NAME WIRE TERMINAL, RING TONGUE, PIDG, WIRE SIZE: 24-20		
0 PLC ± - 1 PLC ± - 2 PLC ± - 3 PLC ± .008 4 PLC ± - ANGLES ± 5°		PRODUCT SPEC -	RESTRICTED TO -		
MATERIAL - 3		APPLICATION SPEC -	SIZE A3	CAGE CODE 00779	DRAWING NO C-150493
FINISH - 4		WEIGHT -	CUSTOMER DRAWING		
		SCALE 6:1	SHEET 1 OF 1	REV A1	