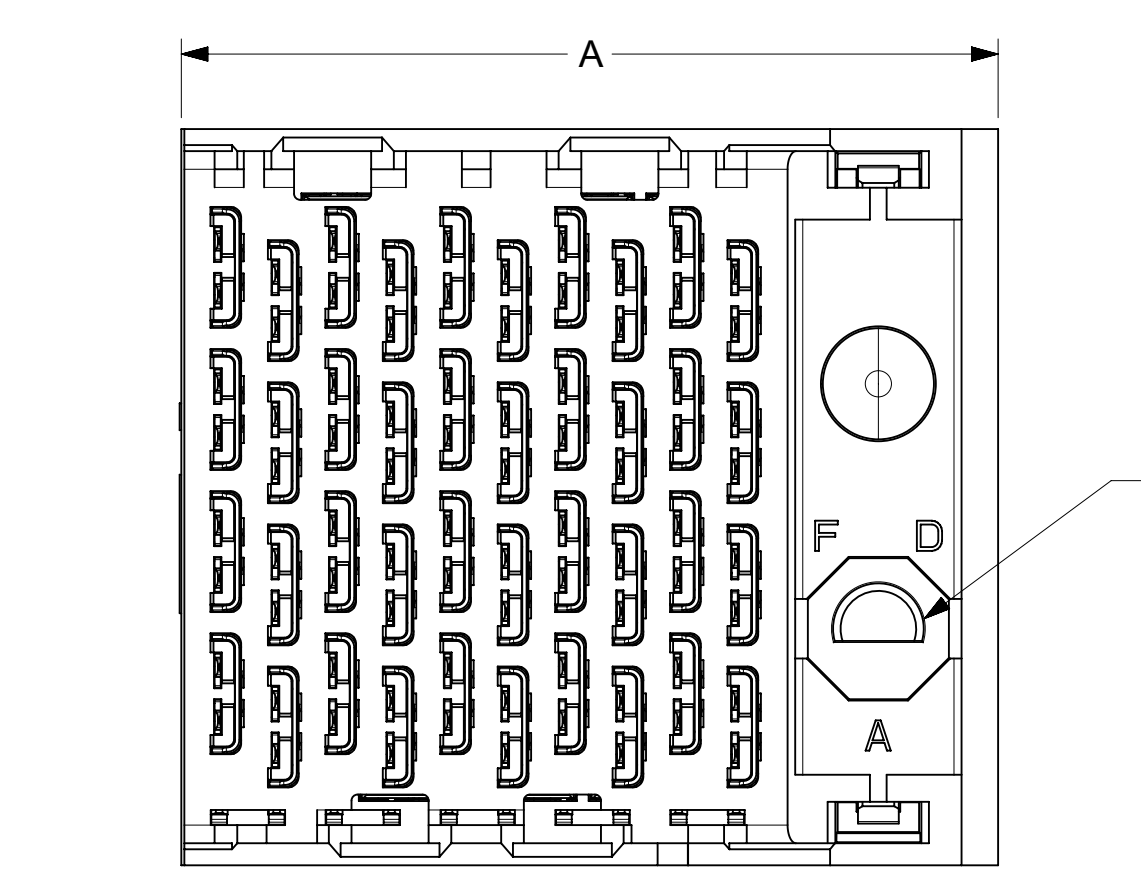
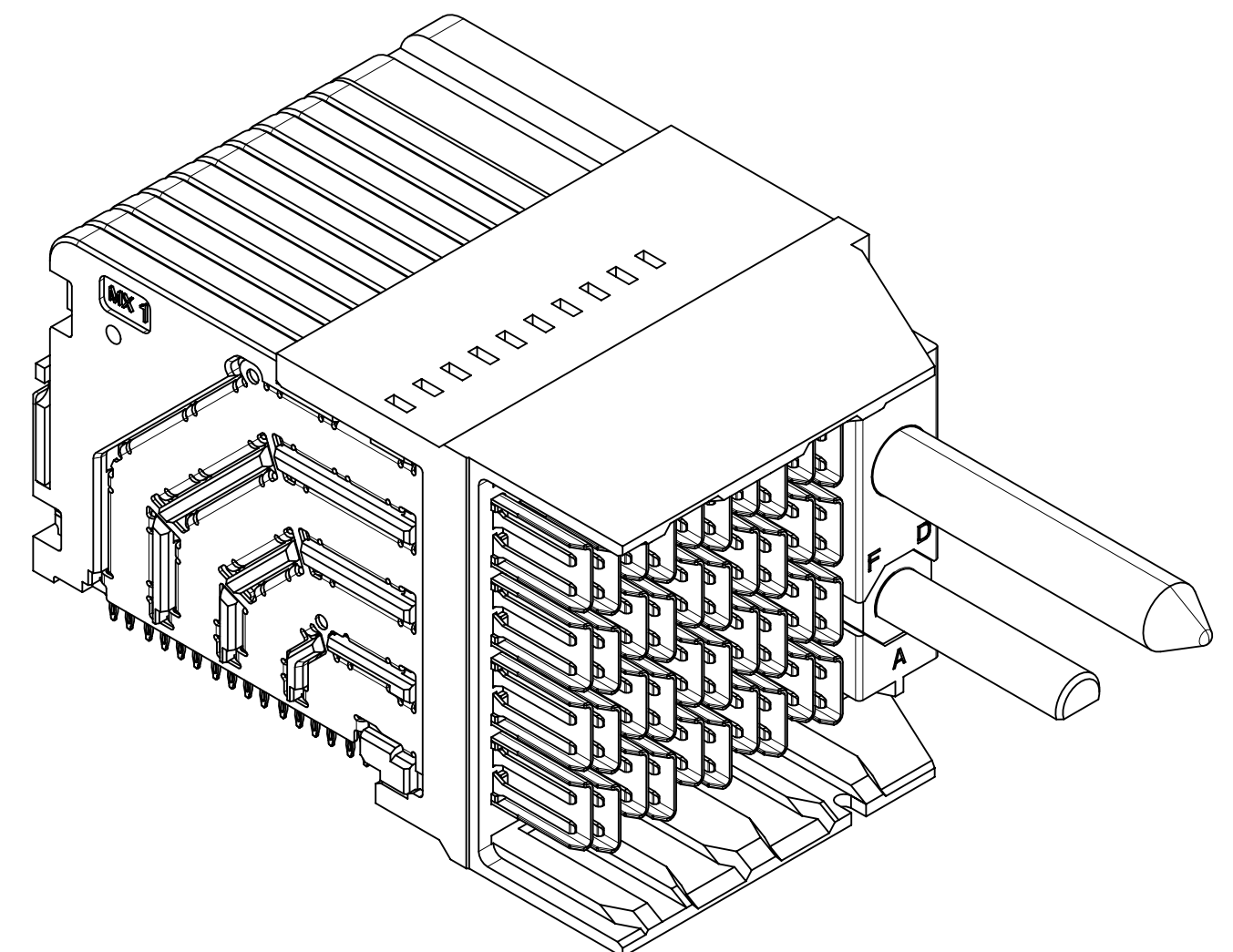


- NOTES:
1. MATERIALS: HOUSING - LIQUID CRYSTAL POLYMER (LCP) GLASS-FILLED, UL94V-0
TERMINALS - HIGH PERFORMANCE COPPER ALLOY
SELECTIVE TIN ON PCB TAILS.
NICKEL OVERALL.
 2. FINISH: 30uIN GOLD IN CONTACT AREA.
 3. REFER TO MOLEX PRODUCT SPECIFICATION PS-171320-999 FOR PERFORMANCE SPECIFICATIONS.
 4. THIS PART CONFORMS TO CLASS B REQUIREMENTS OF COSMETIC SPEC PS-45499-002.
 5. PRODUCT WILL BE PACKAGED PER PK-78888-314.
 6. SEE SHEET 2 FOR PCB LAYOUT AND MATING BOARD RELATIONSHIP.
 7. MATES WITH IMPEL DAUGHTERCARD SERIES NUMBER 171320 (LEFT GUIDED).
 8. REFER TO IMPEL PCB ROUTING GUIDE AS-171320-990 FOR ANTIPAD, ROUTING RECOMMENDATIONS, AND ADDITIONAL PCB INFORMATION.
 9. WHEN STACKING MODULES END TO END, THE MINIMUM COLUMN TO COLUMN HOLE SPACING IS 2.65mm.
 10. CONNECTOR IS SUPPLIED WITH ONE 2-32 THREAD FORMING SCREW. REFER TO SHEET 2 FOR SCREW P/N.
 11. COMPONENT PLACEMENT AND TRACE KEEP OUT ZONE; DO NOT PLACE ANY OTHER COMPONENT OR ROUTE ANY TOP LAYER TRACES IN THIS AREA.

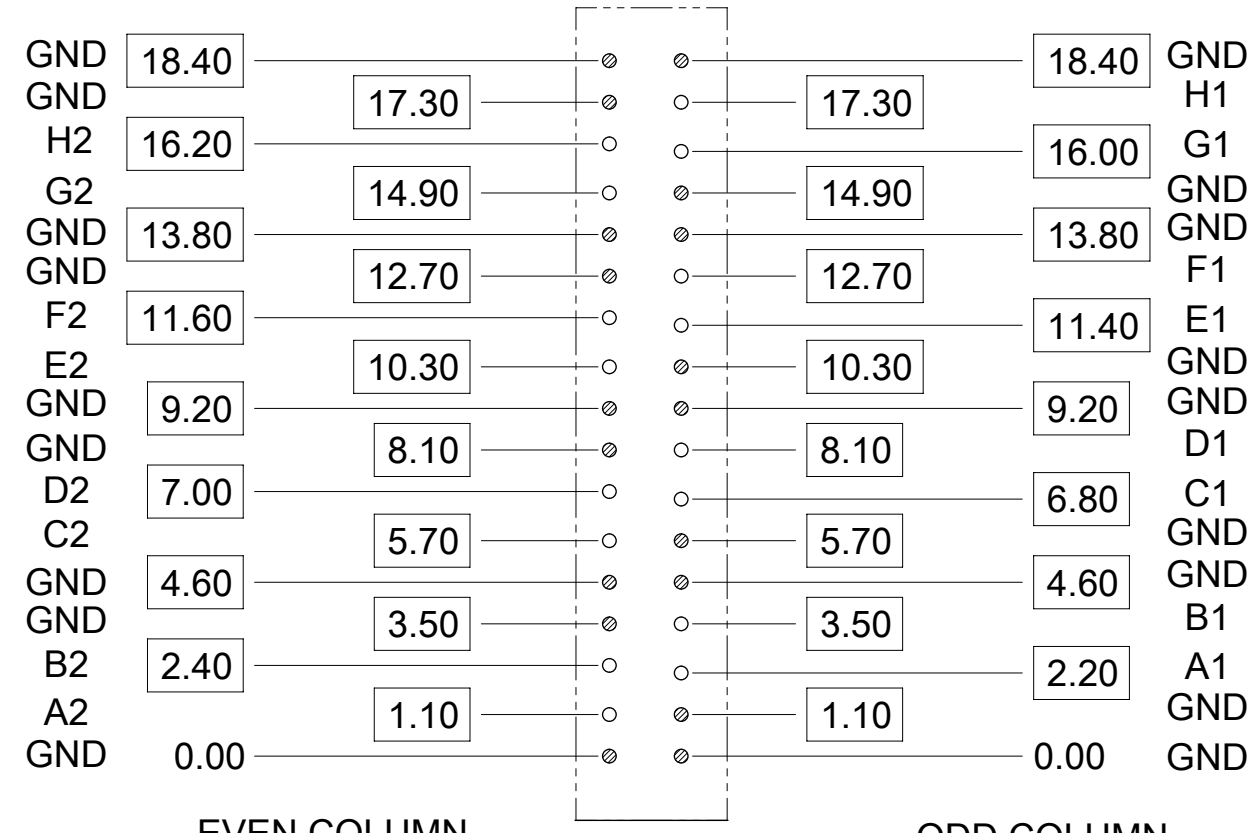


KEY SHOWN IN POSITION "A"

THIS DESIGN IS BASED ON DESIGN OBJECTIVES AND IS STRICTLY TENTATIVE. IT MAY CHANGE BASED ON RESULTS OF ADDITIONAL DESIGN REVIEWS & VERIFICATIONS.

THIS DRAWING CONTAINS INFORMATION THAT IS PROPRIETARY TO MOLEX ELECTRONIC TECHNOLOGIES, LLC AND SHOULD NOT BE USED WITHOUT WRITTEN PERMISSION											
DIMENSION UNITS: mm		SCALE: NTS		CURRENT REV DESC: ADD 73726-0000 LONGER SCREW OPTION							
GENERAL TOLERANCES (UNLESS SPECIFIED)		ANGULAR TOL ± 0.5°		EC NO: 642858							
4 PLACES ±		3 PLACES ±		2 PLACES ± 0.13		1 PLACE ± 0.25		0 PLACES ±		DRWN: YLLIM 2020/07/15 CHK'D: MMALLIGEVALU 2020/08/05 APPR: DWLEE01 2020/08/16	
DRAFT WHERE APPLICABLE MUST REMAIN WITHIN DIMENSIONS		THIRD ANGLE PROJECTION		DRAWING: C-SIZE		SERIES: 172140		MATERIAL NUMBER: SEE TABLE		CUSTOMER: GENERAL MARKET	
DOCUMENT STATUS: P1		RELEASE DATE: 2020/08/16 00:10:20		INITIAL REVISION: DRWN: JLAURX 2014/02/07 APPR: JLAURX 2014/02/07				DOCUMENT NUMBER: SD-172140-0002 DOC TYPE: PSD DOC PART: 001 REVISION: A3		SHEET NUMBER: 1 OF 2	

MATERIAL NUMBER	NUMBER OF COLUMNS	NUMBER OF DIFF PAIR	DIM "A"	DIM "B"	DIM "P"	SUPPLIED SCREW P/N
172140-38*7	8	32	23.55 MAX	13.30	4.90	73726-0005
172140-31*7	10	40	27.35 MAX	17.10	4.90	
172140-32*7	12	48	31.15 MAX	20.90	4.90	
172140-36*7	16	64	38.75 MAX	28.50	4.90	
172140-38*8	8	32	23.55 MAX	13.30	5.50	
172140-31*8	10	40	27.35 MAX	17.10	5.50	
172140-32*8	12	48	31.15 MAX	20.90	5.50	
172140-36*8	16	64	38.75 MAX	28.50	5.50	
172140-38*1	8	32	23.55 MAX	13.30	4.90	73726-0000
172140-31*1	10	40	27.35 MAX	17.10	4.90	
172140-32*1	12	48	31.15 MAX	20.90	4.90	
172140-36*1	16	64	38.75 MAX	28.50	4.90	
172140-38*2	8	32	23.55 MAX	13.30	5.50	
172140-31*2	10	40	27.35 MAX	17.10	5.50	
172140-32*2	12	48	31.15 MAX	20.90	5.50	
172140-36*2	16	64	38.75 MAX	28.50	5.50	



172140-3***

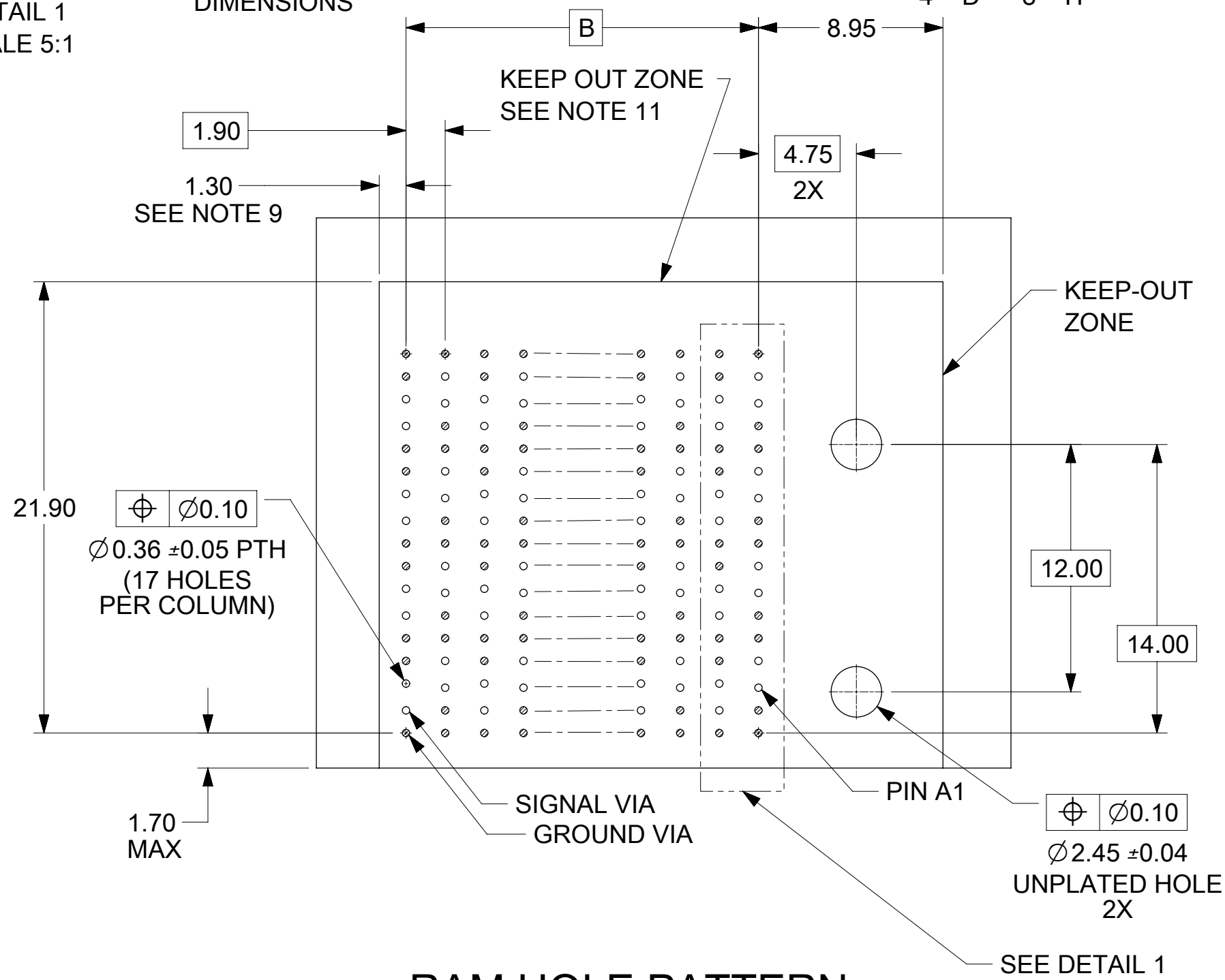
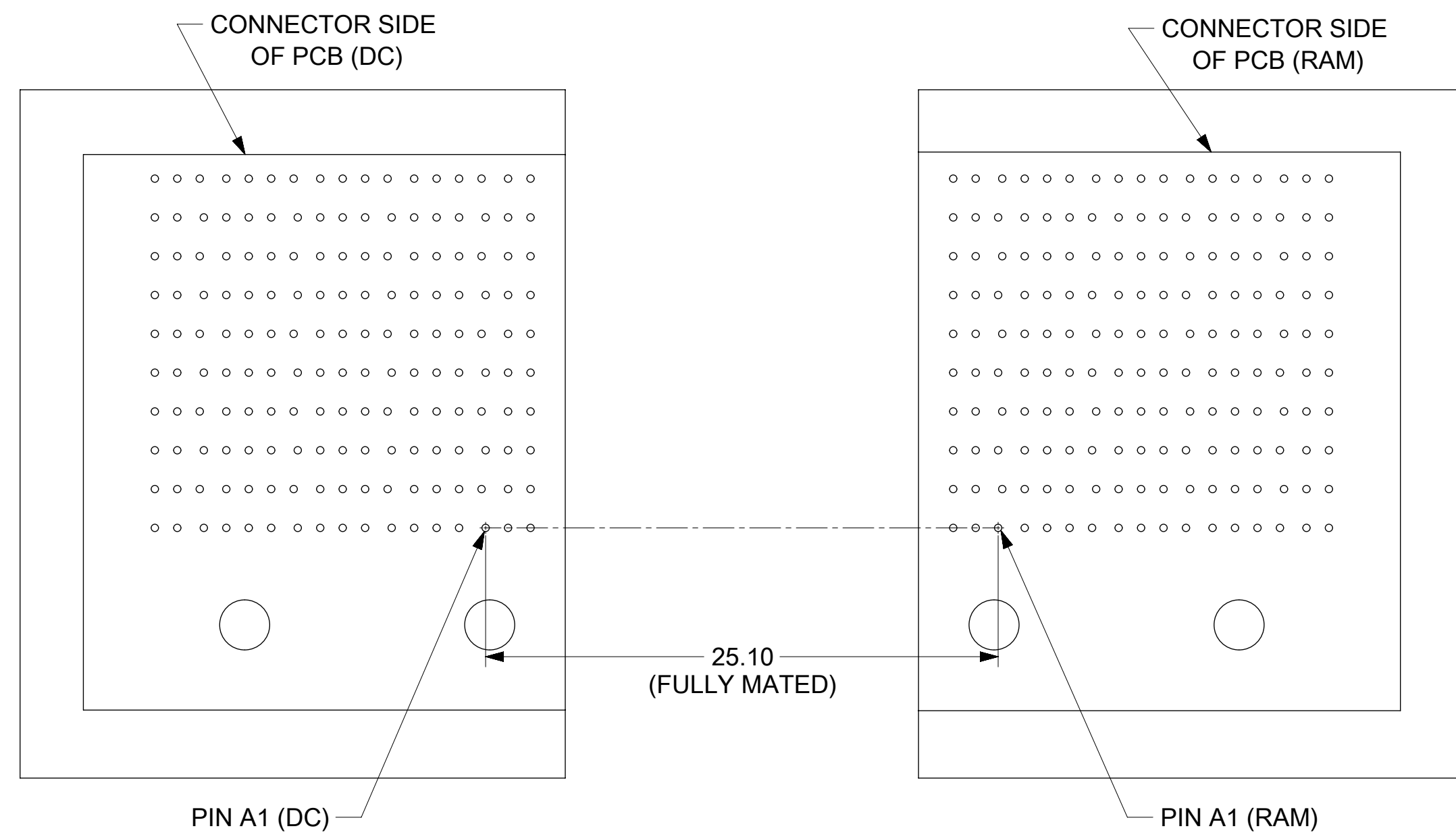
MODULE TYPE
3 = GUIDE RIGHT

PIN LENGTH (P), (SCREW TYPE)
1 = 4.90mm (73726-0000)
2 = 5.50mm (73726-0000)
7 = 4.90mm (73726-0005)
8 = 5.50mm (73726-0005)

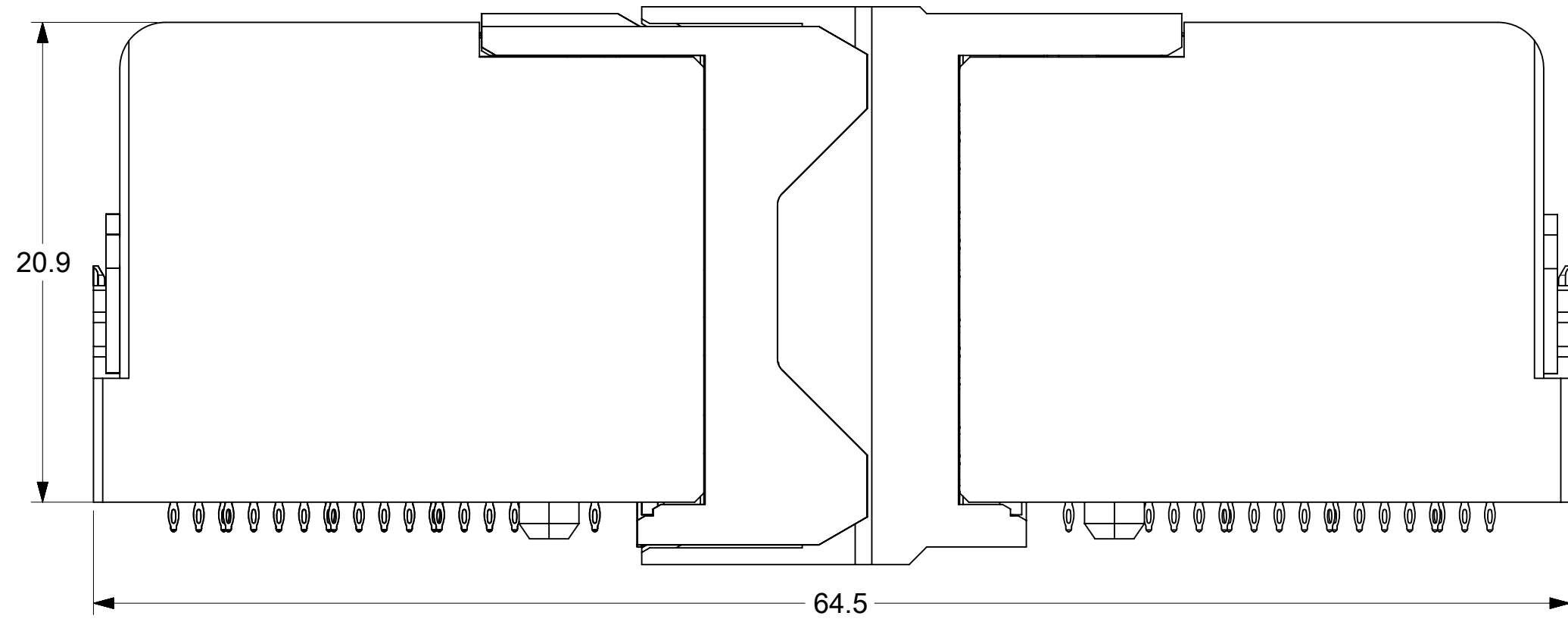
COLUMN SIZE
8 = 8 COLUMN
1 = 10 COLUMN
2 = 12 COLUMN
6 = 16 COLUMN

KEY ORIENTATION
0 = NO KEY
1 = A 5 = E
2 = B 6 = F
3 = C 7 = G
4 = D 8 = H

DETAIL 1
SCALE 5:1



**RAM HOLE PATTERN
(CONNECTOR SIDE)**



THIS DRAWING CONTAINS INFORMATION THAT IS PROPRIETARY TO MOLEX ELECTRONIC TECHNOLOGIES, LLC AND SHOULD NOT BE USED WITHOUT WRITTEN PERMISSION

DIMENSION UNITS mm	SCALE NTS	CURRENT REV DESC: ADD 73726-0000 LONGER SCREW OPTION	molex				
GENERAL TOLERANCES (UNLESS SPECIFIED)		EC NO: 642858				IMPEL 4 PAIR RIGHT ANGLE MALE (RAM) GUIDE RIGHT SALES DWG	
ANGULAR TOL	± 0.5°	DRWN: YLLIM	2020/07/15				
4 PLACES	±	CHK'D: MMALLIGEVALU	2020/08/05				
3 PLACES	±	APPR: DWLEE01	2020/08/16				
2 PLACES	± 0.13	INITIAL REVISION:	PRODUCT CUSTOMER DRAWING				
1 PLACE	± 0.25	DRWN: JLAURX	2014/02/07	DOCUMENT NUMBER	DOC TYPE	DOC PART	REVISION
0 PLACES	±	APPR: JLAURX	2014/02/07	SD-172140-0002	PSD	001	A3
DRAFT WHERE APPLICABLE MUST REMAIN WITHIN DIMENSIONS	THIRD ANGLE PROJECTION	DRAWING	SERIES	MATERIAL NUMBER	CUSTOMER	SHEET NUMBER	
		C-SIZE	172140	SEE TABLE	GENERAL MARKET	2 OF 2	