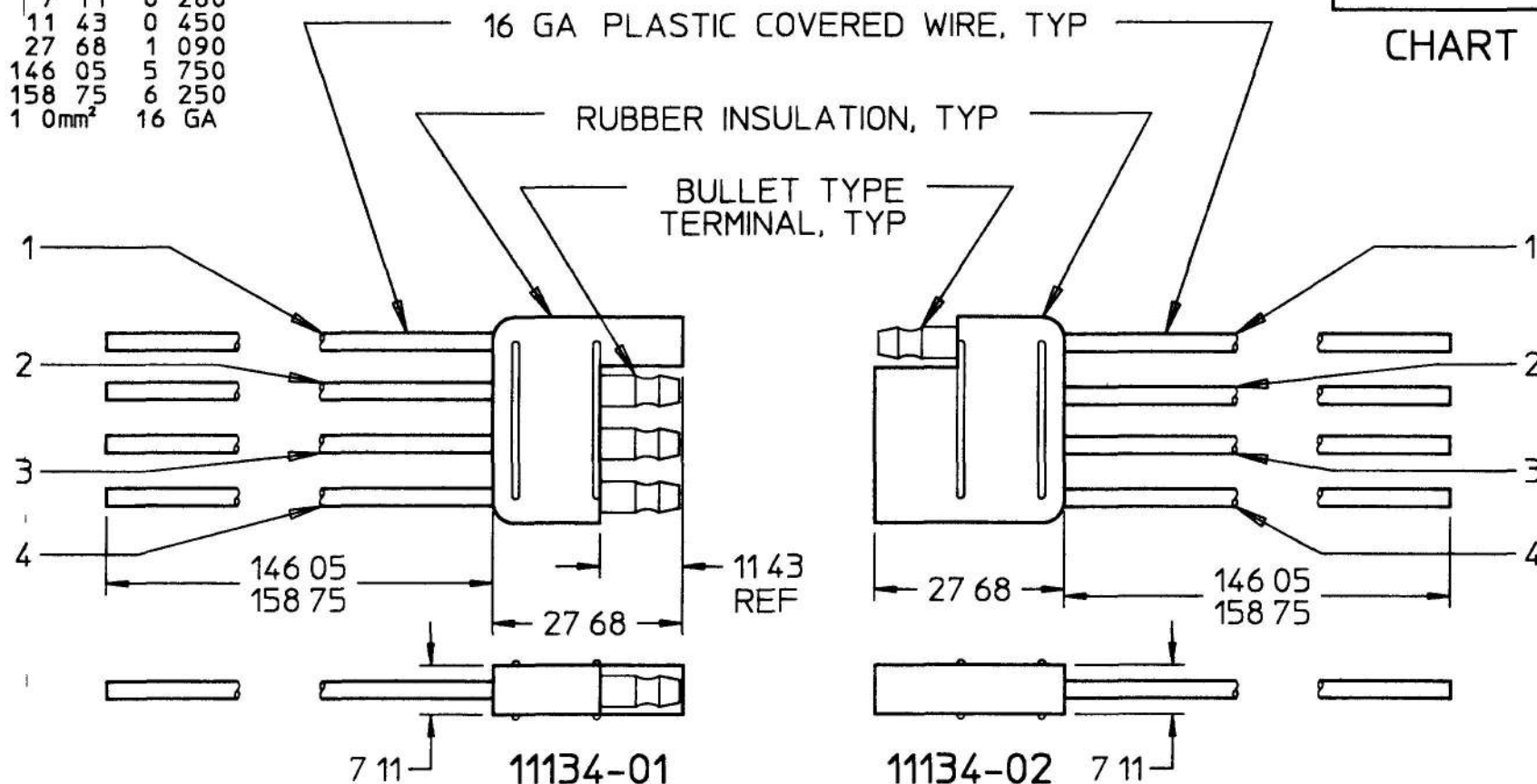


11134

CHART

MM	IN
7 11	0 280
11 43	0 450
27 68	1 090
146 05	5 750
158 75	6 250
1 0mm <sup>2</sup>	16 GA



Ⓣ

METRIC NO.	COLOR	RECOMMENDED WIRING
4	GREEN	RIGHT TURN
3	YELLOW	LEFT TURN
2	BROWN	TAIL LIGHT
1	WHITE	GROUND

DO NOT SCALE

LET	WAS	DATE	BY	LET	WAS	DATE	BY	MATERIAL	DRAWN	CHK	APVD	SCALE	DATE DRAWN
									EA	AF		11	12/18/64
								FINISH	Cole Hersee Co. 20 OLD COLONY AVENUE, BOSTON, MA, U.S.A., 02127				DATE BLUEPRINTED
				D	ECN #25926	7/13/95	MJT	TOLERANCES	CONNECTOR, 4 POLE				11134
			C	PUT ON CAD NO CHANGES	4/19/90	RO	DECIMAL ± ANGLE ±						

Confidential Property of Cole Hersee