

## CTSPI2D18F Series

From 1.0 $\mu$ H to 470 $\mu$ H



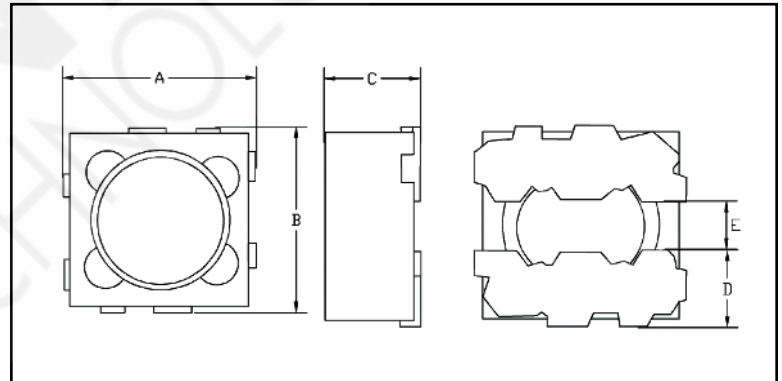
### SPECIFICATIONS

Please specify tolerance code when ordering.  
CTSPI2D18F-1R0 ← M =  $\pm 20\%$ , N =  $\pm 30\%$

Part Number	Inductance ( $\mu$ H)	Tolerance ( $\pm\%$ )	DCR Typ. ( $\Omega$ )	IDC Typ. (mA)	I <sub>rms</sub> Typ. (mA)	Color Coding
CTSPI2D18F-1R0_	1.0	20, 30	0.038	960	1800	Green
CTSPI2D18F-1R2_	1.2	20, 30	0.041	940	1760	Blue
CTSPI2D18F-1R5_	1.5	20, 30	0.048	900	1700	Violet
CTSPI2D18F-1R8_	1.8	20, 30	0.052	840	1680	Gray
CTSPI2D18F-2R2_	2.2	20, 30	0.055	840	1640	White
CTSPI2D18F-2R7_	2.7	20, 30	0.060	680	1460	Green
CTSPI2D18F-3R3_	3.3	20, 30	0.078	600	1400	Blue
CTSPI2D18F-3R9_	3.9	20, 30	0.090	580	1220	Violet
CTSPI2D18F-4R7_	4.7	20, 30	0.099	540	1200	Gray
CTSPI2D18F-5R6_	5.6	20, 30	0.110	500	1120	White
CTSPI2D18F-6R8_	6.8	20, 30	0.120	480	1060	Green
CTSPI2D18F-8R2_	8.2	20, 30	0.168	400	900	Blue
CTSPI2D18F-100M	10	20	0.190	360	880	Violet
CTSPI2D18F-120M	12	20	0.222	320	800	Gray
CTSPI2D18F-150M	15	20	0.285	300	720	White
CTSPI2D18F-180M	18	20	0.350	280	660	Green
CTSPI2D18F-220M	22	20	0.440	240	500	Blue
CTSPI2D18F-270M	27	20	0.490	220	420	Violet
CTSPI2D18F-330M	33	20	0.780	200	380	Gray
CTSPI2D18F-470M	47	20	0.880	170	300	Back
CTSPI2D18F-471_	470	20, 30	12.20	50	120	Gray

### PHYSICAL DIMENSIONS

Size	A	B	C Max.	D	E
mm	3.2 $\pm$ 0.2	3.2 $\pm$ 0.2	1.80	1.1	0.8
inches	0.126 $\pm$ 0.008	0.126 $\pm$ 0.008	0.071	0.043	0.031



### CHARACTERISTICS

**Description:** SMD Shielded Power Inductors (low profile)

**Applications:** Cellular phones, PDAs, DVC, DSC, digital cameras, and hard disk drives

**Operating Temperature:** -40°C to +105°C

**Testing:** Inductance is tested on an HP4284A at 1KHz/1.0V

**IDC:** For inductance 10% or 35% from its value without current

**I<sub>rms</sub>:** For a 25°C or 40°C rise above 25°C ambient

**Packaging:** Tape & Reel.

**Additional Information:** Additional electrical & physical information available upon request.

**Samples available. See website for ordering information.**

### PAD LAYOUT

