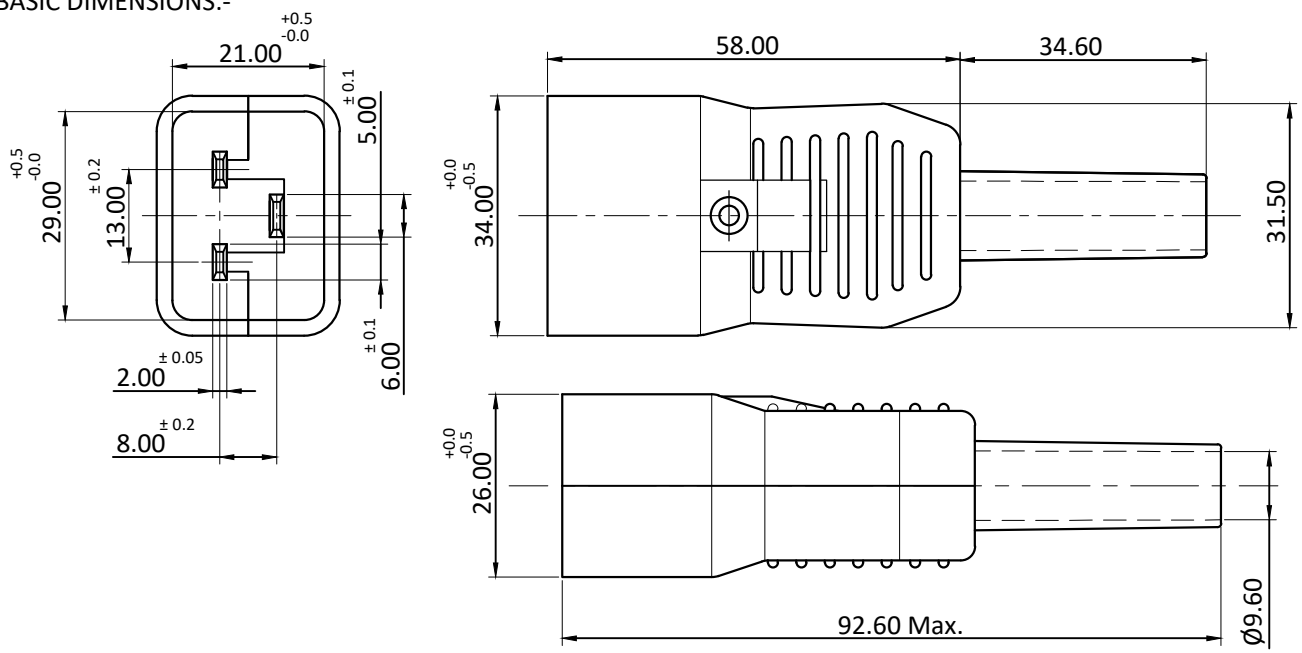


PRODUCT CODE:- **EMI-48-V2**

CATEGORY:- **Rewirable Plug Connector**

BASIC DIMENSIONS:-



SPECIFICATION TABLE:-

SR.NO.	PARAMETER		SPECIFICATION
1	Type		Rewirable Plug Connector
2	V/A Rating		16A 250V AC (IEC) 20A 250V AC (Extended)
3	Contact resistance (Initial)		10 mohms max.
4	Insulation resistance at 500 V DC		100 Mohms min.
5	Cable size		0.75 Sq mm min. 1.5 Sq mm max.
6	Screw torque		4 kg cm.
7	H.V.Break down test (For 1minute)		2 KV AC
8	Mounting		---
9	Terminals		Screw-type
10	Permissible temp.	(a) With/Without load	0° To 70°C
		(b) For Soldering	--
11	Material	(a) Body, Cable Lock	Nylon-6, GF20%, V-2
		(b) Cable Guide	PVC
		(c) Contacts, Terminals	Brass, Nickel plating
		(d) Clamping/Terminal Screws	M.S., Zinc/Nickel Plating
12	Reference standards		IEC 60320-1, CSA:C22.2 No.182.3
13	Compliance Marking		

						APP	29.09.06	SBP	 Plot E-4, Kagal Five Star MIDC, Kagal, Kolhapur, MH - 416236, India Elcom International Pvt. Ltd. www.elcom-in.com	
						CHK	29.09.06	KAK		
						DRN	29.09.06	S.N.V.		
REV	IS	WAS	DATE	SIGN	APP.	BY	DATE	SIGN		
UNSP.TOLERANCE			DIMNS. IN	WT(Gm)	SCALE:-		PROJECTION	SHEET	DRAWING NUMBER	
OVER	-	1	10	mm	Max.	NTS.		1 OF 1	P E M I 2 0 4 8	
UP TO	1	10	-	Moulding, plating details as per Bill of Material					REVISION	
±	0.2	0.3	0.5	Unspecified colour is Black, GF:Glass filled.					0	

F:ENG-08.00

Note: Technical specifications are subject to change without prior notice

Copyright © 2019 by Elcom International Pvt.Ltd, India. All rights reserved