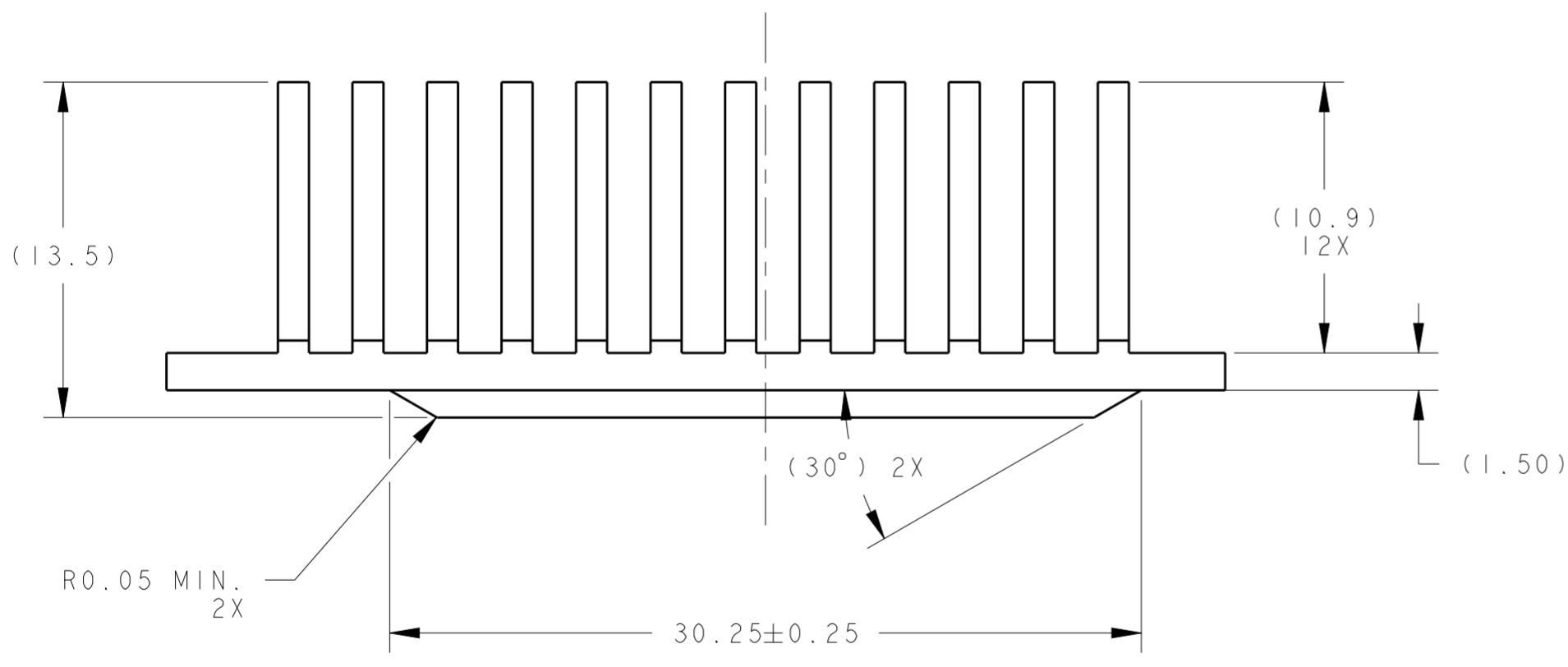
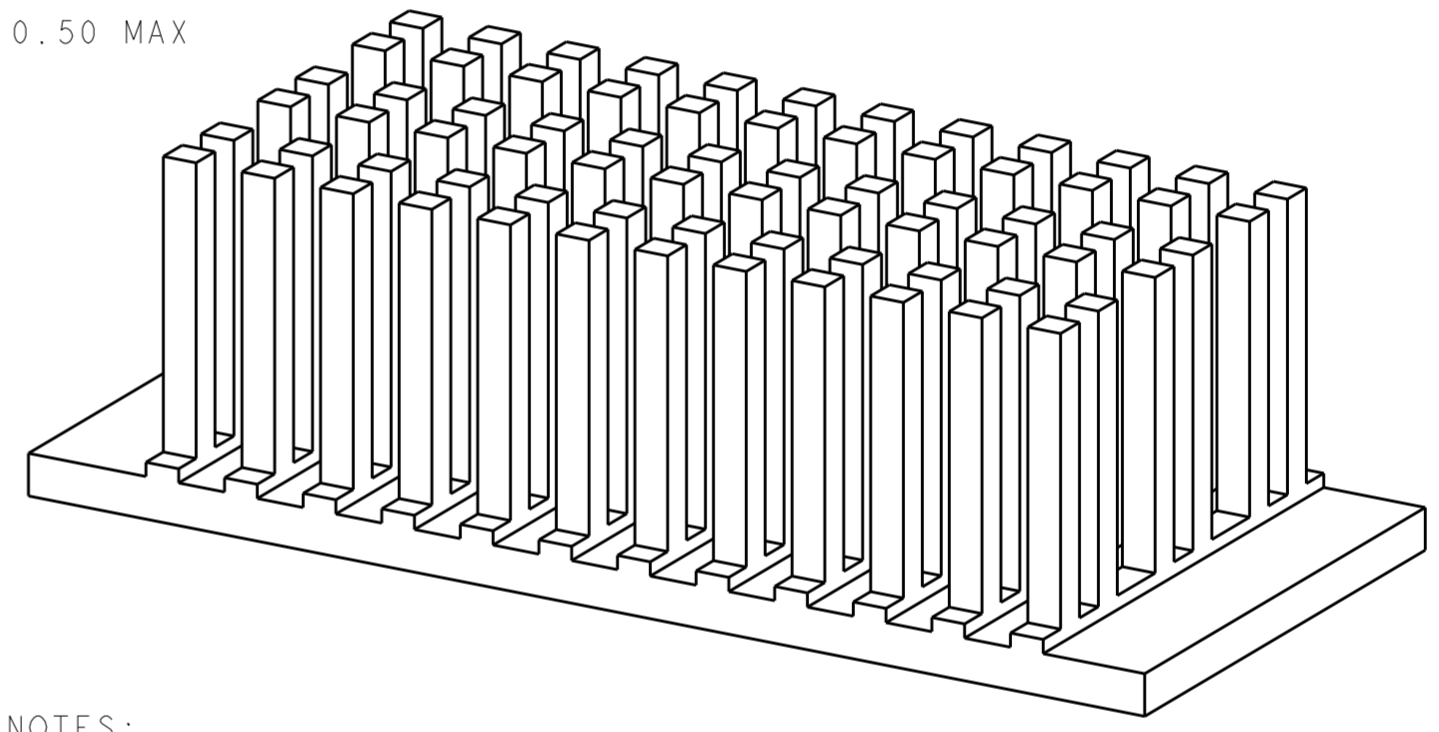
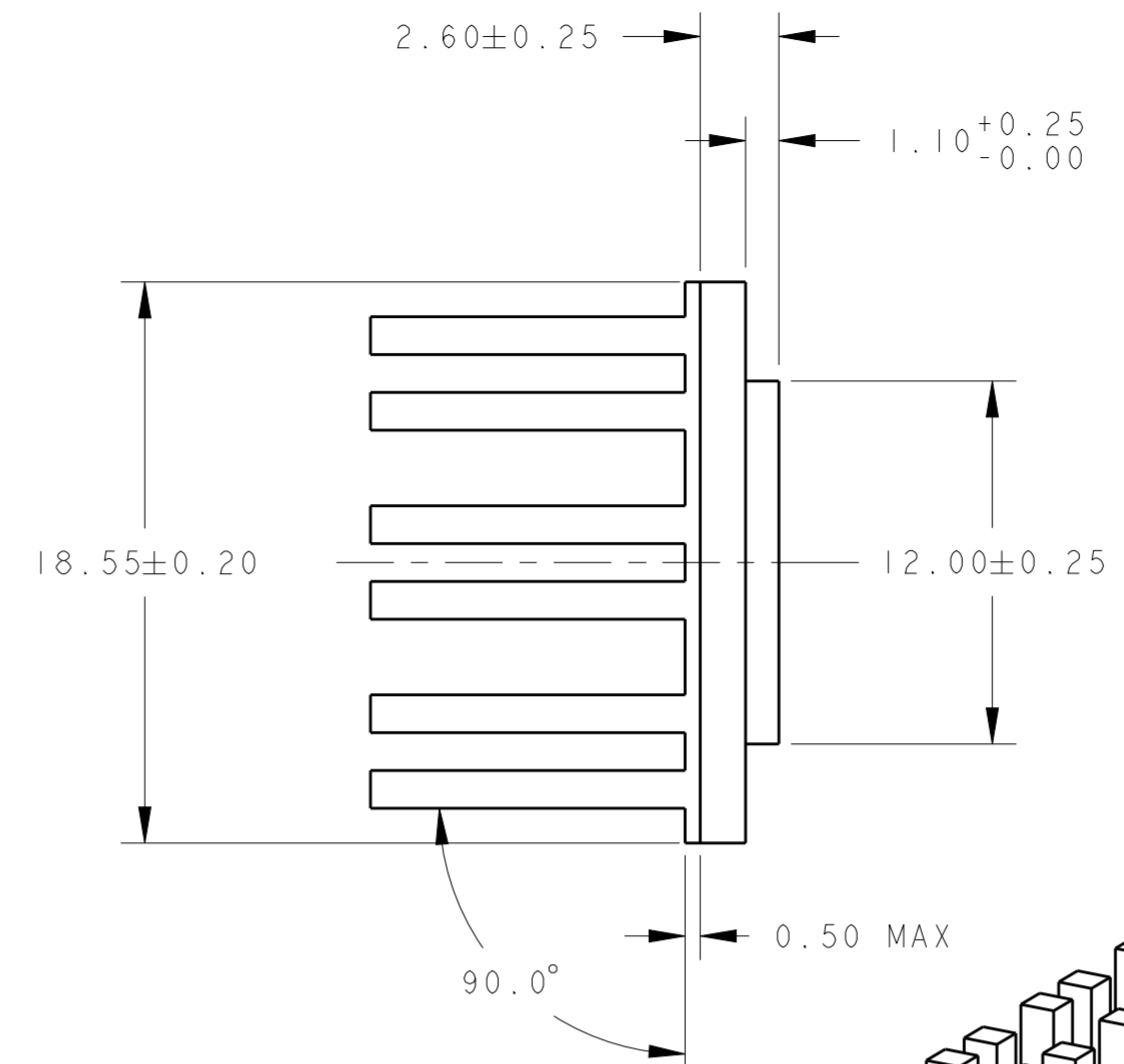
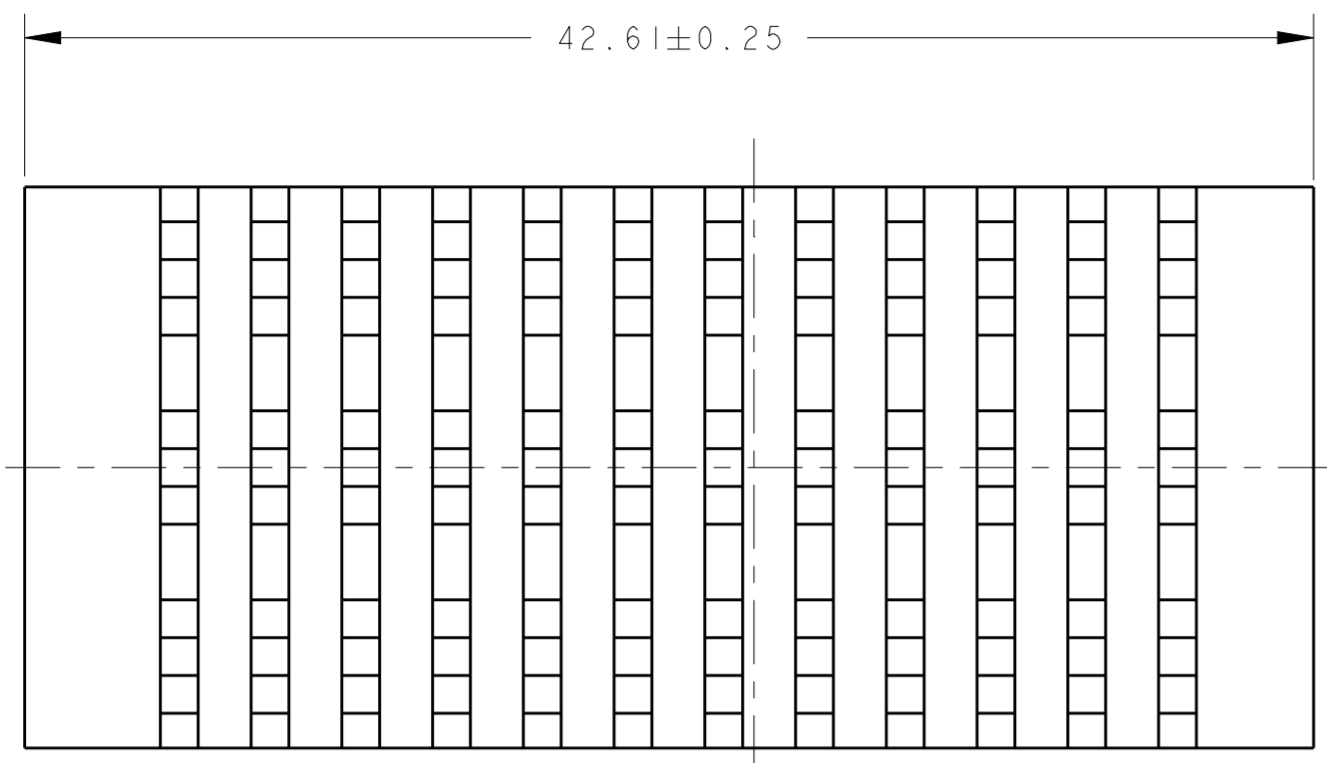


THIS DRAWING IS UNPUBLISHED. RELEASED FOR PUBLICATION 20  
 © COPYRIGHT 20 BY - ALL RIGHTS RESERVED.

LOC	DIST	REVISIONS					
AD	00	P	LTR	DESCRIPTION	DATE	DWN	APVD
		A1		REVISED PER ECO-10-001873	19FEB2010	DH	JE
		B		REVISED PER ECO-12-005533	23MAR2012	JY	AC
		C		REVISED PER ECO-13-001969	31MAY2013	RG	AC



NOTES:

- UNLESS OTHERWISE SPECIFIED
- 1. INTERPRET DRAWING PER ASME Y14.5M - 1994.
- 2. 0,2mm MAX BURR.
- 3. VARIATION IN PLATING COLOR IS NORMAL AND ALLOWED.
- 4. RoHS COMPLIANT AND CERTIFIED.

BLACK ANODIZED	ALUMIMUM	1963840-4
NICKEL PLATED	ALUMIMUM	1963840-2
FINISH	MATERIAL	PART NUMBER

THIS DRAWING IS A CONTROLLED DOCUMENT.		DWN E. TAO 6-17-08	TE Connectivity	
		CHK B. PETROCELLI 6-23-08		
DIMENSIONS: mm		APVD -		NAME GANGED QFSP LAN EXTRUSION HEATSINK 13.5mm TALL
TOLERANCES UNLESS OTHERWISE SPECIFIED: 0 PLC ± 1 PLC ±0.5 2 PLC ±0.25 3 PLC ± 4 PLC ± ANGLES ±8° FINISH		PRODUCT SPEC -		SIZE A20779
MATERIAL SEE TABLE		APPLICATION SPEC -		CAGE CODE C-1963840
		WEIGHT -		DRAWING NO 1963840
		CUSTOMER DRAWING		RESTRICTED TO -
		SCALE 4:1		SHEET 1 OF 1 REV C