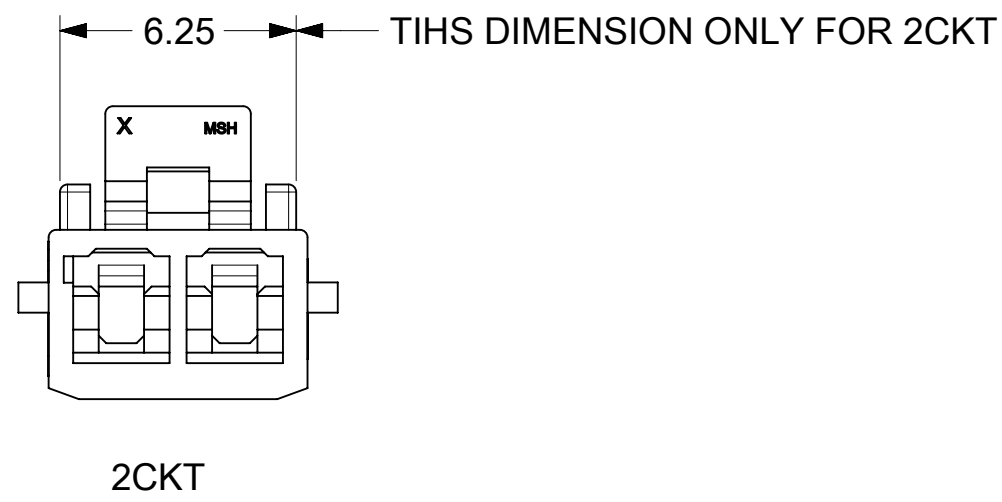
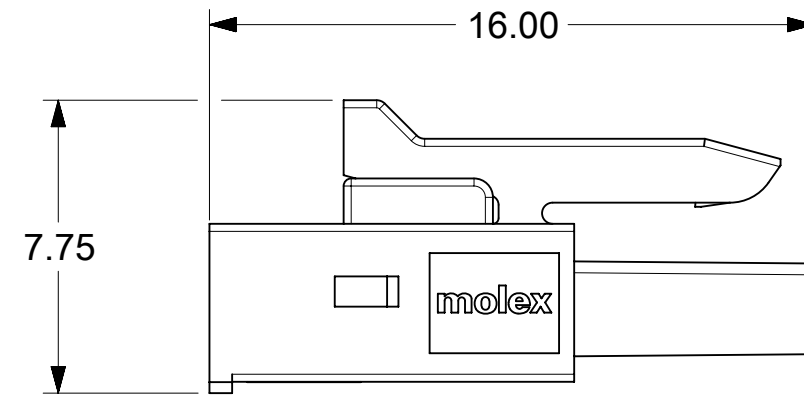
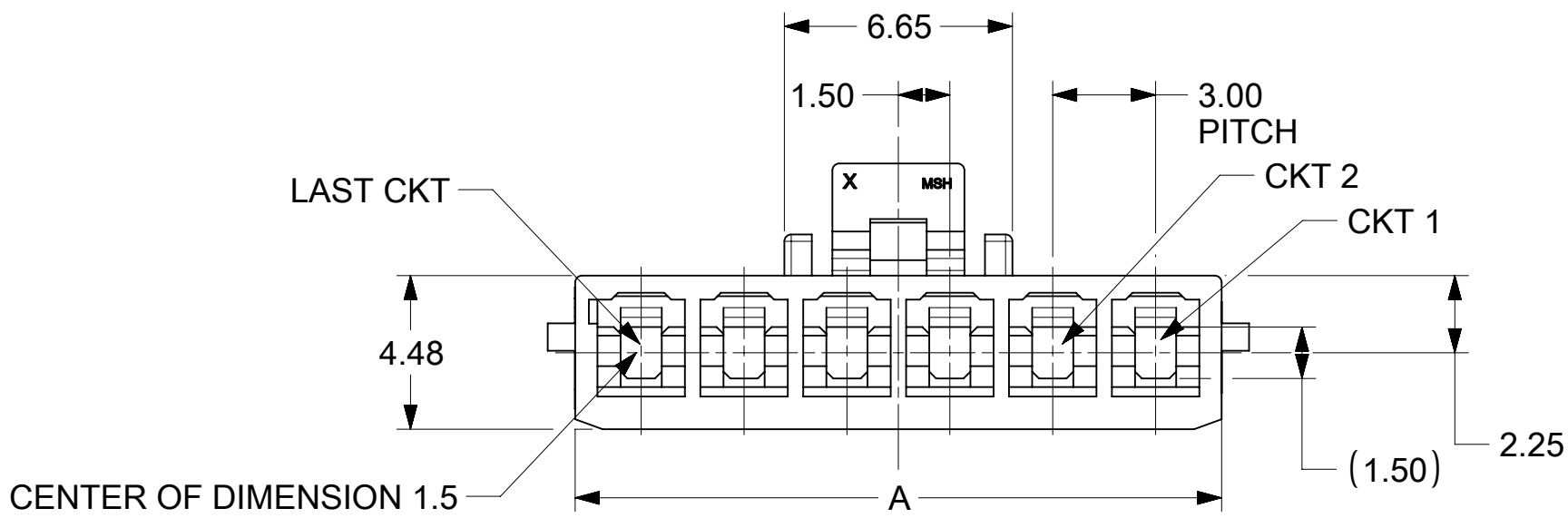
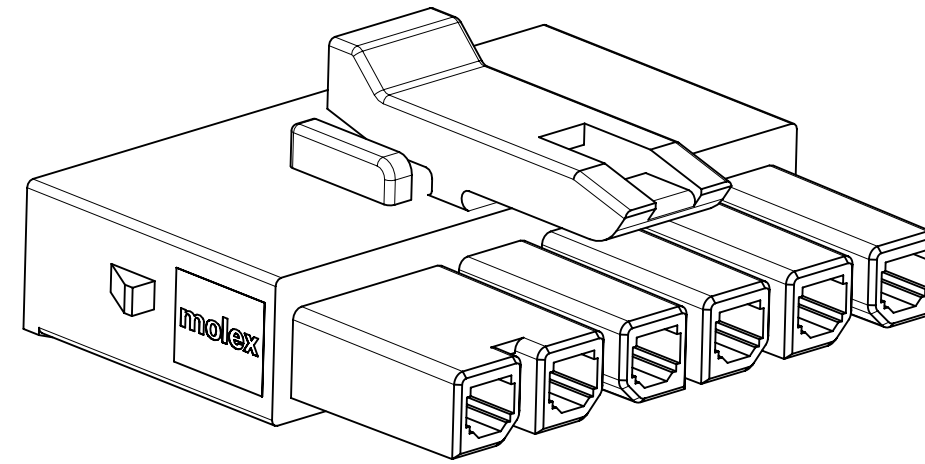
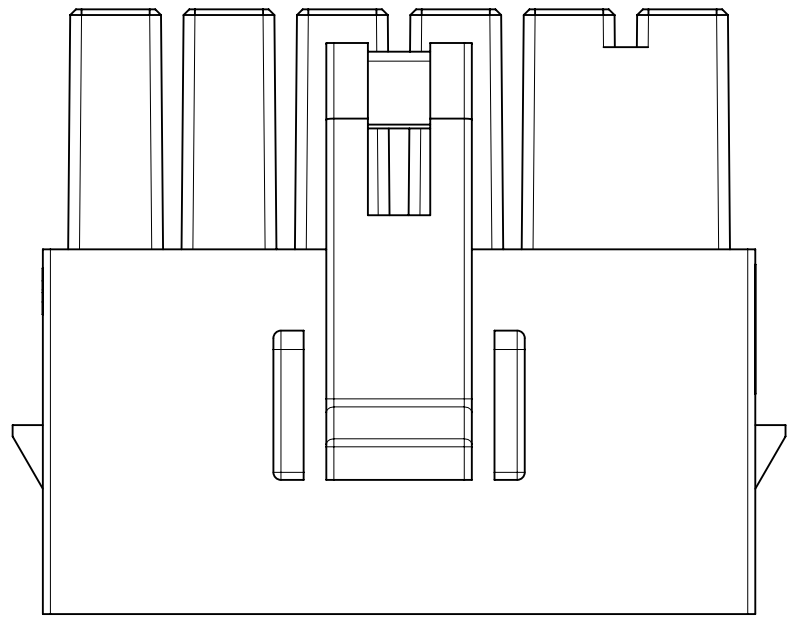


CIRCUIT	PART NUMBER	A
2	215759-1002	6.85
3	215759-1003	9.85
4	215759-1004	12.85
5	215759-1005	15.85
6	215759-1006	18.85
7	215759-1007	21.85
8	215759-1008	24.85



**LEGEND**

SERIES NO. 215759 - \* \* \* \*

MATERIAL OPTION \_\_\_\_\_

CKT NO. \_\_\_\_\_

- NOTES:**
1. MATERIALS: PA66 UL RATED 94V-0, GLOW WIRE, COLOR: BLACK
  2. PRODUCT SPECIFICATION: 2064600000-PS
  3. PRODUCT TEST SUMMARY: 2157590005-TS
  4. PACKAGING SPECIFICATION: 2157590003-PK
  5. PARTS CONFORMS TO CLASS 'B' REQUIREMENTS OF COSMETIC SPECIFICATION PS-45499-002.
  6. THIS HOUSING TO BE USED WITH MOLEX FEMALE TERMINAL 206460
  7. THIS PART MATES WITH 216571 OR 215760
  8. THIS PART MATES WITH TPA 206462

FUNCTIONAL SYMBOLS $\frac{E}{A} = 0$ $\frac{E}{C} = 0$ $\frac{E}{P} = 0$	DIMENSION UNITS <b>mm</b>	SCALE <b>5:1</b>	CURRENT REV DESC:					
	GENERAL TOLERANCES (UNLESS SPECIFIED)		<b>molex</b>					
	ANGULAR TOL $\pm$ °		MICRO-FIT PLUS SR RECEPTACLE HOUSING					
	DIVISIONAL SYMBOLS 4 PLACES $\pm$ 3 PLACES $\pm$ 2 PLACES $\pm$ 0.25 1 PLACE $\pm$ 0.35 0 PLACES $\pm$		PRODUCT CUSTOMER DRAWING					
DRAFT WHERE APPLICABLE MUST REMAIN WITHIN DIMENSIONS		THIRD ANGLE PROJECTION	DRAWING <b>C-SIZE</b>	SERIES <b>215759</b>	DOCUMENT NUMBER <b>2157590002</b>	DOC TYPE <b>PSD</b>	DOC PART <b>000</b>	REVISION <b>A1</b>
MATERIAL NUMBER SEE NOTES		CUSTOMER GENERAL MARKET		SHEET NUMBER 1 OF 1				