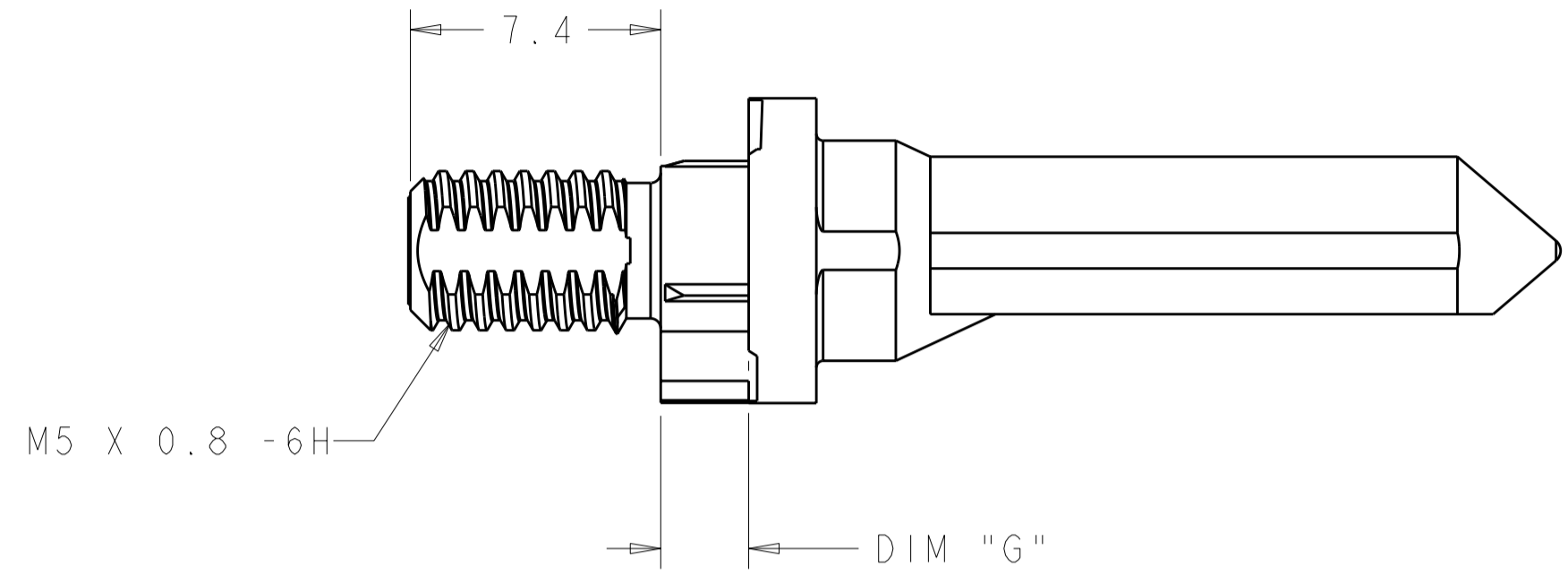
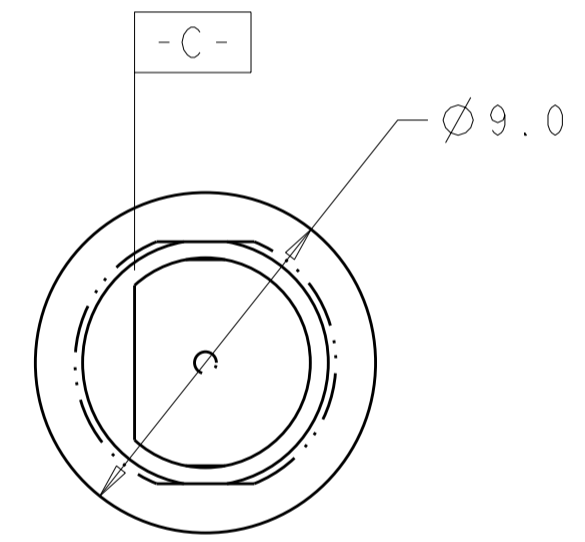
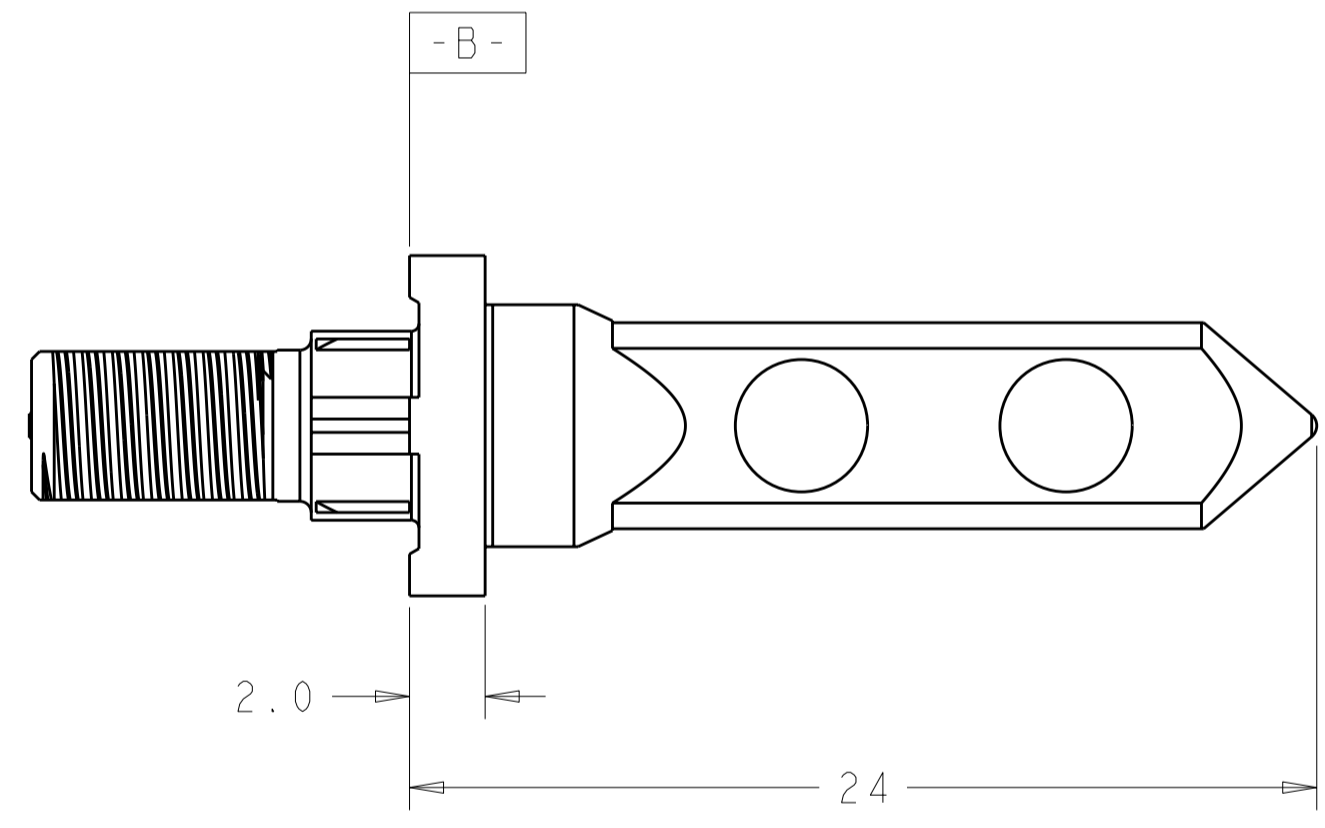
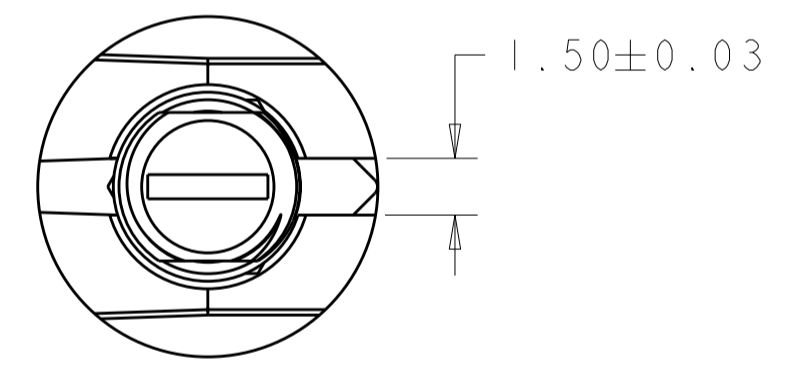


THIS DRAWING IS UNPUBLISHED. RELEASED FOR PUBLICATION 20
 © COPYRIGHT 20 BY - ALL RIGHTS RESERVED.

LOC	DIST	REVISIONS					
CG	00	P	LTR	DESCRIPTION	DATE	DWN	APVD
			A	RELEASED	04AUG2011	BC	AS



- 1 MATERIAL: ZINC ALLOY
- 2 KEY HOLE ORIENTATION (DIM A) PER MATING GUIDE MODULE PART NUMBER TABLE (ORIENTATION SHOWN ON PCB LAYOUT IS FOR 1-1410353-2)
- 3 ANNULAR RING PLATED AROUND GUIDE PIN MOUNTING HOLE ON TOP AND BOTTOM SIDE OF BOARD
- 4 FINISH:
 3.81µm MINIMUM SILVER IN CONTACT AREA
 OVER NICKEL OVER COPPER ALL OVER

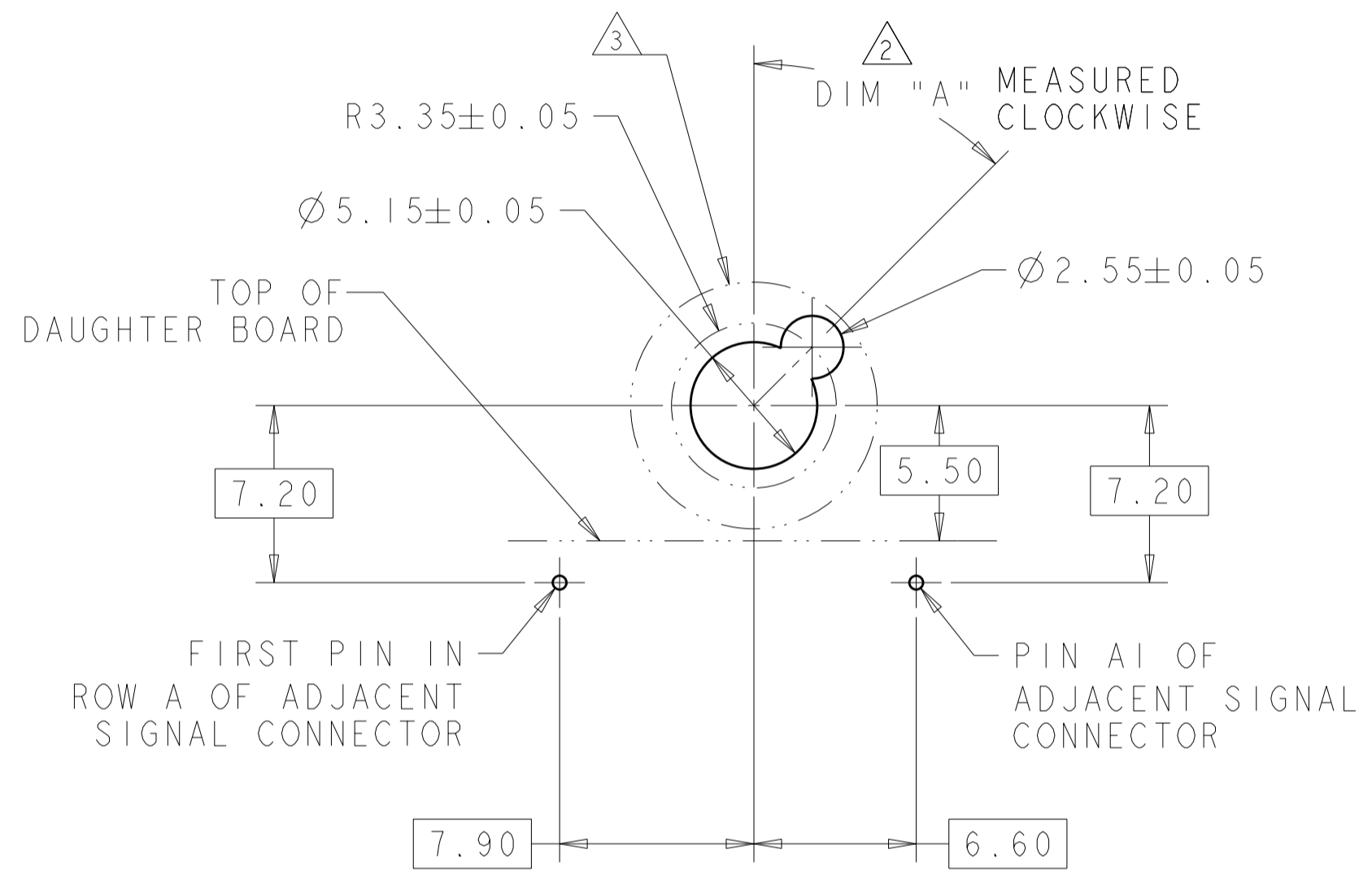


4	5.70	1-1410354-4
4	4.20	1-1410354-3
4	2.60	1-1410354-2
FINISH	DIM "G"	PART NUMBER

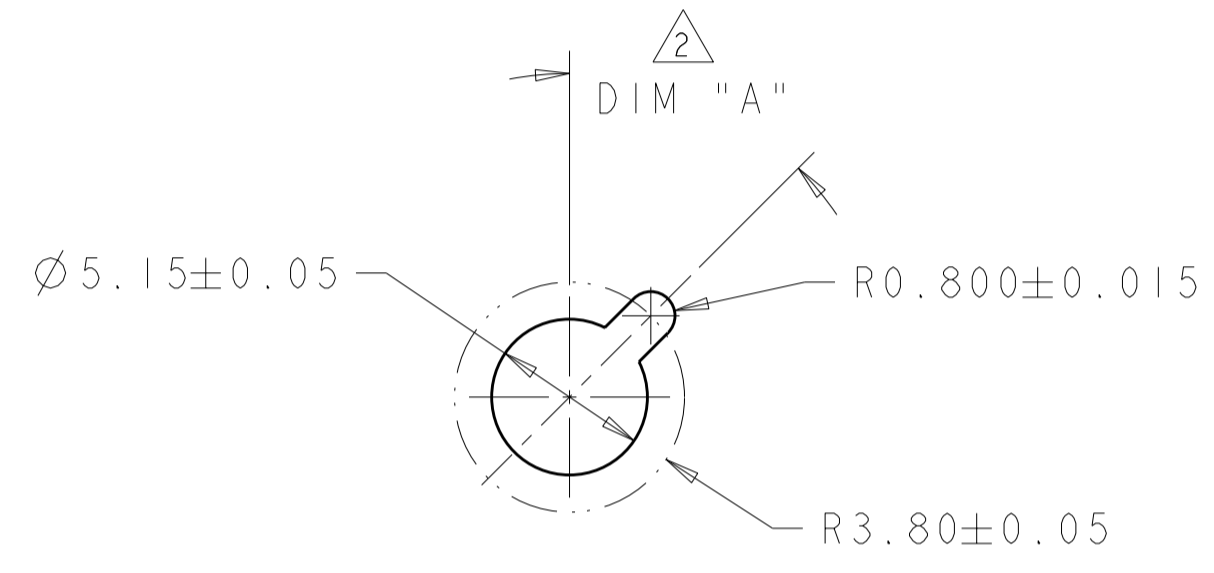
THIS DRAWING IS A CONTROLLED DOCUMENT.		DWN B. CARBO 04AUG2011	TE Connectivity				
DIMENSIONS: mm		CHK A. SHARPE 04AUG2011					
TOLERANCES UNLESS OTHERWISE SPECIFIED:		APVD A. SHARPE 04AUG2011	NAME KEYED GUIDE PIN, DIE CAST, BACKPLANE CONNECTOR, MULTIGIG, THREADED POST				
0 PLC ± 1 PLC ±0.5 2 PLC ±.13 3 PLC ±0.013 4 PLC ± ANGLES ± FINISH ±		PRODUCT SPEC 108-2072	SIZE A2	CAGE CODE 00779	DRAWING NO 1410354	RESTRICTED TO -	
MATERIAL SEE TABLE		APPLICATION SPEC 114-13056	SCALE 8:1		SHEET 1	OF 2	REV A
		WEIGHT -	CUSTOMER DRAWING				

THIS DRAWING IS UNPUBLISHED. RELEASED FOR PUBLICATION 20
 © COPYRIGHT 20 BY - ALL RIGHTS RESERVED.

LOC	DIST	REVISIONS			
P	LTR	DESCRIPTION	DATE	DWN	APVD
CG	00	-	SEE SHEET 1	-	-



TIER 2
 GUIDE PIN FOOTPRINT
 (20.3mm SIGNAL MODULES)
 SCALE 4:1



ALTERNATE PCB LAYOUT
 FOR GUIDE POST
 SCALE 4:1

4	-	1-1410353-9
4	315°	1-1410353-8
4	270°	1-1410353-7
4	90°	1-1410353-3
4	45°	1-1410353-2
4	0°	1-1410353-1
FINISH	DIM "A"	20.3mm GUIDE MODULE
		MATING GUIDE MODULE 2

THIS DRAWING IS A CONTROLLED DOCUMENT.		DWN B. CARBO 04AUG2011	STE TE Connectivity		
		CHK A. SHARPE 04AUG2011			
DIMENSIONS: mm		APVD A. SHARPE 04AUG2011	NAME KEYED GUIDE PIN, DIE CAST, BACKPLANE CONNECTOR, MULTIGIG, THREADED POST		
TOLERANCES UNLESS OTHERWISE SPECIFIED: 0 PLC ± 1 PLC ±0.5 2 PLC ±.13 3 PLC ±0.013 4 PLC ± ANGLES ± FINISH		PRODUCT SPEC 108-2072	SIZE A2	CAGE CODE 00779	DRAWING NO. 1410354
MATERIAL -		APPLICATION SPEC 114-13056	RESTRICTED TO -	SCALE 8:1 SHEET 2 OF 2 REV A	
SEE TABLE		WEIGHT -	CUSTOMER DRAWING		