

# Connection distributor - QPD H 4X2,5 6-10 GY - 1582239


Please be informed that the data shown in this PDF Document is generated from our Online Catalog. Please find the complete data in the user's documentation. Our General Terms of Use for Downloads are valid (<http://download.phoenixcontact.com>)



QUICKON H-distributor, gray, 4-pos. without PE, 1.0 mm<sup>2</sup> ... 2.5 mm<sup>2</sup> / 630 V / 20 A, for cable diameters of 6 mm ... 10 mm, with a sealing bolt.



## Key commercial data

Packing unit	0
Minimum order quantity	1
Catalog page	Page 94 (PC-2011)
GTIN	 4 046356 463386
Custom tariff number	85366990
Country of origin	GERMANY

## Technical data

### General characteristics

Design	H-distributor
Color	gray
Connection method	QUICKON connection
Connection method	IDC connection
Number of positions	4
Wrench size, union nut	22 mm
Tightening torque, union nut	5 Nm
Number of connections	4
Conductor cross section stranded min.	1.5 mm <sup>2</sup>
Conductor cross section stranded max.	2.5 mm <sup>2</sup>
Conductor cross section solid min.	1 mm <sup>2</sup>
Conductor cross section solid max.	2.5 mm <sup>2</sup>
Conductor cross section AWG/kcmil min.	16
Conductor cross section AWG/kcmil max	14

### Conductor data

Structure of individual litz in acc. with VDE 0295 / smallest wire diameter	VDE 0295 class 1 to 6 / min. 0.15 mm
-----------------------------------------------------------------------------	--------------------------------------

# Connection distributor - QPD H 4X2,5 6-10 GY - 1582239

## Technical data

### Conductor data

Wire insulation material	PVC / PE
Wire diameter including insulation	2.5 mm ... 3.8 mm
External cable diameter	6 mm ... 10 mm

### Environmental conditions

Degree of protection	IP68, 24 h / 2 m
Ambient temperature (operation)	-40 °C ... 80 °C
Ambient temperature (storage/transport)	-40 °C ... 80 °C
Temperature when conductor connected	-5 °C ... 50 °C

### Electrical characteristics

Nominal current $I_N$	20 A
Rated current	20 A
Rated voltage (III/3)	630 V
Rated voltage (III/2)	1000 V
Rated voltage (II/2)	1000 V
Rated surge voltage (III/3)	6 kV
Rated surge voltage (III/2)	8 kV
Rated surge voltage (II/2)	8 kV

### Mechanical characteristics

QUICKON connectability	max. 10
Insertion/withdrawal cycles	50 (Quickon connections max. 10)

### Material data

Contact material	CuZn
Contact surface material	Tin-plated
Contact carrier material	PA
Insulating material	PA
Inflammability class according to UL 94	V0
Surge voltage category	III
Pollution degree	3

## Classifications

### ETIM

ETIM 3.0	EC000516
ETIM 4.0	EC000516
ETIM 5.0	EC000516

### UNSPSC

UNSPSC 11	39121522
UNSPSC 12.01	39121522
UNSPSC 13.2	39121522
UNSPSC 6.01	30211923

# Connection distributor - QPD H 4X2,5 6-10 GY - 1582239

## Classifications

### UNSPSC

UNSPSC 7.0901	39121522
---------------	----------

### eCl@ss

eCl@ss 4.0	272607xx
eCl@ss 4.1	27260701
eCl@ss 5.0	27143424
eCl@ss 5.1	27143424
eCl@ss 6.0	27143424
eCl@ss 7.0	27440209

## Approvals

### Approvals


#### Approvals


VDE Zeichengenehmigung / IECCEB Scheme / GOST

#### Ex Approvals

#### Approvals submitted

### Approval details

VDE Zeichengenehmigung 	
mm <sup>2</sup> /AWG/kcmil	1.5-2.5
Nominal current I <sub>N</sub>	20 A
Nominal voltage U <sub>N</sub>	690 V

IECCEB Scheme 	
mm <sup>2</sup> /AWG/kcmil	1-2.5
Nominal current I <sub>N</sub>	20 A
Nominal voltage U <sub>N</sub>	690 V

## Connection distributor - QPD H 4X2,5 6-10 GY - 1582239

### Approvals



### Accessories

#### Accessories

#### Plug/Adapter

Coding profile - CP-QPD - 1582459



Keying profile red, for pushing into the QUICKON dome and connector, can be positioned in 90° steps.

---

### Protection and sealing elements

Closing cap - SEALING PLUG 10X16 RD - 1400284



Closing cap, for closing unused bore holes in multiple seals and cable glands, diameter 10 mm

---

### Tools

Socket wrench - QSS 22 - 1670206



Allen wrench, for loosening and fastening the QUICKON union nut, WAF 22 mm

---

Assembly clip - QPD CLIP 2,5 BK - 1582235



Holding clip for Quickon-H distributor, for snapping on and removal without tools.

# Connection distributor - QPD H 4X2,5 6-10 GY - 1582239

## Accessories

Engraving material - GPE 13X 9 WH - 0806932



Engraving material, Sheet, white, Unlabeled, Can be labeled with: Gravur, Plotter, Mounting type: Adhesive, Lettering field: 13 x 9 mm

Protective cap - QPD QSK 2,5 FS - 1582488

Plastic protective cap, for QPD-QUICKON connectors, green, with holding band, IP68



Connectors - QPD P 4X2,5 6-10 GY - 1582372



QUICKON plug-in connector, gray, 4-pos. without PE, 1.0 mm<sup>2</sup> ... 2.5 mm<sup>2</sup>/630 V/20 A, for cables with a diameter of 6 mm ... 10 mm.

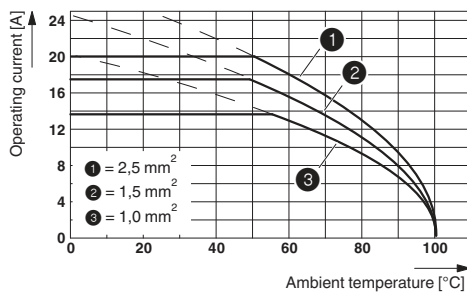
Connectors - QPD P 4X2,5 9-14 GY - 1582379



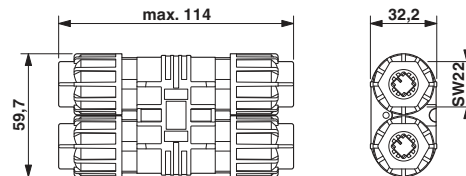
QUICKON plug-in connector, gray, 4-pos. without PE, 1.0 mm<sup>2</sup> ... 2.5 mm<sup>2</sup>/630 V/20 A, for cables with a diameter of 9 mm ... 14 mm.

## Drawings

### Diagram

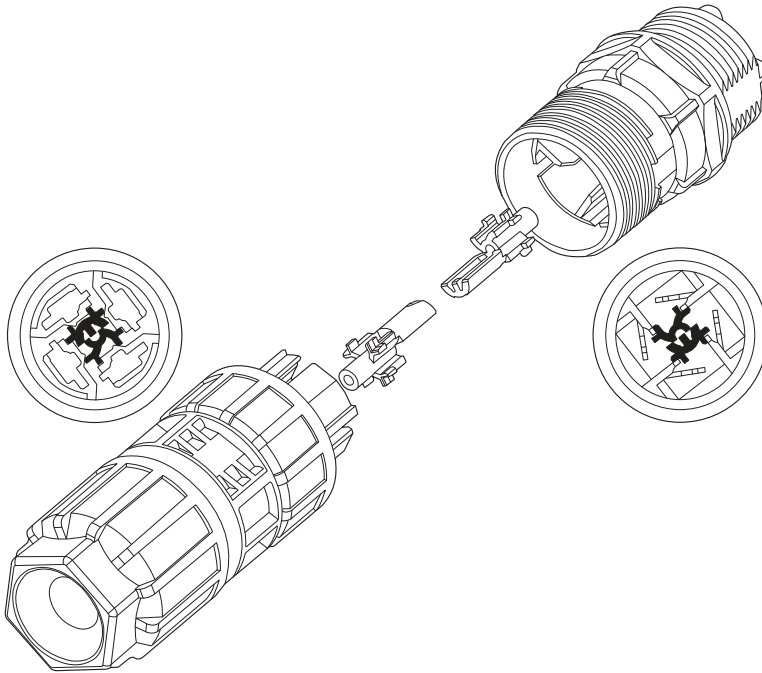


### Dimensioned drawing



## Connection distributor - QPD H 4X2,5 6-10 GY - 1582239

Schematic diagram



Keying of the QUICKON plug-in connection

---

© Phoenix Contact 2012 - all rights reserved  
<http://www.phoenixcontact.com>