

NOTES:

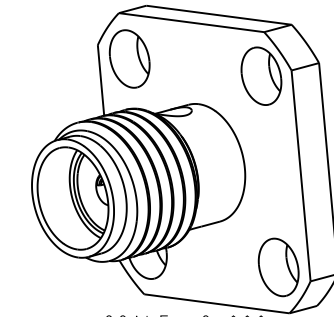
- MATERIALS AND FINISHES:
 BODY - STAINLESS STEEL, GOLD PLATING
 CONTACT - BERYLLIUM COPPER, GOLD PLATING
 INSULATOR - PTFE
- ELECTRICAL:
 A. IMPEDANCE: 50 OHM
 B. DIELECTRIC WITHSTANDING VOLTAGE: 1000 VRMS, MIN.
- MECHANICAL:
 A. DURABILITY: 500 CYCLES MIN.
 B. TEMPERATURE RANGE: -65° C TO +165° C
- PACKAGING:
 A. QUANTITY: SINGLE PACK
 B. MARKING: PACKAGING TO BE MARKED
 "AMPHENOL RF, PART NUMBER, AND DATE CODE"

- ORDERING INFORMATION:
 A. ADDITIONAL CANDLESTICK LENGTHS ARE AVAILABLE
 B. CHANGE XXX TO DESIRED CONTACT PROJECTION AND
 YYY TO DESIRED INSULATOR PROJECTION LENGTH IN INCHES.
 [.705 MAX. CONTACT PROJECTION, .080 MIN. CONTACT PROJECTION]
 C. EXAMPLE: 901-1GA100000AE HAS CONTACT PROJECTION OF .100 [2.54]
 AND NO INSULATOR PROJECTION,
 AS SHOWN IN "VIEW A".
 901-1GA705590AM HAS CONTACT PROJECTION OF .705 [17.91] AND
 INSULATOR PROJECTION OF .590 [14.99],
 AS SHOWN IN "VIEW B".
 D. CONTACT AMPHENOL RF MARKETING FOR QUOTE AND MORE INFORMATION.

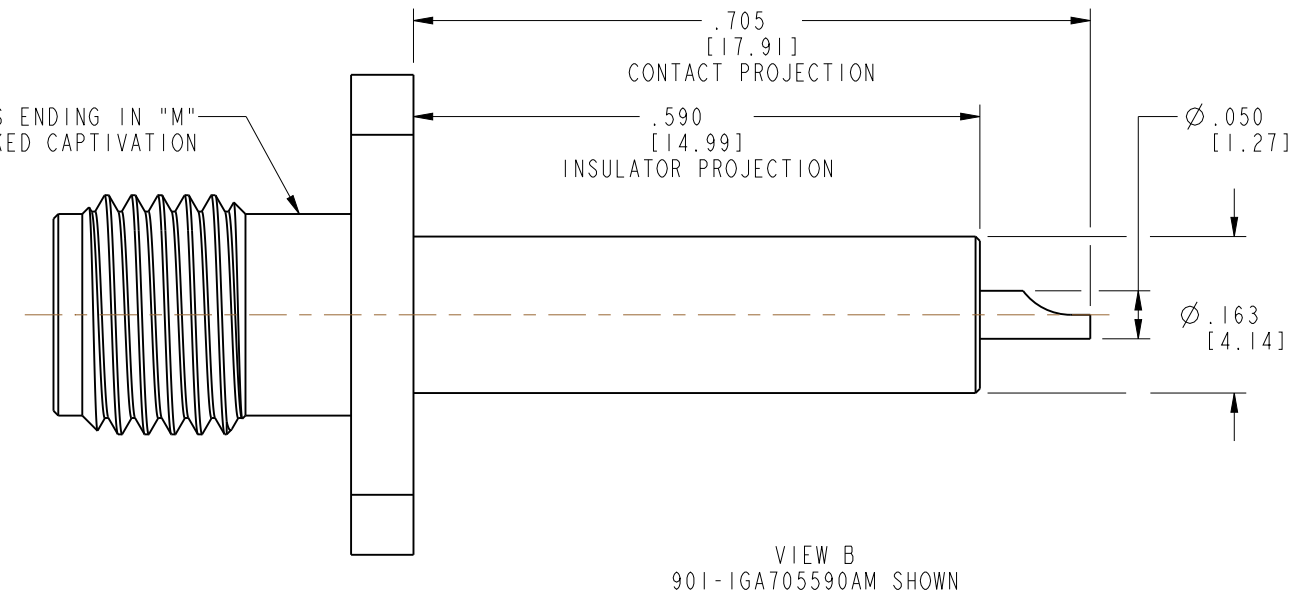
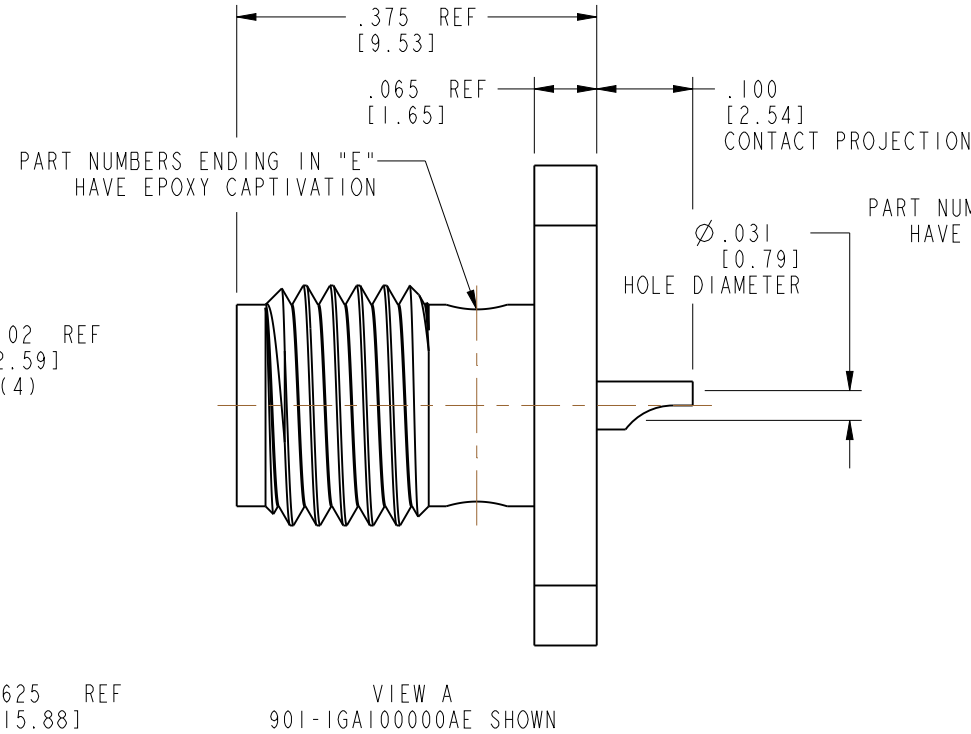
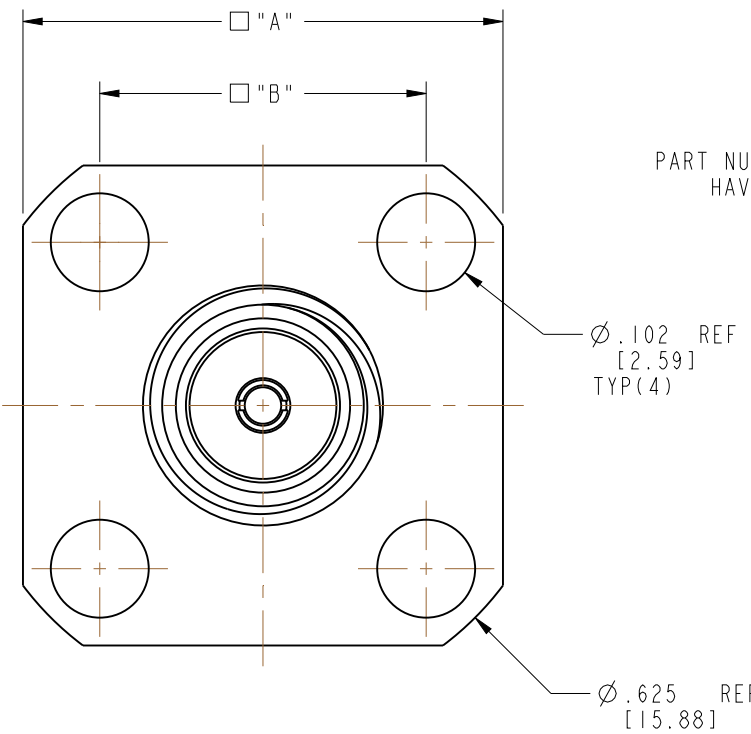
THIRD ANGLE PROJ.

REVISIONS

| REV | DESCRIPTION | DATE | ECO | APPR |
|-----|--------------------------|-----------|-------|------|
| A | RELEASE TO MANUFACTURING | 09-Aug-19 | 12530 | CJV |



SCALE 3.000



| DRAWING NO. | "A" IN [MM] | "B" IN [MM] | CAPTIVATION |
|----------------|---------------|--------------|-------------|
| 901-1GAXXXYYAE | .375 [9.53] | .250 [6.35] | EPOXY |
| 901-1GAXXXYYAM | .375 [9.53] | .250 [6.35] | MECHANICAL |
| 901-2GAXXXYYAE | .500 [12.70] | .340 [8.64] | EPOXY |
| 901-2GAXXXYYAM | .500 [12.70] | .340 [8.64] | MECHANICAL |
| 901-3GAXXXYYAE | .687 [17.45] | .375 [9.53] | EPOXY |
| 901-3GAXXXYYAM | .687 [17.45] | .375 [9.53] | MECHANICAL |
| 901-4GAXXXYYAE | 1.000 [25.40] | .689 [17.50] | EPOXY |
| 901-4GAXXXYYAM | 1.000 [25.40] | .689 [17.50] | MECHANICAL |

CUSTOMER OUTLINE DRAWING
 ALL OTHER SHEETS ARE FOR INTERNAL USE ONLY

| | | | | | |
|---|---|--|---|-----------------------------------|-------------------------|
| UNLESS OTHERWISE SPECIFIED, DIMENSIONS ARE IN INCHES AND TOLERANCES ARE: 2 PLACE DECIMAL 3 PLACE DECIMAL ANGLSES $\pm .015$ (0,381 mm) $\pm .005$ (0,127 mm) $\pm 1^\circ$ | MATERIAL SEE NOTES | DRAWN C. VIGORITO DATE 08-Mar-19 | TITLE SMA PANEL JACK, SOLDER CUP STEEL BODY GOLD PLATING VARIOUS LENGTHS | Amphenol RF www.amphenolrf.com | |
| | | ENGINEER C. VIGORITO DATE 08-Mar-19 | | | |
| NOTICE - These drawings, specifications, or other data (1) are, and remain the property of Amphenol corp. (2) must be returned upon request; and (3) are confidential and not to be disclosed to any person other than those to whom they are given by Amphenol Corp. the furnishing of these drawings, specifications, or other data by Amphenol Corp., or to any other person to anyone for any purpose is not to be regarded by implication or otherwise in any manner licensing, granting rights to permitting such holder or any other person to manufacture, use or sell any product, process or design, patented or otherwise, that may in any way be related to or disclosed by said drawings, specifications, or other data. | REFERENCE EAR: 7643 REF: 901-9215-3CCSF | APPROVED K. CAPOZZI DATE 09-Aug-19 | SCALE: 5.0:1.0 SHEET 2 OF 2 | DRAWING NO. 901-XGAXXXYYAX | |
| | CONFIGURATION LEVEL: In Work | CAD FILE | DWG SIZE B | REV A | ITEM NO. 901-XGAXXXYYAX |
| | FINISH | | | | PART NO. 901-XGAXXXYYAX |