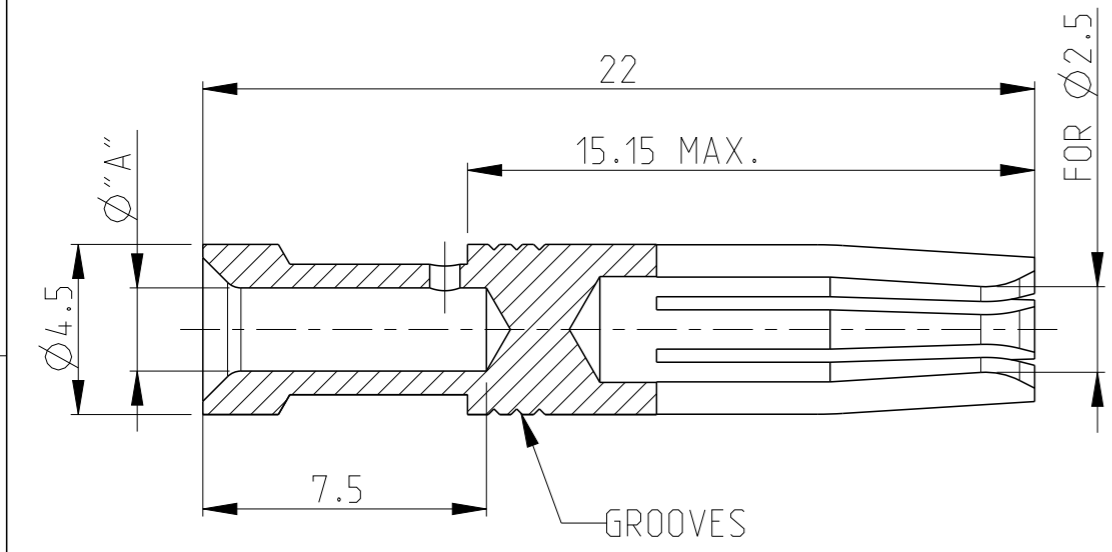


THIS DRAWING IS UNPUBLISHED. RELEASED FOR PUBLICATION 2006
 © COPYRIGHT 2006 BY - ALL RIGHTS RESERVED.

LOC	DIST	REVISIONS					
A1	-	P	LTR	DESCRIPTION	DATE	DWN	APVD
			J5	ECR-15-003938	26MAR2015	RK	MKO
			J6	ECR-16-016696	15SEP2017	GA	MKO
			J7	ECR-16-016780	15NOV2017	GR	MKO
			J8	ECR-17-014011	28MAR2018	SG	MKO



- Notes
- 1 MATERIAL: BRASS
 - 2 FINISH SILVER PLATING: 2 µm Ag MIN. OVER Cu
 - 3 FINISH GOLD PLATING: 0.75 µm Au MIN. OVER Ni
 - 4 FINISH TIN PLATING: 0.6 µm Sn. MIN. OVER Cu
 - 5 VENTILATION HOLE PRESENT ON ALL PARTS
 - 6 WEIGHT: 0.00160 kg, PER PIECE (APPROX.)
 - 7 PACKAGING: 50 PIECES IN POLYBAG
 - 8 PACKAGING: 500 PIECES IN POLYBAG & CARTON
 - 9 PACKAGING: 20000 PIECES IN POLYBAGS & CARTONS
 - 10 SUITABLE PIN CONTACT: PN 1105100
 - 11 SUITABLE INSERTS: SERIES HA, HE, HVE, HVS
 - 12 SUITABLE CRIMP TOOL: PN 1-1105851-8
 - 13 SUITABLE INSERTION TOOL: PN 0-1102855-6
 - 14 SUITABLE EXTRACTION TOOL: PN 0-1102855-7
 - 15 STANDARDS: DIN EN 61984, DIN EN 60664-1
 - 16 OBSOLETE

HE/HA-C-Bu.Sn	CROSS SECTION	DIMS	NO.OF GROOVES	P.U.=50	P.U.=500	P.U.=20000
4,0mm ²	TIN 4	4.0 2.8	-	-	5-0 16	5-3
2,5mm ²		2.5 2.2	3	-	4-0	4-3
1,5mm ²		1.5 1.7	2	-	3-0	3-3
HE/HA-C-Bu.Au 4,0mm ²	GOLD 3	4.0 2.8	-	5-2	5-9 16	-
2,5mm ²		2.5 2.2	3	4-2	4-9 16	-
1,5mm ²		1.5 1.7	2	3-2	3-9 16	-
HE/HA-C-Bu.Au 0,75-1,0mm ²	SILVER 2	0.75-1.0 1.4	1	2-2	2-9 16	-
0,5mm ²		0.5 1.1	-	1-2	1-9 16	-
0,14-0,37mm ²		0.14-0.37 0.9	3	6-2	6-9 16	-
HE/HA-C-Bu.Ag 4,0mm ²	SILVER 2	4.0 2.8	-	5-1	5-8 16	-
2,5mm ²		2.5 2.2	3	4-1	4-8 16	-
1,5mm ²		1.5 1.7	2	3-1	3-8 16	-
HE/HA-C-Bu.Ag 0,75-1,0mm ²	SILVER 2	0.75-1.0 1.4	1	2-1	2-8 16	-
0,5mm ²		0.5 1.1	-	1-1	1-8 16	-
0,14-0,37mm ²		0.14-0.37 0.9	3	6-1 16	6-8 16	-
		[MM ²]	"A"	MARKINGS	PACKAGING UNIT	
ORDERING TEXT	PLATING	CROSS SECTION	DIMS	NO.OF GROOVES	BAG	BOX
					BOX	

THIS DRAWING IS A CONTROLLED DOCUMENT.

DWN: G.WROBLEWSKI 20SEP2007
 CHK: H.BRAUN 20SEP2007
 APVD: T.SCHNURPFEL 20SEP2007

TE Connectivity

SOCKET CONTACT SERIES HA, HE, HVE

PRODUCT SPEC: 108-74004
 APPLICATION SPEC: 114-74003

SIZE: A3 CAGE CODE: 00779 DRAWING NO: C=1105101 RESTRICTED TO: -

Customer Drawing SCALE: 5:1 SHEET: 1 OF 1 REV: J8