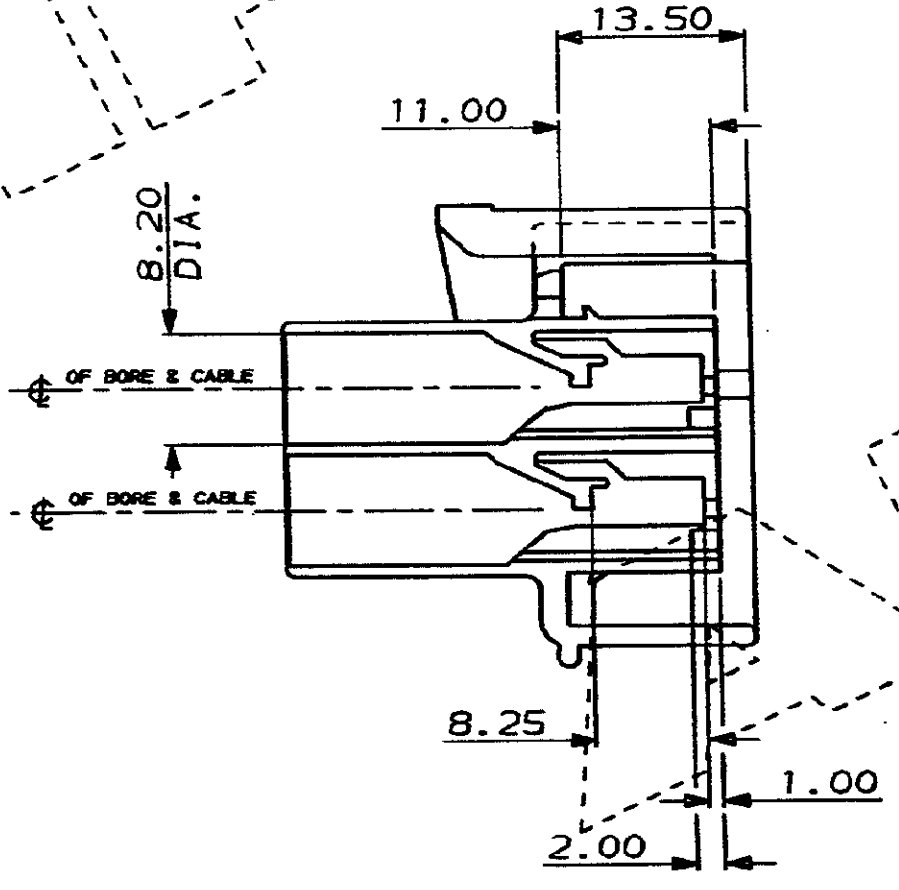
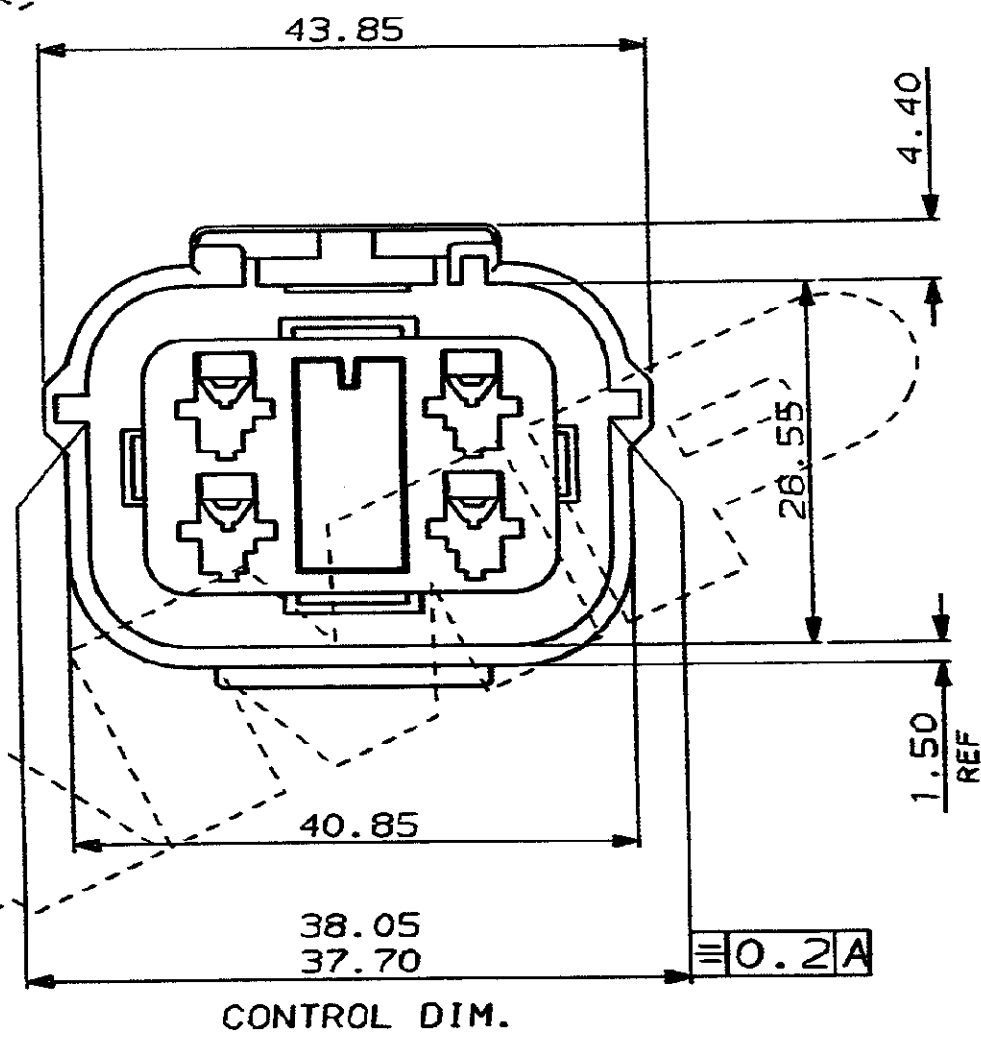
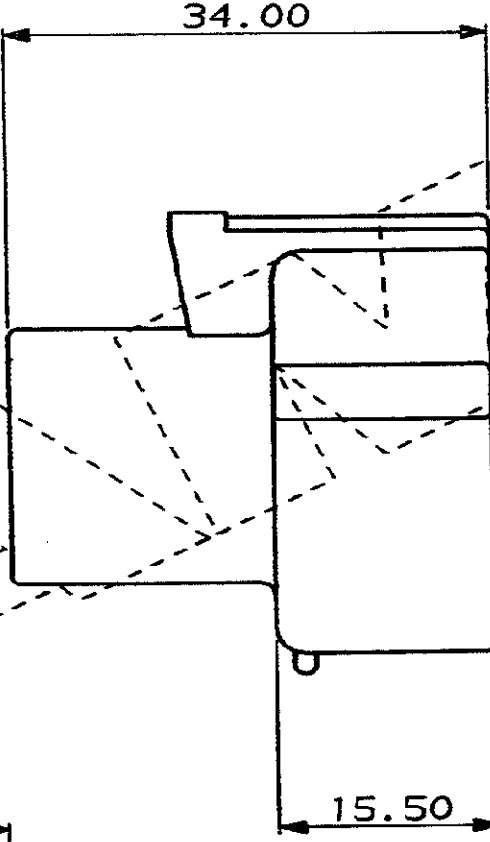
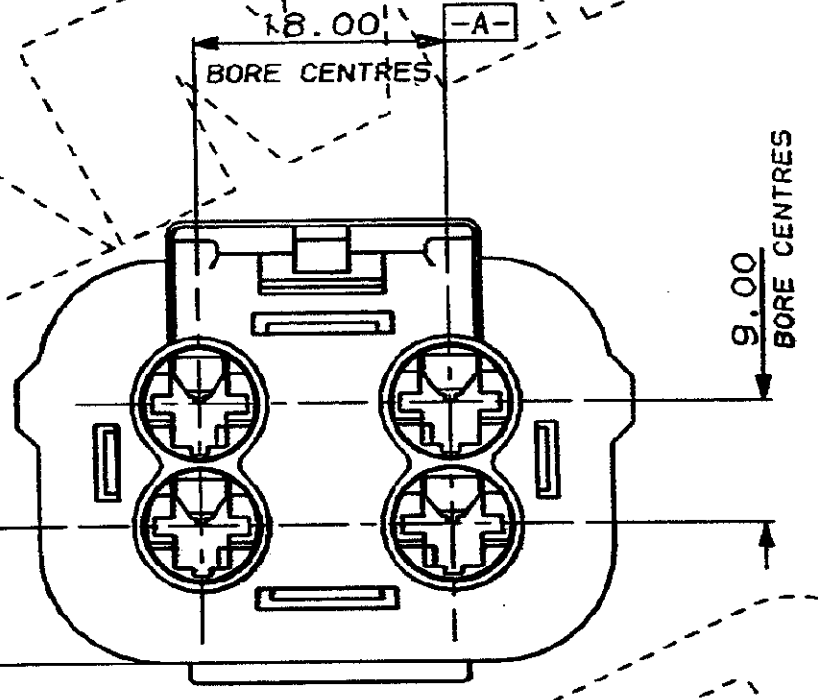
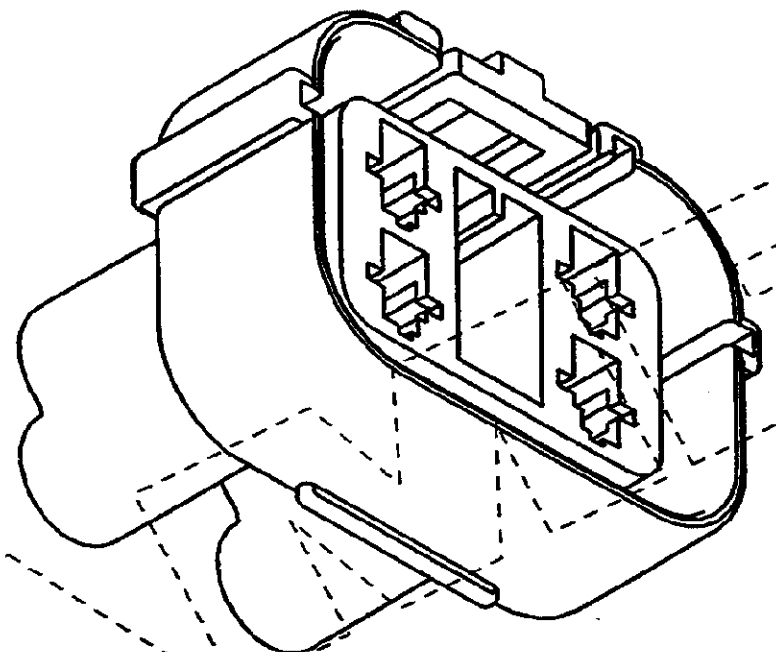
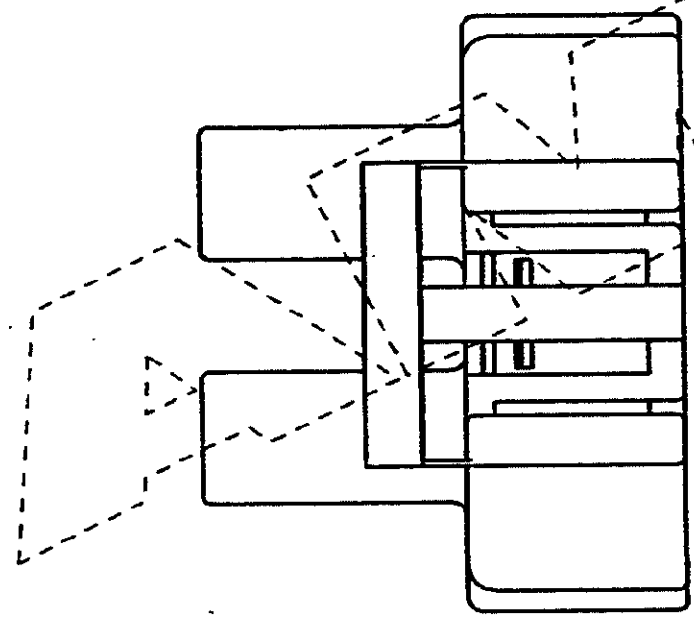
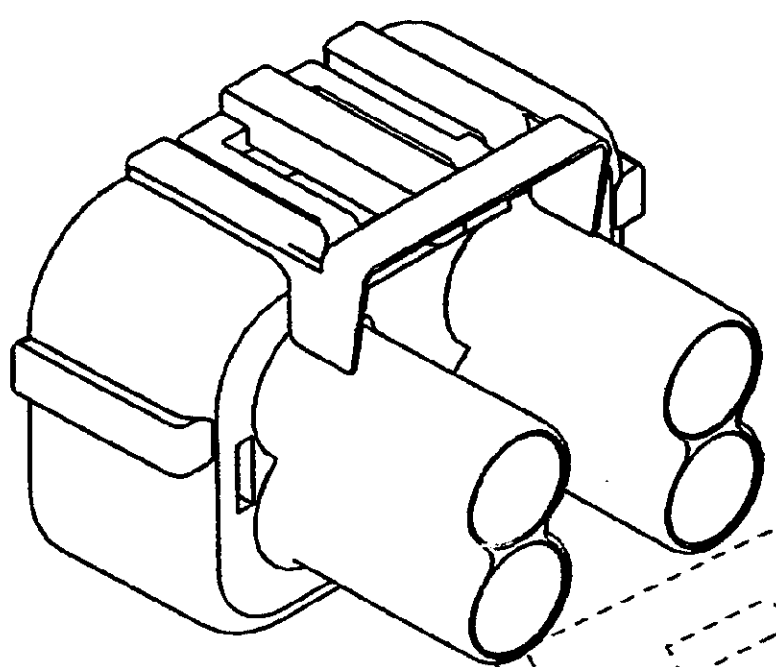
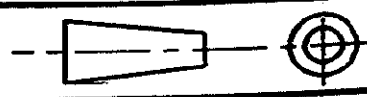


8 7 6 5 4 3 2 1

DO NOT SCALE

DIMENSIONS IN MM.



WHITE	NYLON 66	344077-4
BLUE	NYLON 66	344077-3
RED	NYLON 66	344077-2
BLACK	NYLON 66	344077-1
FINISH	MATERIAL	PART NUMBER

CUSTOMER DWG FOR REFERENCE ONLY		© COPYRIGHT 1987 BY AMP OF GREAT BRITAIN LTD. ALL INTERNATIONAL RIGHTS RESERVED. ALL PRODUCTS MAY BE COVERED BY BRITISH AND FOREIGN PATENTS AND/OR PATENTS PENDING.		RELEASED FOR PUBLICATION 22/06/87	
TOLERANCES UNLESS OTHERWISE STATED DEC ± 0.5 ANGLES ± 1°		DR. I. J.		22/06/87	
NAME 4 WAY RECEPTACLE HSG ECONOSEAL 3 HIGH CURRENT		CH. R. J. S.		APP. B. J.	
SCALE 2/1		LOC E		SIZE A2	
DWG. No. C344077		REV C		SHEET 1/1	