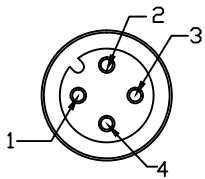
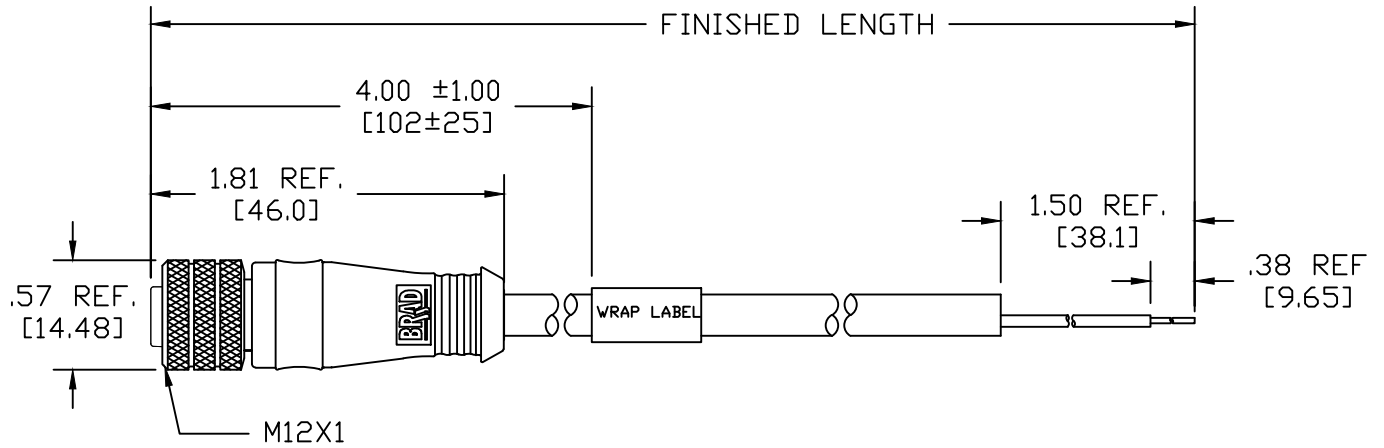
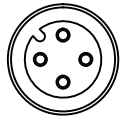


FEMALE INSERT
FRONT VIEW



- 1 BROWN
- 2 WHITE
- 3 BLUE
- 4 BLACK



MECHANICAL
 CONTACT : GOLD/NICKEL OVER COPPER ALLOY
 INSERT : BLACK PUR
 O-RING: RED VITON
 COUPLING NUT: TEFLON COAT OVER NICKEL PLATED BRASS
 MOLDED BODY: GRAY PVC
 CABLE: 20 AWG 4 CONDUCTORS LIGHT GRAY PVC JACKET
 CABLE MARKING: KRL-45/CM KURAMD E200151-K (UL) CM
 OR CL3 4C20AWG 75C AWM 2464 80C 300V VW-1...C(UL)
 CM 4C20AWG 75C AWM I A/B 80C 300V FT1
 1-BROWN 2-WHITE 3-BLUE 4-BLACK ** LF
 WRAP LABEL: MYLAR WHITE WITH BLACK LETTERS

ELECTRICAL
 VOLTAGE RATING: 250V AC/DC
 AMPERAGE: 4A

ENVIRONMENTAL
 PROTECTION: IP67 PER IEC 60529
 IP68 PER SPEC PS-120001-001
 OPERATION TEMP: 0°C~75°C

804000J11M020

Wire type
 20/4C AWG light
 Gray PVC

cable length
 M020----2 Meter
 M100----10 Meter

RELEASE EC NO: WEU2012-0002 DRWN: TWOLDEGE 2011/07/19 CHKD: VOU APPR: JFMURPHY 2012/04/17 REV	QUALITY SYMBOLS ▽=0 ▽C=0	GENERAL TOLERANCES (UNLESS SPECIFIED)		DIMENSION STYLE IN/MM		SCALE 1:1	DESIGN UNITS INCH	THIRD ANGLE PROJECTION	
		mm	INCH	DRAWN BY	DATE	TITLE			
	4 PLACES	±---	±---	TWOLDEGE	2011/07/19	MICRO CHANGE ASSEMBLY			
	3 PLACES	±---	±.005	CHECKED BY	DATE	4-POLE FEMALE STRAIGHT			
2 PLACES	±0.13	±.010	VOU	---	20/4 AWG LIGHT GRAY PVC				
1 PLACE	±.25	±.020	APPROVED BY	DATE	MOLEX MOLEX INCORPORATED				
	ANGULAR ±1/2°		JFMURPHY	2012/04/17	DOCUMENT NO. SD-120001-005				
DRAFT WHERE APPLICABLE MUST REMAIN WITHIN DIMENSIONS			MATERIAL NO.		SHEET NO. 1 OF 1				
A	SIZE A	THIS DRAWING CONTAINS INFORMATION THAT IS PROPRIETARY TO MOLEX INCORPORATED AND SHOULD NOT BE USED WITHOUT WRITTEN PERMISSION							