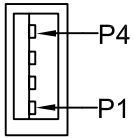
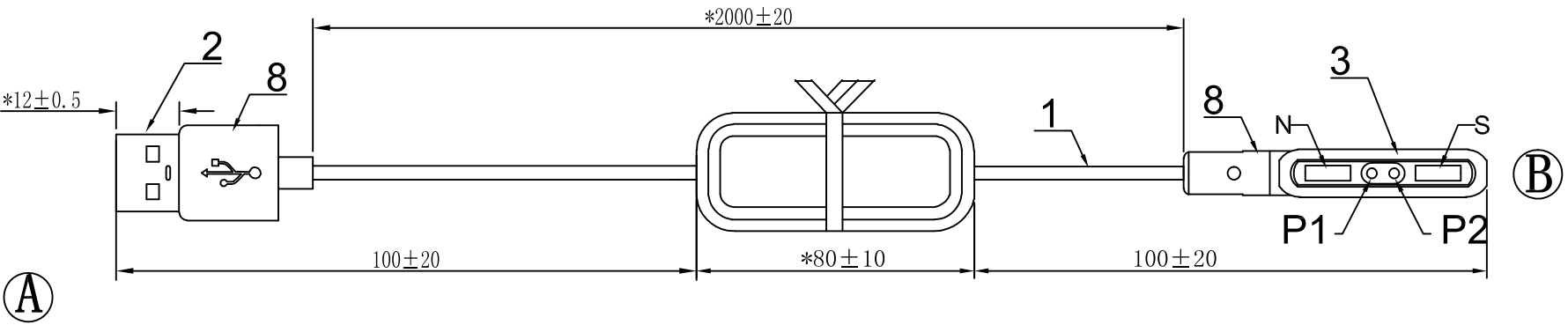


PROPRIETARY INFORMATION:
 PROPRIETARY OF GLOBTEK, INC. ANY REPRODUCTION, DISCLOSURE OR
 USE OF THIS DRAWING, IN WHOLE OR IN PART, IS HEREBY
 PROHIBITED EXCEPT AS SPECIFIED IN WRITING BY GLOBTEK, INC.

REVISION			
REV	DESCRIPTION	DATE	APPROVED
A	INITIAL RELEASE, RFS. 27108	06/20/18	DR
B	ADD 'N' AND 'S' TO CONNECTOR B, RFS. 27123	07/17/18	DR

(A)	Wire color	(B)
P1	Red	P1
P4	Black	P2

Important dimension "*"




Front view

1	Wire	UL1185 20AWG*1C+SHIELD OD:2.85 Black
2	Connector	CONNECTOR TYPE A USB-A-04
3	Connector	M-BP70102-02554A0B CFE 2pin male magnetic connector
4	Ferrite core	/
5	Turns of ferrite core	/
6	SR Mold	PVC 60P BLACK
7	Core Mold	/
8	Connector Mold	PVC 60P BLACK

RELEASED
 By N.Frost at 3:44 pm, Jul 17, 2018



DASH NO.	PART NO	REV.	DESCRIPTION	NOTES
TABULATION BLOCK				
		TOLERANCES: DECIMALS ANGULAR .xx +/- 0.1 +/- 1° .xxx +/- .005		 GlobTek, Inc. www.globtek.com 186 Veterans Dr. Northvale, NJ 07647 Tel. 201-784-1000 Fax 201.784.0111
		MILLIMETERS ANGULAR .xx +/- 0.3 +/- 1° .xxx +/- .013		
INIT.BY: DR	DATE: 06/20/18	DWG TITLE: MAGNETIC CABLE CONNECTOR		
DRAWN: NF	DATE: 06/20/18	FSCN No.: G, CC	SIZE A	REV. B
APRVD: DR	DATE: 06/20/18	SCALE: NONE	PART NO: MAG2C2A11852MUSBA(R)	SHEET 1/1

Foot Note:
 Globtek Inc. will not be liable for the safety and performance of these power product if unauthorized access and repair occurs. End user should consult the applicable UL, CSA or EN Standards for proper installation instruction.

Limitation of Use:
 Globtek product are not authorized for use as mission critical components in life support, hazardous environment, nuclear or aircraft applications without prior written approval from the CEO of Globtek Inc.

Contents of this document are subject to change without prior notice