



circuit breaker 3VA5 UL frame 125 3-pole, starter protection TM120M, AM, In=40A without overload protection short-circuit protection Ii=3...7 x In nut keeper kit on both sides

| Model | |
|--|-----------------------------|
| product brand name | SENTRON |
| product designation | Molded-case circuit breaker |
| product designation / according to UL file | HEAP |
| Product version | Starter protection |
| design of the load switch / according to UL 489 / Heating, Air Conditioning, and Refrigeration circuit breaker (HACR Type) | Yes |
| design of the load switch / according to UL 489 / High-Intensity-Discharge circuit breaker (HID Type) | No |
| design of the load switch / according to UL 489 / Switching Duty circuit breaker (SWD Type) | No |
| design of the overcurrent release | TM120M |
| protection function of the overcurrent release | I |
| number of poles | 3 |
| General technical data | |
| rated insulation voltage Ui | 800 V |
| operating voltage / at AC / rated value | 690 V |
| power loss [W] / maximum | 5 W |
| Active power loss / for rated value of the current / at AC / in hot operating state / per pole | 1.67 W |
| mechanical service life (switching cycles) / typical | 20 000 |
| Electrical endurance (switching cycles) / at AC-1 / at 380/415 V 50/60 Hz | 8 000 |
| Electrical endurance (switching cycles) / at AC-1 / at 690 V 50/60 Hz | 4 000 |
| electrical endurance (switching cycles) / at 480 V | 8 000 |
| electrical endurance (switching cycles) / at 600 V | 4 000 |
| Neutral conductors / upgradeable/retrofitable | No |
| ground-fault monitoring version | without |
| product function | |
| • communication function | No |
| • phase failure detection | No |
| • other measurement function | No |
| Net Weight | 1.034 kg |
| Current | |
| marking / according to UL 489 / 100%-rated breaker | No |
| operational current | |
| • at 40 °C | 40 A |
| • at 45 °C | 40 A |
| • at 50 °C | 40 A |

| | | | |
|--|--|--------------------------|--------------|
| <ul style="list-style-type: none"> • at 55 °C • at 60 °C • at 65 °C • at 70 °C | 40 A | | |
| | 40 A | | |
| | 40 A | | |
| | 40 A | | |
| Switching capacity according to IEC 60947 | | | |
| breaking capacity maximum short-circuit current (Icu) | | | |
| <ul style="list-style-type: none"> • at 240 V • at 415 V • at 690 V | 150 kA | | |
| | 70 kA | | |
| | 10 kA | | |
| breaking capacity operating short-circuit current (Ics) | | | |
| <ul style="list-style-type: none"> • at 240 V • at 415 V • at 690 V | 150 kA | | |
| | 70 kA | | |
| | 5 kA | | |
| short-circuit current making capacity (Icm) | | | |
| <ul style="list-style-type: none"> • at 240 V • at 415 V • at 690 V | 330 kA | | |
| | 154 kA | | |
| | 17 kA | | |
| design of short-circuit protection | For switching power values in DC networks, see the 3VA molded case circuit breaker device manual; link to be found under Service & Support in the last chapter | | |
| Adjustable parameters | | | |
| Ground fault protection / tripping switchable / I2t=ON/OFF | No | | |
| Mechanical Design | | | |
| height [in] | 5.51 in | | |
| Height | 140 mm | | |
| width [in] | 3 in | | |
| Width | 76.2 mm | | |
| depth [in] | 3.01 in | | |
| depth | 76.5 mm | | |
| Connections | | | |
| arrangement of electrical connectors / for main current circuit | Front connection | | |
| type of electrical connection / for main current circuit | nut keeper kit on both ends | | |
| Type of connectable conductor cross-section, connection screw, width x thickness , min. | 12 x 1 mm | | |
| Type of connectable conductor cross-section, connection screw, width x thickness , max. | 17 x 6.5 mm | | |
| Auxiliary circuit | | | |
| product component | | | |
| <ul style="list-style-type: none"> • undervoltage release • voltage trigger • trip indicator | No | | |
| | No | | |
| | No | | |
| number of CO contacts / for auxiliary contacts | 0 | | |
| Accessories | | | |
| product extension / optional / motor drive | Yes | | |
| Environmental conditions | | | |
| protection class IP / on the front | IP40 | | |
| ambient temperature | | | |
| <ul style="list-style-type: none"> • during operation / minimum • during operation / maximum • during storage / minimum • during storage / maximum | -25 °C | | |
| | 70 °C | | |
| | -40 °C | | |
| | 80 °C | | |
| Certificates | | | |
| reference code / according to IEC 81346-2 | Q | | |
| certificate of suitability / as approval for NAVAL (no combat vessels) / supplement SB | Yes | | |
| General Product Approval | EMC | Marine / Shipping | other |



Further information

Information- and Downloadcenter (Catalogs, Brochures,...)

<http://www.siemens.com/lowvoltage/catalogs>

Industry Mall (Online ordering system)

<https://mall.industry.siemens.com/mall/en/en/Catalog/product?mfb=3VA5140-1MU32-0AA0>

Service&Support (Manuals, Certificates, Characteristics, FAQs,...)

<https://support.industry.siemens.com/cs/ww/en/ps/3VA5140-1MU32-0AA0>

Image database (product images, 2D dimension drawings, 3D models, device circuit diagrams, ...)

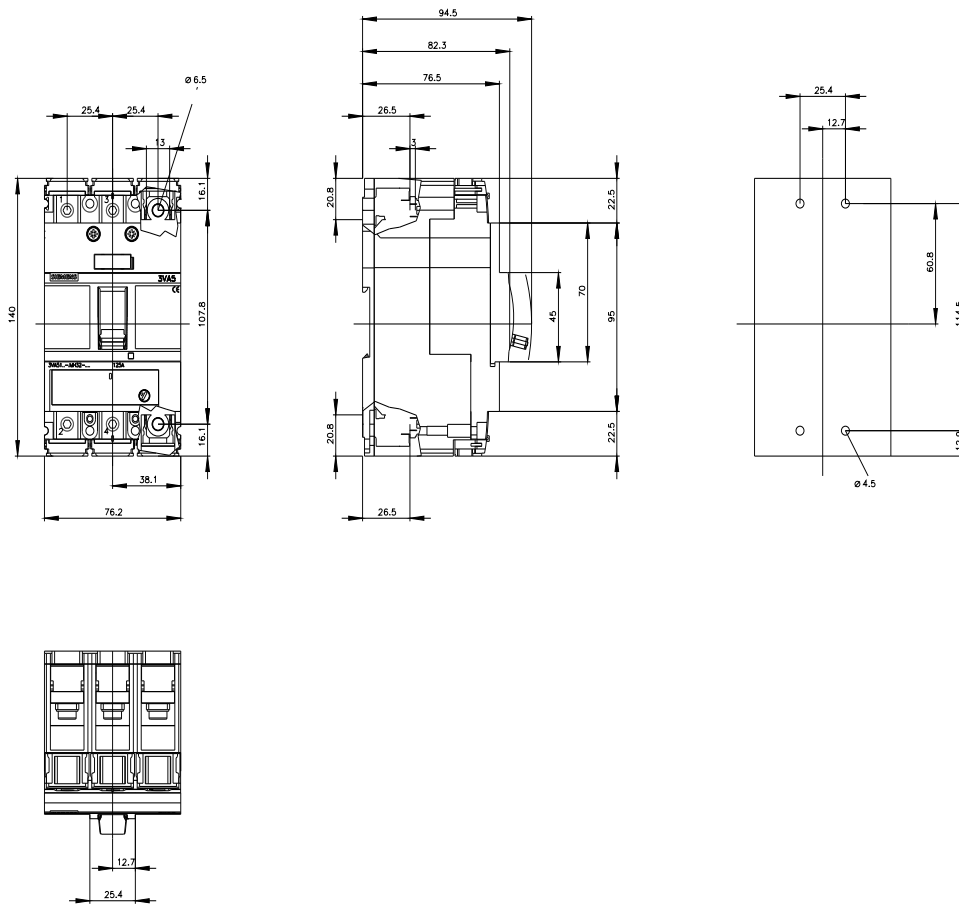
http://www.automation.siemens.com/bilddb/cax_en.aspx?mfb=3VA5140-1MU32-0AA0

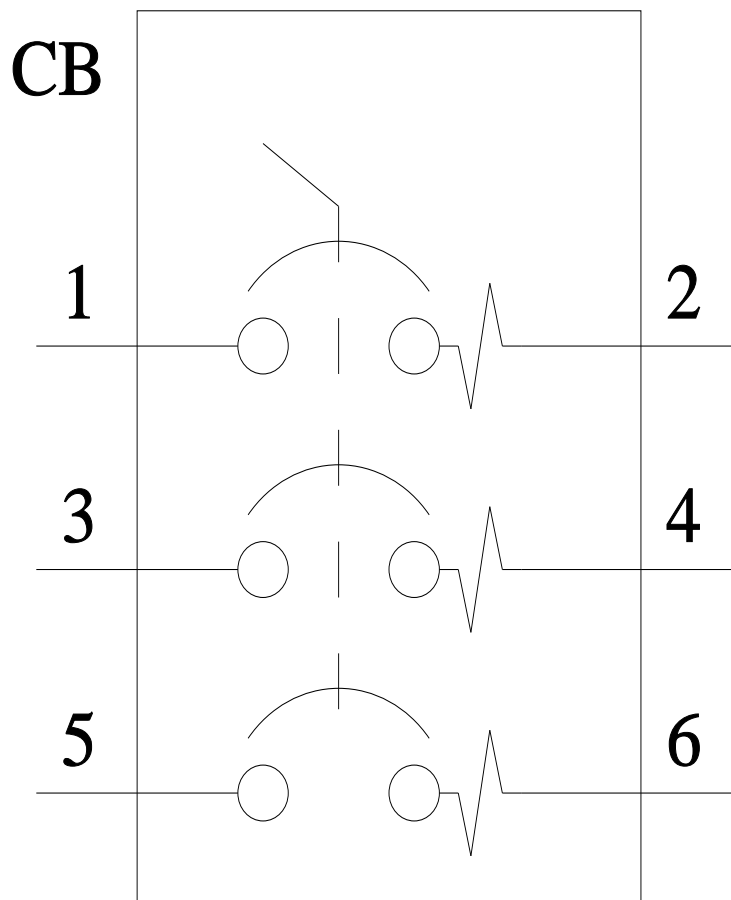
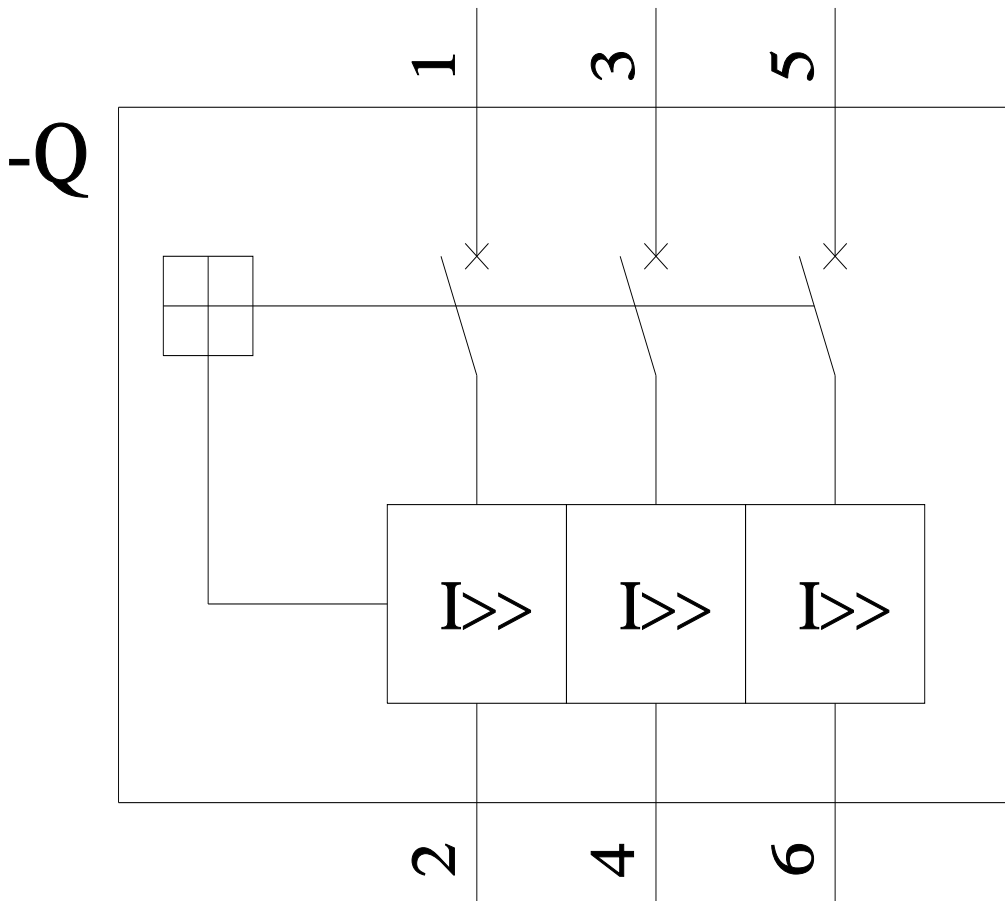
CAX-Online-Generator

<http://www.siemens.com/cax>

Tender specifications

<http://www.siemens.com/specifications>





last modified:

7/15/2022

