

6

5

4

3

2

1

D

D

C

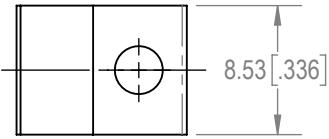
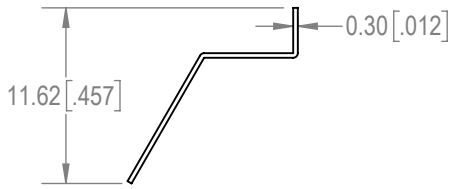
C

B

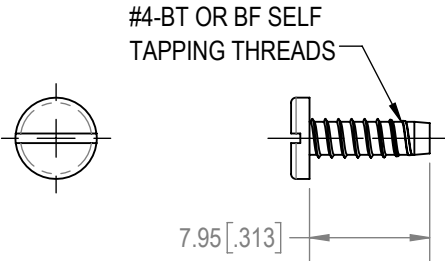
B

A

A

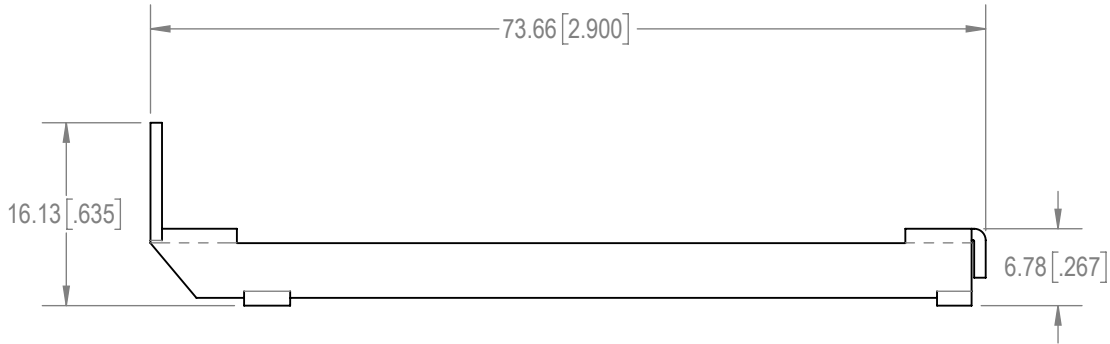
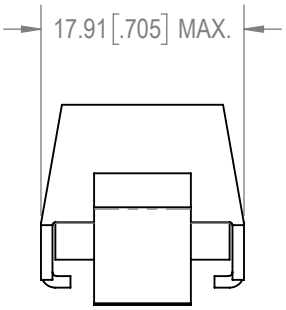
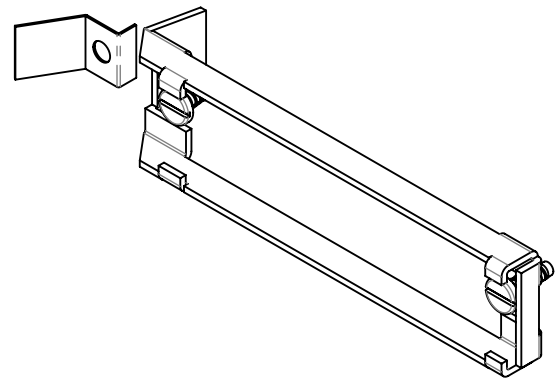


LOCKARM SPRING



#4-BT OR BF SELF TAPPING THREADS

2X MOUNTING SCREWS



LOCKARM LEVER

NOTES:

- MATERIALS AND FINISH:
 LOCKARM: STEEL, NICKEL PLATE.
 LOCKARM SPRING: BERYLLIUM COPPER, NICKEL PLATE.
 SCREWS: STEEL, ZINC PLATE WITH CHROMATE SEAL.
- DETAILED PRODUCT, MECHANICAL AND ELECTRICAL INFORMATION IS AVAILABLE IN THE LATEST D-SUB ACCESSORIES PRODUCT PUBLICATION AT CONNECTPOSITRONIC.COM.

BY PNY	CHK ND	3RD ANGLE 	POSITRONIC BELIEVES THE DATA ON THE DRAWING TO BE RELIABLE. THE USER EMPLOYS SUCH INFORMATION AT HIS OWN DISCRETION AND RISK. POSITRONIC ASSUMES NO RESPONSIBILITY FOR RESULTS OBTAINED OR DAMAGES INCURRED FROM USE OF SUCH INFORMATION IN WHOLE OR IN PART.	 Positronic CONNECTPOSITRONIC.COM
APR PA	RELEASED DATE: 2020-10-16	SCALE NTS		
TOLERANCES ±0.03mm [.001 INCHES] FOR MALE CONTACT MATING DIAMETERS ±0.08mm [.003 INCHES] FOR CONTACT TERMINATION DIAMETERS ±0.13mm [.005 INCHES] FOR ALL OTHER DIAMETERS ±0.38mm [.015 INCHES] FOR ALL OTHER DIMENSIONS ±5° FOR ALL ANGLES DIMENSION ARE IN MILLIMETERS [INCHES]		PART NUMBER D500000VL0	SERIES D	
		TITLE D500000VL0		
CREATED ON: 2020-10-16		SHEET SHEET 1 OF 1	REV A	

6

5

4

3

2

1