

PART NUMBER	REVISION	DESCRIPTION	FEED TYPE
2151740-1	B	FINE CRIMP HEIGHT ADJUST	MECHANICAL
2151740-2	B	FINE CRIMP HEIGHT ADJUST	PNEUMATIC
7-2151740-1	B	MECHANICAL AND CRIMP TOOLING KIT	MECHANICAL
7-2151740-2	B	PNEUMATIC AND CRIMP TOOLING KIT	PNEUMATIC
7-2151740-7	A	CRIMP TOOLING KIT	-

ATLANTIC VERSION TERMINATOR INTERFACE ADAPTER

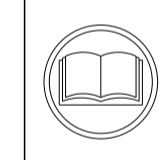


APPLICATOR DATA		
CRIMP	SIZE	TYPE
WIRE	1.40 mm [.055]	F
INSUL	1.78 mm [.070]	O

APPLICATOR INSTRUCTIONS  
408-35042

TERMINAL DATA: TE TERMINAL		TE CRIMP SPECIFICATION	
TERMINAL NAME: REC CONTACT ASSY S RANGE CLEAN BODY 025 CONNECTOR			
WIRE STRIP LENGTH		INSULATION DIAMETER RANGE	
4.50-5.00 mm [.177-.197 IN]		Ø1.10-1.70 mm [.043-.067 IN]	
TERMINAL APPLICATION SPECIFICATION	114-5278		
TERMINALS APPLIED			
TE TERMINAL	TE TERMINAL	TE TERMINAL	TE TERMINAL
1717148-1			

WIRE SIZE	CRIMP HEIGHT mm [INCH]	CRIMP HEIGHT REFERENCE SETTING
0.50mm2	0.88+/-0.03 [.035+/- .001]	7.8
0.30mm2	0.79+/-0.03 [.031+/- .001]	8.8



- 1 RECOMMENDED SPARE PARTS
- 2 REFER TO SUPPLIED INSTRUCTION SHEET FOR CLEANING, LUBRICATION AND STORAGE OF APPLICATOR.
- 3 APPLY PART NUMBER 2-23419-6 LOCTITE TO THREADS OF ITEM 242.
- 4 CRIMP HEIGHT REFERENCE SETTING WAS THE SETTING USED WHEN THE APPLICATOR WAS QUALIFIED AT THE FACTORY. ADJUSTMENT MAY BE NECESSARY WHEN RUNNING APPLICATOR IN THE FIELD.
- 5. UNLESS SPECIFIED OTHERWISE TORQUE VALUES SHALL BE USED PER DOCUMENT, 101-35000.

**\*WARNING**  
ON INSTALLATION, SET WIRE DISC TO CRIMP HEIGHT REFERENCE SETTING FOR LARGEST WIRE SIZE. CRIMP HEIGHT REFERENCE SETTINGS GREATER THAN THE VALUE SHOWN MAY CAUSE DAMAGE TO THE CRIMP TOOLING. REFER TO THE INSTRUCTION SHEET FOR PROPER SETUP AND ADJUSTMENTS.

LOC	DIST	REVISIONS					
		P	LTN	DESCRIPTION	DATE	OWN	APVD
A	66	1		DEVELOPMENT	20AUG2012	YY	SX
		A		RELEASED	25OCT2012	YY	SX
		B		ECR-20-001690	05FEB2020	TB	RK

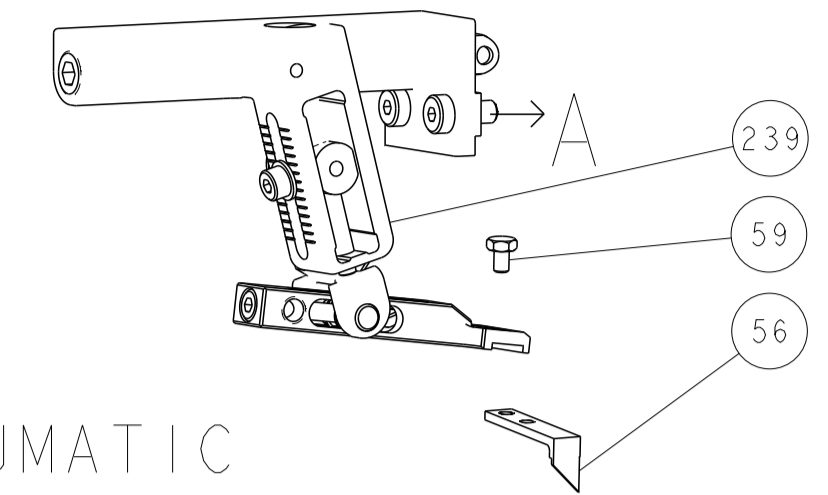
-	1	-	1	-	2119641-1	FEED CAM, AIR FEED	248	
-	1	1	1	1	2119082-6	CAM, SNAIL, INSULATION ADJUSTMENT	244	
-	1	1	1	1	2079764-1	WASHER, WAVE SPRING, CREST-TO-CREST	243	
3	-	1	1	1	2119083-1	RETAINER, INSULATION DIAL	242	
-	1	1	1	1	7-18023-7	SCR, SKT HD CAP M3 X 4.0	241	
-	-	1	-	-	2119580-1	MECHANICAL FEED ASSEMBLY	239	
-	1	-	1	-	2844940-1	AIR FEED MODULE	238	
-	REF	REF	REF	REF	994970-2	COUNTER, MAGNETIC	164	
-	1	1	1	1	1-18028-2	WASHER, FLAT, REG M4	119	
-	1	1	1	1	2844908-1	SCREW, LOCKING	99	
-	1	1	1	1	2844907-1	POST, LOCKING	98	
-	1	1	1	1	455888-5	SPACER, CRIMPER	82	
-	1	1	1	1	5-547505-2	SPRING, COMPRESSION	77	
-	1	1	1	1	854769-4	HOLDER, INS	74	
-	1	1	1	1	1803607-3	DOCUMENTATION PACKAGE	71	
-	1	1	1	1	2119740-1	TAG, IDENTIFICATION	67	
-	2	2	2	2	2168078-1	SCREW, DRIVE, RH, RoHS, 2 x .188	66	
-	1	1	1	1	2168083-2	SCR, SKT HD CAP, RoHS, M4 X 8.0	60	
-	1	1	1	1	5-18022-5	SCR, HEX HD CAP, M4 X 6.0	59	
-	1	1	1	1	21028-2	PIN, SLOTTED SPRING .062 X .250	58	
-	1	1	1	1	1338685-1	PAWL, FEED	56	
-	4	4	4	4	2168083-3	SCR, SKT HD CAP, RoHS, M4 X 12.0	54	
-	2	2	2	2	1-2168083-0	SCR, SKT HD CAP, RoHS, M4 X 10	53	
-	1	1	1	1	1803382-6	HOLD DOWN, SPRING LOADED	50	
-	1	2	1	2	18023-9	SCR, SKT HD CAP M4 X 6.0	49	
-	-	1	-	-	2119652-1	FEED CAM, PRE FEED	48	
-	-	1	-	-	2119653-1	FEED CAM, POST FEED	47	
-	1	1	1	1	1803583-9	APPLICATOR BASIC ASSEMBLY, SF	46	
-	1	1	1	1	1803515-1	RAM ASSEMBLY, SF ATLANTIC	44	
-	1	1	1	1	1803602-1	SCR, BHSC, RoHS (M8 X 25)	41	
-	1	1	1	1	1752356-3	SUPPORT, TERMINAL	34	
-	2	2	2	2	2079383-5	SCR, BHSC, RoHS (M4 X 20)	33	
-	2	2	2	2	2-2844962-4	SPACER, CYLINDRICAL, STRIP GUIDE	30	
-	1	1	1	1	2844992-1	ASSEMBLY, STRIP GUIDE	29	
-	1	1	1	1	455888-3	SPACER, CRIMPER	28	
-	1	1	1	1	1320928-2	STRIP GUIDE	24	
-	1	1	1	1	2168083-2	SCR, SKT HD CAP, RoHS, M4 X 8.0	21	
-	1	1	1	1	1-18028-2	WASHER, FLAT, REG M4	20	
-	1	1	1	1	2119533-1	STRIPPER, SIDE FEED	19	
1	-	1	1	1	2119806-1	INSERT, SHEAR	13	
-	1	1	1	1	3-22280-3	SPRING, COMPRESSION	12	
-	1	1	1	1	1-356885-4	STOP, SHEAR	11	
1	-	1	1	1	2119805-1	SHEAR HOLDER, FRONT	10	
1	-	1	1	1	1803095-6	FLOATING SHEAR, FRONT	9	
1	1	2	2	1	1	5-1333201-5	ANVIL, COMBINATION	8
-	-	-	-	-	-	-	7	
-	-	-	-	-	-	-	6	
-	1	1	1	1	2119780-9	DEPRESSOR, SHEAR	5	
-	1	1	1	1	1-238011-0	BLOCK, CRIMPER SPACER	4	
1	1	2	2	1	1	6-2119784-8	CRIMPER, INSULATION O PREMIUM	3
-	1	1	1	1	455888-9	SPACER, CRIMPER	2	
1	1	2	2	1	1	1276940-5	CRIMPER, SPECIAL	1
-	77	-72	-71	-2	-1	PART NO	DESCRIPTION	ITEM NO

ATLANTIC VERSION  
Shown on sheets 1 of 4 & 2 of 4  
(Pacific version shown on sheets 3 of 4 & 4 of 4)

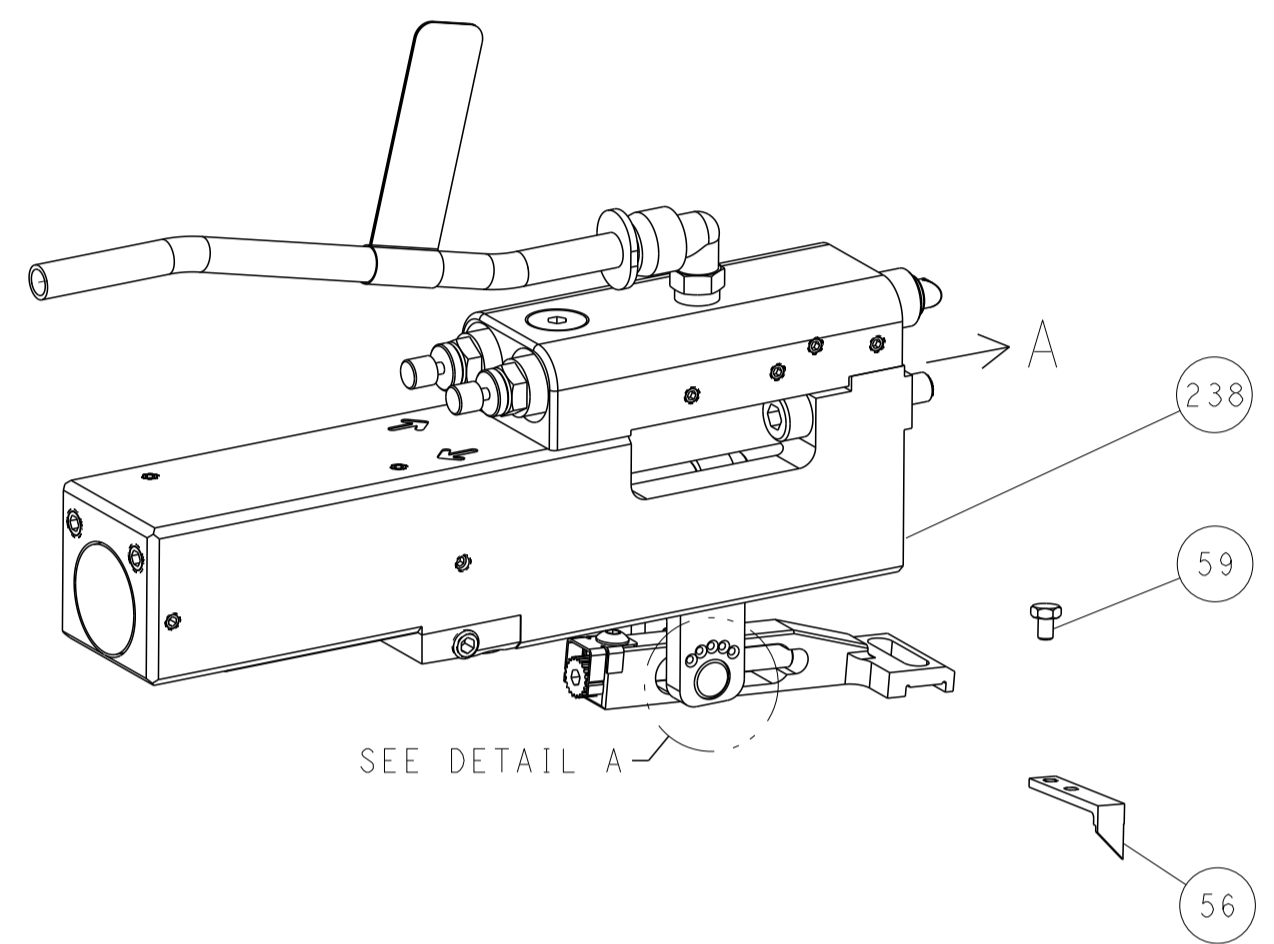
DIMENSIONS:		TOLERANCES UNLESS OTHERWISE SPECIFIED:		OWN	Y. YIN	20AUG2012	TE Connectivity Harrisburg, PA 17105-3608
mm	0 PLC ± 1 PLC ± 2 PLC ± 3 PLC ± 4 PLC ± ANGLES ±	FINISH	FINISH	CHK	G. BAILEY	20AUG2012	
MATERIAL		WEIGHT		APVD	S. XI	20AUG2012	NAME
				PRODUCT SPEC			Ocean Side Feed Applicator
				APPLICATION SPEC			SIZE
							CAGE CODE
							DRAWING NO
							RESTRICTED TO
							A1 00779 ©=2151740
							Customer Accessible Production Drawing
							SCALE 1:2 SHEET 1 OF 4 REV B

LOC	DIST	REV	DATE	BY	APPV
A	66	-	SEE SHEET 1	-	-

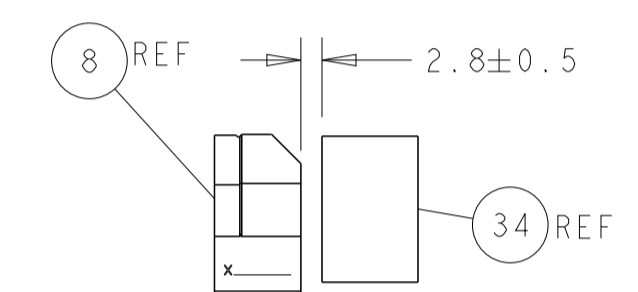
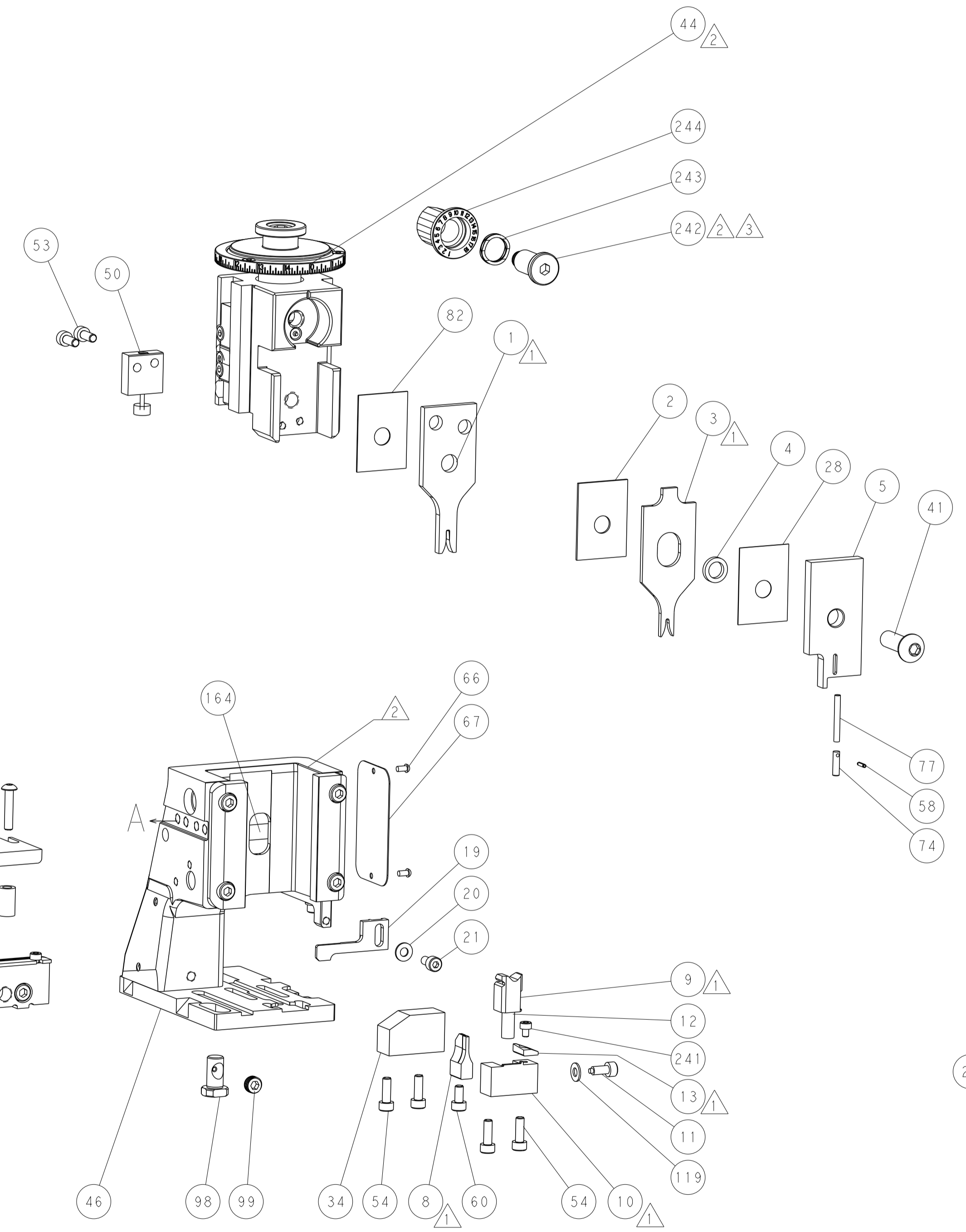
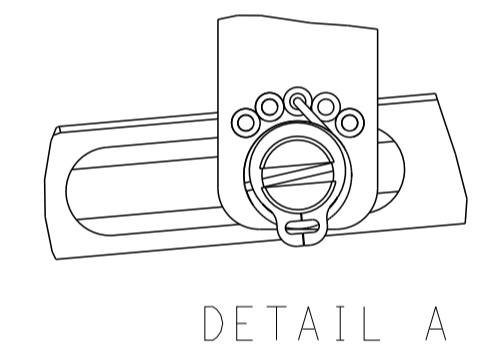
# FEED TYPE MECHANICAL



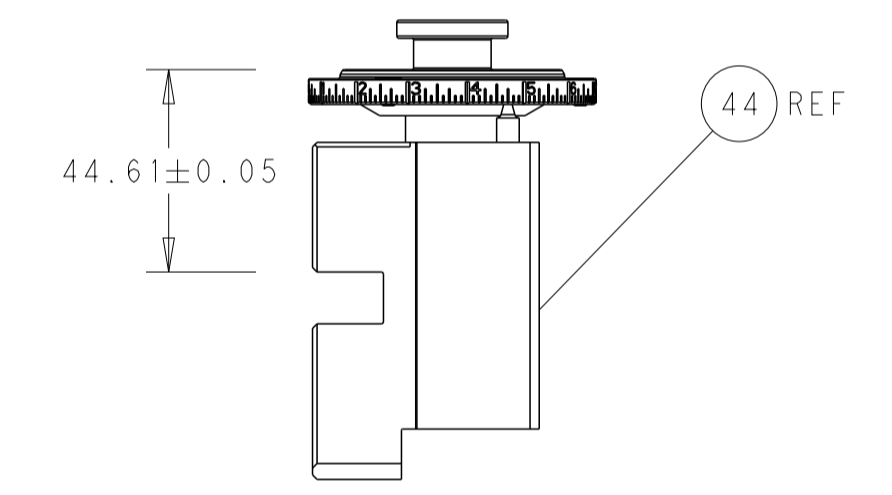
## PNEUMATIC



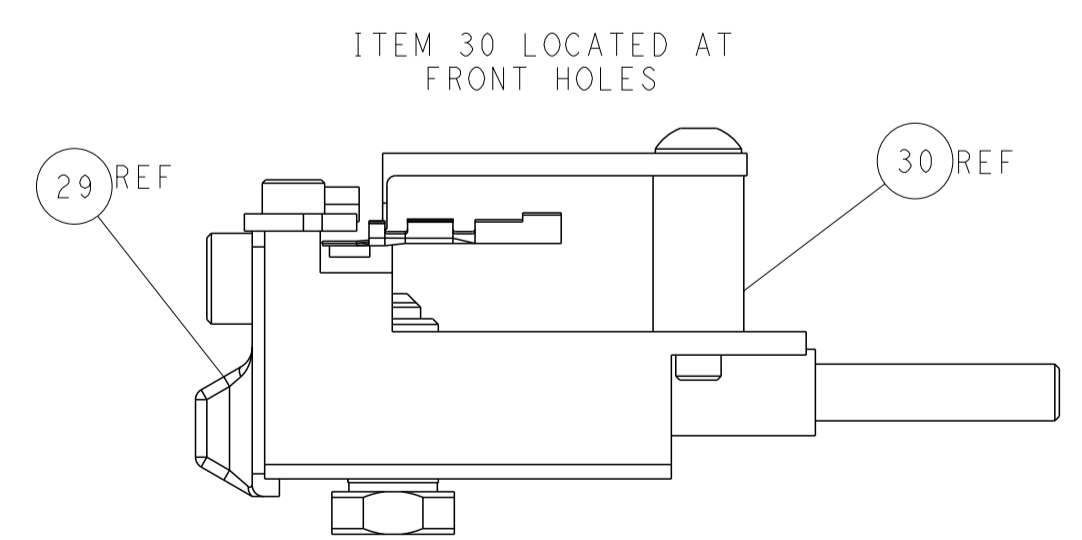
### FEED SPRING SETTING POSITION (SHOWN FROM REAR SIDE)



TERMINAL SUPPORT LOCATION

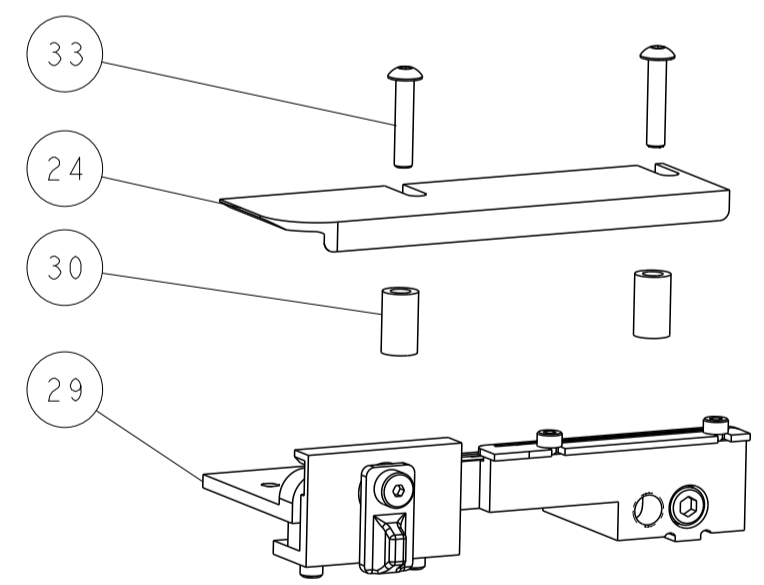
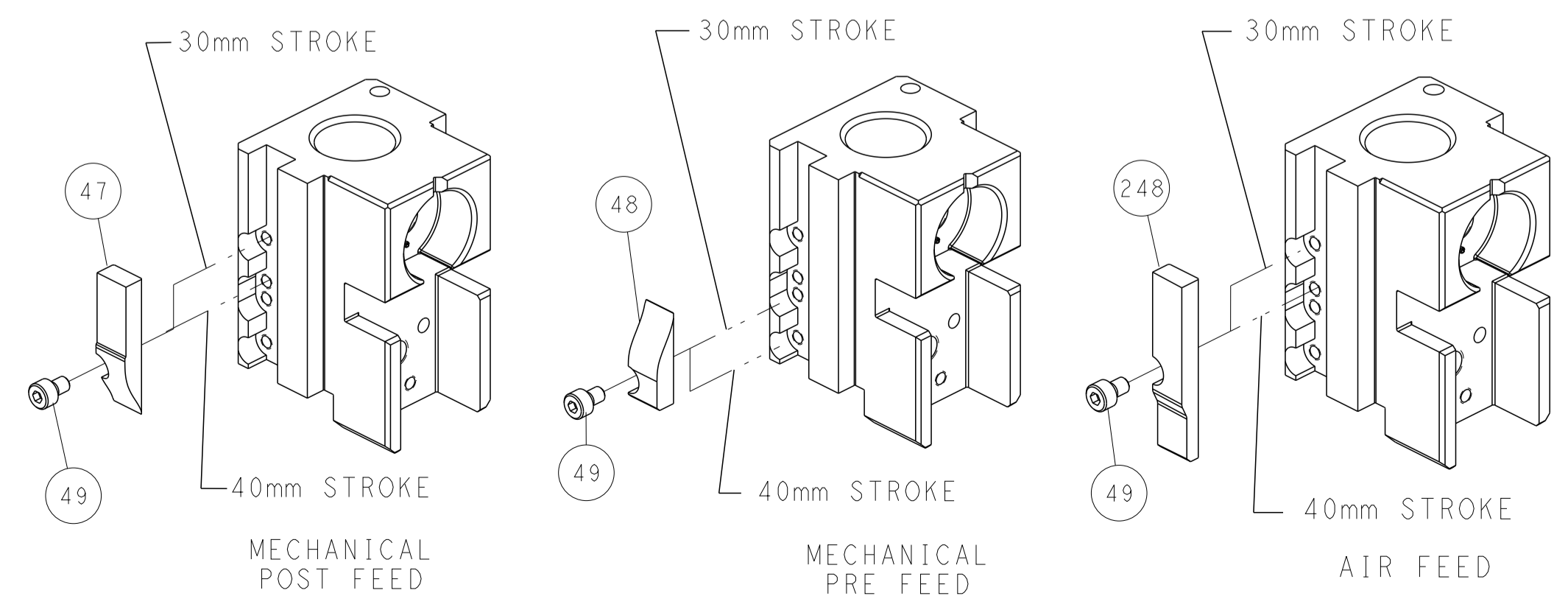


RAM SET-UP



FEED TRACK POSITION GUIDE BY INS. BARREL

# CAM POSITIONS



**ATLANTIC VERSION**  
 Shown on sheets 1 of 4 & 2 of 4  
 (Pacific version shown on sheets 3 of 4 & 4 of 4)

DIMENSIONS: mm 		TOLERANCES UNLESS OTHERWISE SPECIFIED: 0 PLC ± 1 PLC ± 2 PLC ± 3 PLC ± 4 PLC ± ANGLES ±		DWG: Y. YIN 20AUG2012 CHK: G. BAILEY 20AUG2012 APPV: S. XI 20AUG2012 NAME: Ocean Side Feed Applicator SIZE: A1 CAGE CODE: 00779 DRAWING NO: 2151740 SCALE: 1:2 SHEET: 2 of 4 REV: B	
MATERIAL:		FINISH:		WEIGHT:	

PART NUMBER	REVISION	DESCRIPTION	FEED TYPE
2-2151740-1	B	FINE CRIMP HEIGHT ADJUST	MECHANICAL
2-2151740-2	B	FINE CRIMP HEIGHT ADJUST	PNEUMATIC
7-2151740-7	A	CRIMP TOOLING KIT	-

PACIFIC VERSION TERMINATOR  
INTERFACE ADAPTER



APPLICATOR DATA		
CRIMP	SIZE	TYPE
WIRE	1.40 mm [.055]	F
INSUL	1.78 mm [.070]	O

APPLICATOR INSTRUCTIONS  
408-35042

TERMINAL DATA: TE TERMINAL		TE CRIMP SPECIFICATION	
TERMINAL NAME: REC CONTACT ASSY S RANGE CLEAN BODY Q25 CONNECTOR			
WIRE STRIP LENGTH		INSULATION DIAMETER RANGE	
4.50-5.00 mm [1.177-.197 IN]		Ø1.10-1.70 mm [1.043-.067 IN]	
TERMINAL APPLICATION SPECIFICATION	114-5278	-	-
TERMINALS APPLIED			
TE TERMINAL	TE TERMINAL	TE TERMINAL	TE TERMINAL
1717148-1			

WIRE SIZE	CRIMP HEIGHT mm [INCH]	CRIMP HEIGHT REFERENCE SETTING
0.50mm <sup>2</sup>	0.88 +/- 0.03 [1.035 +/- .001]	7.8
0.30mm <sup>2</sup>	0.79 +/- 0.03 [1.031 +/- .001]	8.8



- △ RECOMMENDED SPARE PARTS
- △ REFER TO SUPPLIED INSTRUCTION SHEET FOR CLEANING, LUBRICATION AND STORAGE OF APPLICATOR.
- △ APPLY PART NUMBER 2-23419-6 LOCTITE TO THREADS OF ITEM 242.
- △ CRIMP HEIGHT REFERENCE SETTING WAS THE SETTING USED WHEN THE APPLICATOR WAS QUALIFIED AT THE FACTORY. ADJUSTMENT MAY BE NECESSARY WHEN RUNNING APPLICATOR IN THE FIELD.
- 5. UNLESS SPECIFIED OTHERWISE TORQUE VALUES SHALL BE USED PER DOCUMENT, 101-35000.

**\*WARNING**  
ON INSTALLATION, SET WIRE DISC TO CRIMP HEIGHT REFERENCE SETTING FOR LARGEST WIRE SIZE. CRIMP HEIGHT REFERENCE SETTINGS GREATER THAN THE VALUE SHOWN MAY CAUSE DAMAGE TO THE CRIMP TOOLING. REFER TO THE INSTRUCTION SHEET FOR PROPER SETUP AND ADJUSTMENTS.

LOC	DIST	REV	DATE	BY	APPV
A	66	-	-	-	-

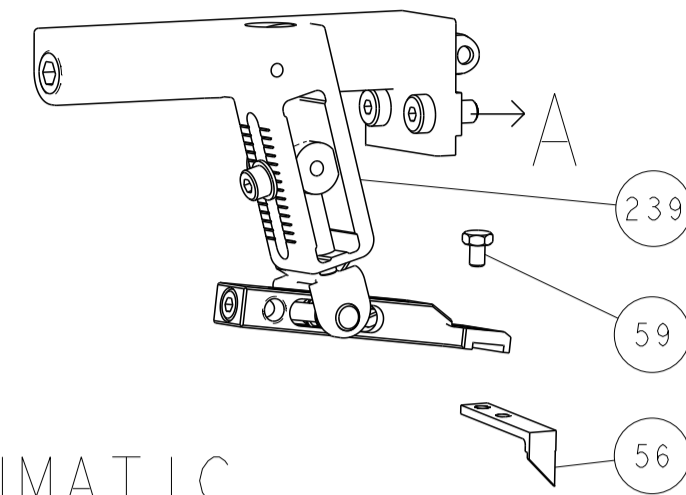
REV	DATE	BY	APPV	DESCRIPTION	ITEM NO	
-	1	1		2119082-6	CAM, SNAIL, INSULATION ADJUSTMENT	244
-	1	1		2079764-1	WASHER, WAVE SPRING, CREST-TO-CREST	243
-	1	1		2119083-1	RETAINER, INSULATION DIAL	242
-	1	1		7-18023-7	SCR, SKT HD CAP M3 X 4.0	241
-	-	1		2119580-1	MECHANICAL FEED ASSEMBLY	239
-	1	-		2844940-1	AIR FEED MODULE	238
-	REF	REF		994970-2	COUNTER, MAGNETIC	164
-	1	-		2119641-2	FEED CAM, AIR FEED	151
-	1	1		2168083-8	SCR, SKT HD CAP, RoHS, M4 X 16	144
-	4	4		2168083-9	SCR, SKT HD CAP, RoHS, M4 X 20	143
-	-	1		2119653-2	FEED CAM, POST FEED	142
-	1	1		1-1803583-0	APPLICATOR BASIC ASSEMBLY, SF	141
-	1	1		1803516-1	RAM ASSEMBLY, SF PACIFIC	140
-	1	1		1-18028-2	WASHER, FLAT, REG M4	119
-	1	1		2844908-1	SCREW, LOCKING	99
-	1	1		2844907-1	POST, LOCKING	98
-	1	1		455888-5	SPACER, CRIMPER	82
-	1	1		5-547505-2	SPRING, COMPRESSION	77
-	1	1		854769-4	HOLDER, INS	74
-	1	1		1803607-3	DOCUMENTATION PACKAGE	71
-	1	1		2119740-1	TAG, IDENTIFICATION	67
-	2	2		2168078-1	SCREW, DRIVE, RH, RoHS, 2 x .188	66
-	1	1		5-18022-5	SCR, HEX HD CAP, M4 X 6.0	59
-	1	1		21028-2	PIN, SLOTTED SPRING .062 X .250	58
-	1	1		1338685-1	PAWL, FEED	56
-	2	2		1-2168083-0	SCR, SKT HD CAP, RoHS, M4 X 10	53
-	1	1		1803382-6	HOLD DOWN, SPRING LOADED	50
-	1	2		18023-9	SCR, SKT HD CAP M4 X 6.0	49
-	-	1		2119652-1	FEED CAM, PRE FEED	48
-	1	1		1803602-1	SCR, BHSC, RoHS (M8 X 25)	41
-	1	1		1752356-3	SUPPORT, TERMINAL	34
-	2	2		2079383-5	SCR, BHSC, RoHS (M4 X 20)	33
-	2	2		2-2844962-4	SPACER, CYLINDRICAL, STRIP GUIDE	30
-	1	1		2844992-1	ASSEMBLY, STRIP GUIDE	29
-	1	1		455888-3	SPACER, CRIMPER	28
-	1	1		1320928-2	STRIP GUIDE	24
-	1	1		2168083-2	SCR, SKT HD CAP, RoHS, M4 X 8.0	21
-	1	1		1-18028-2	WASHER, FLAT, REG M4	20
-	1	1		2119533-1	STRIPPER, SIDE FEED	19
-	1	1		2119806-1	INSERT, SHEAR	13
-	1	1		3-22280-3	SPRING, COMPRESSION	12
-	1	1		1-356885-4	STOP, SHEAR	11
-	1	1		2119805-1	SHEAR HOLDER, FRONT	10
-	1	1		1803095-6	FLOATING SHEAR, FRONT	9
-	1	1		5-1333201-5	ANVIL, COMBINATION	8
-	-	-		-	-	7
-	-	-		-	-	6
-	1	1		2119780-9	DEPRESSOR, SHEAR	5
-	1	1		1-238011-0	BLOCK, CRIMPER SPACER	4
-	1	1		6-2119784-8	CRIMPER, INSULATION O PREMIUM	3
-	1	1		455888-9	SPACER, CRIMPER	2
-	1	1		1276940-5	CRIMPER, SPECIAL	1
-	77	-22	-21	PART NO	DESCRIPTION	ITEM NO

PACIFIC VERSION  
Shown on sheets 3 of 4 & 4 of 4  
(Atlantic version shown on sheets 1 of 4 & 2 of 4)

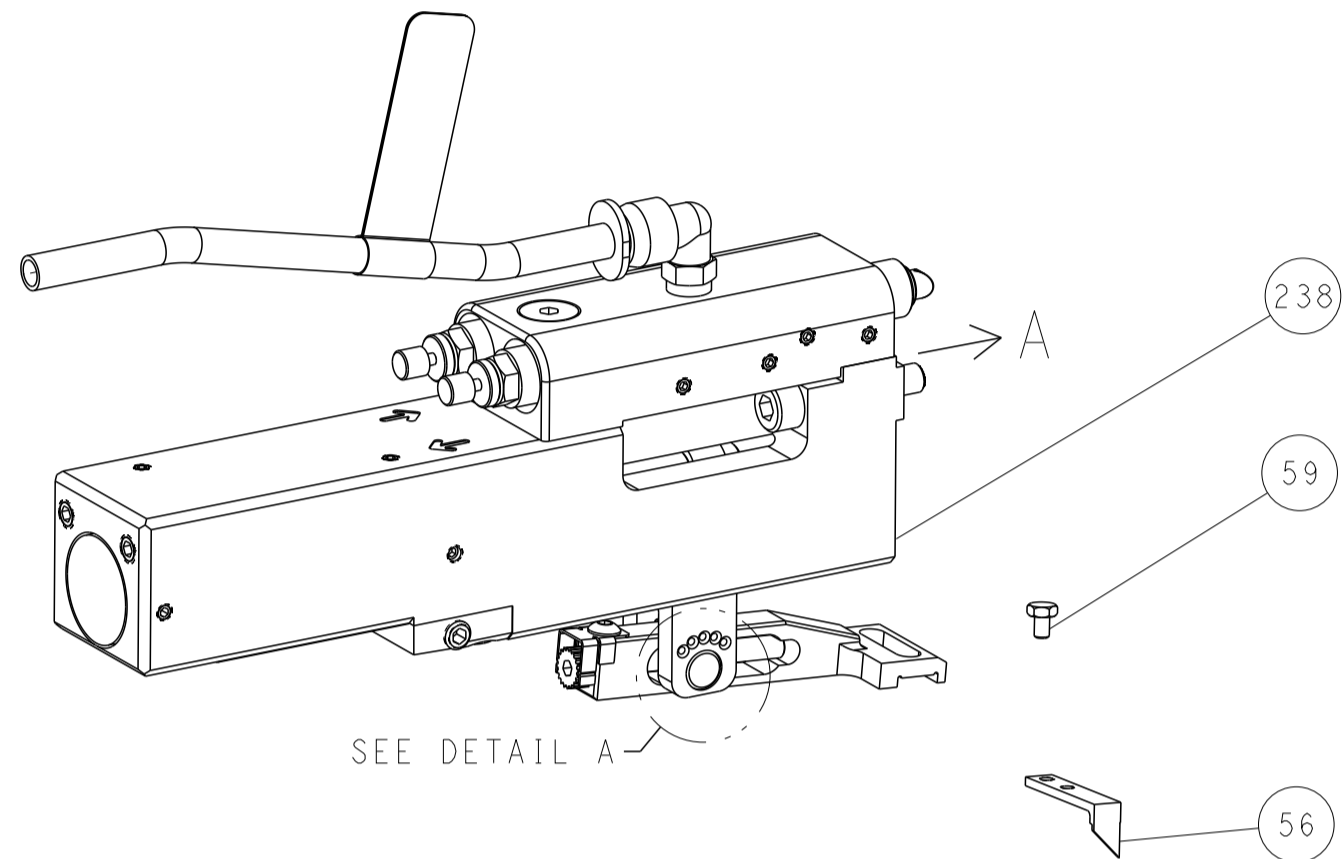
DIMENSIONS:		TOLERANCES UNLESS OTHERWISE SPECIFIED:		DWG		DATE	
mm	0 PLC ±	1 PLC ±	2 PLC ±	3 PLC ±	4 PLC ±	Y. YIN	20AUG2012
	ANGLES	FINISH		CHK		G. BAILEY	20AUG2012
MATERIAL				APPV		S. XI	20AUG2012
				PRODUCT SPEC			
				APPLICATION SPEC			
				WEIGHT			
				SCALE			
				SHEET			
				REV			

LOC		DIST		REVISIONS			
A	66	P	LTM	DESCRIPTION	DATE	DWN	APVD
		-		SEE SHEET 1			

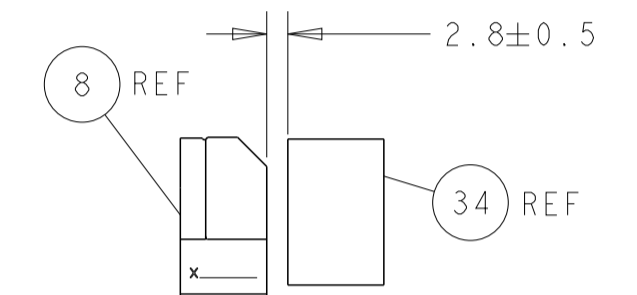
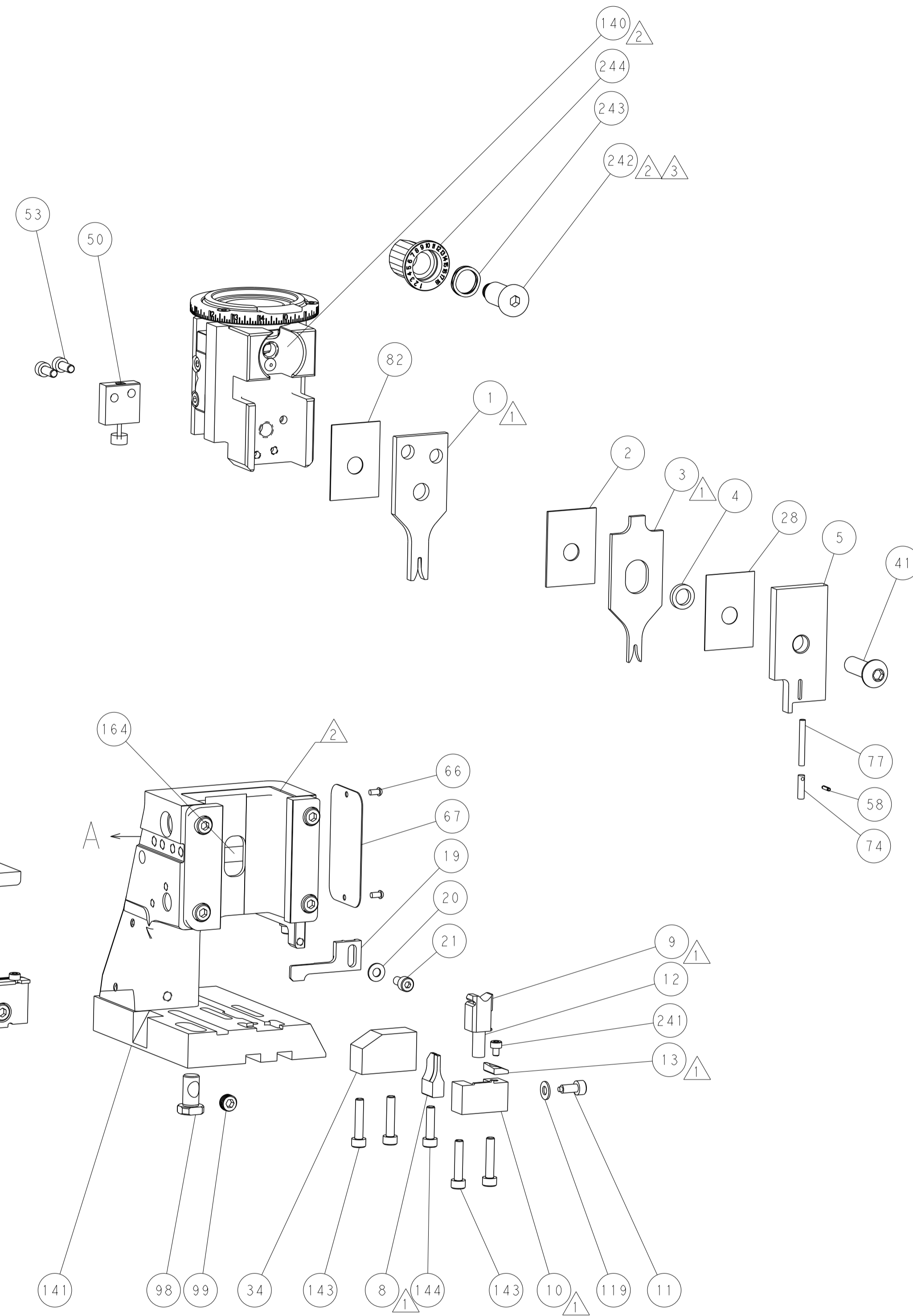
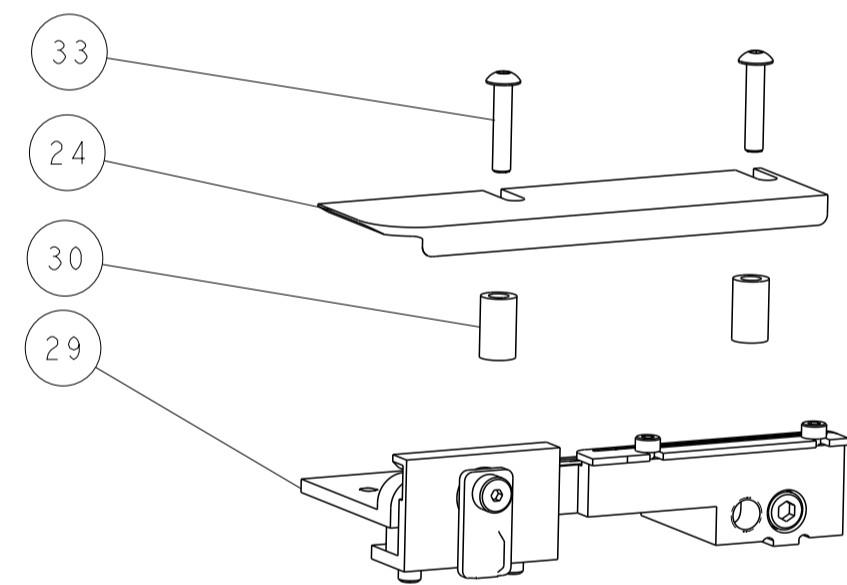
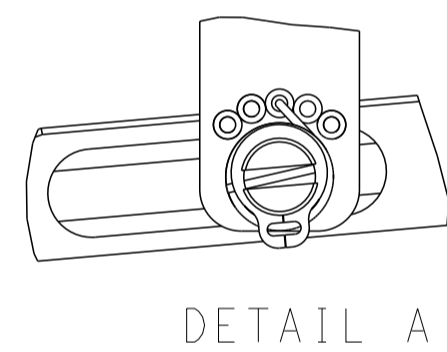
# FEED TYPE MECHANICAL



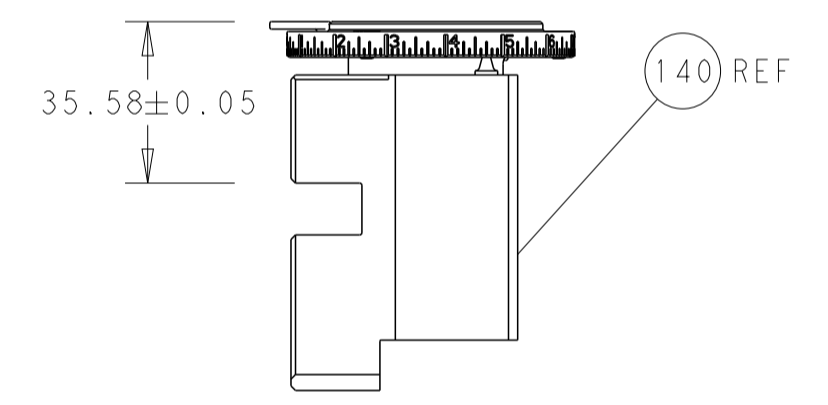
## PNEUMATIC



## FEED SPRING SETTING POSITION (SHOWN FROM REAR SIDE)

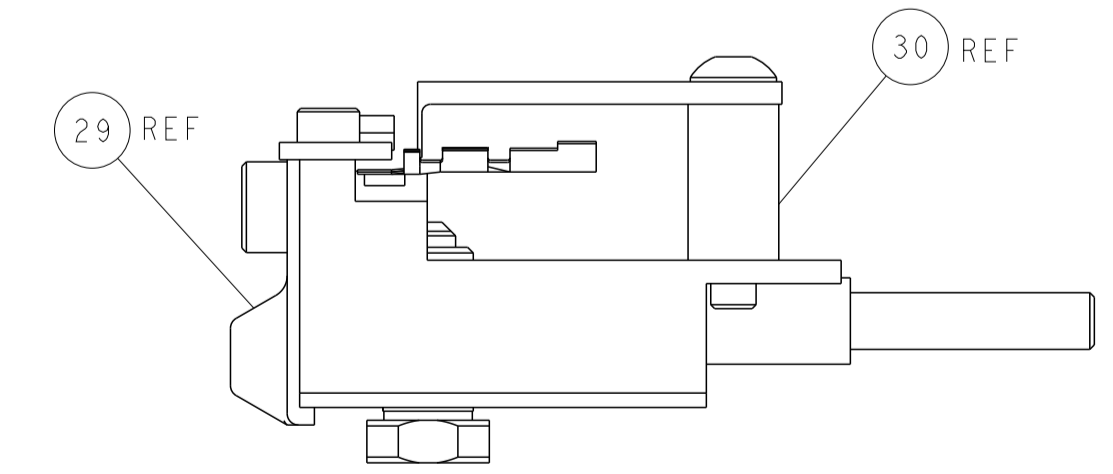


TERMINAL SUPPORT LOCATION



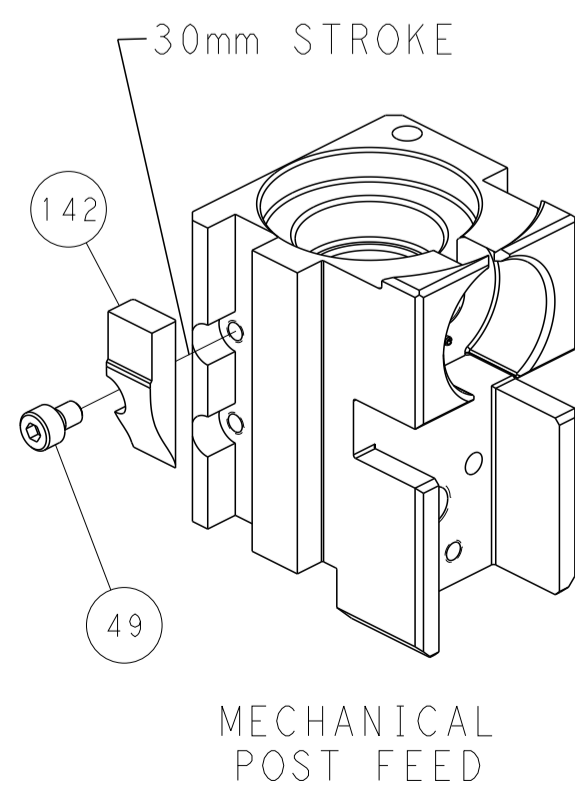
RAM SET-UP

ITEM 30 LOCATED AT  
FRONT HOLES

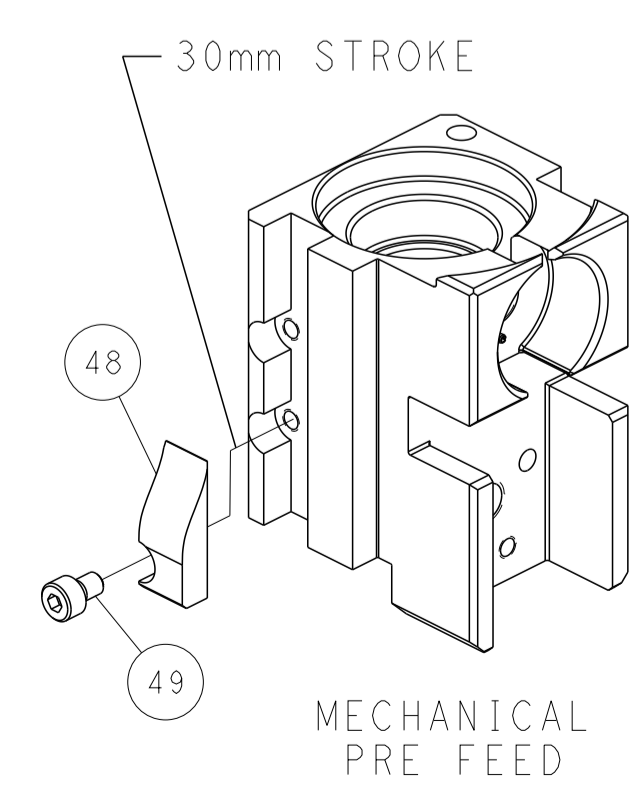


FEED TRACK POSITION  
GUIDE BY INS. BARREL

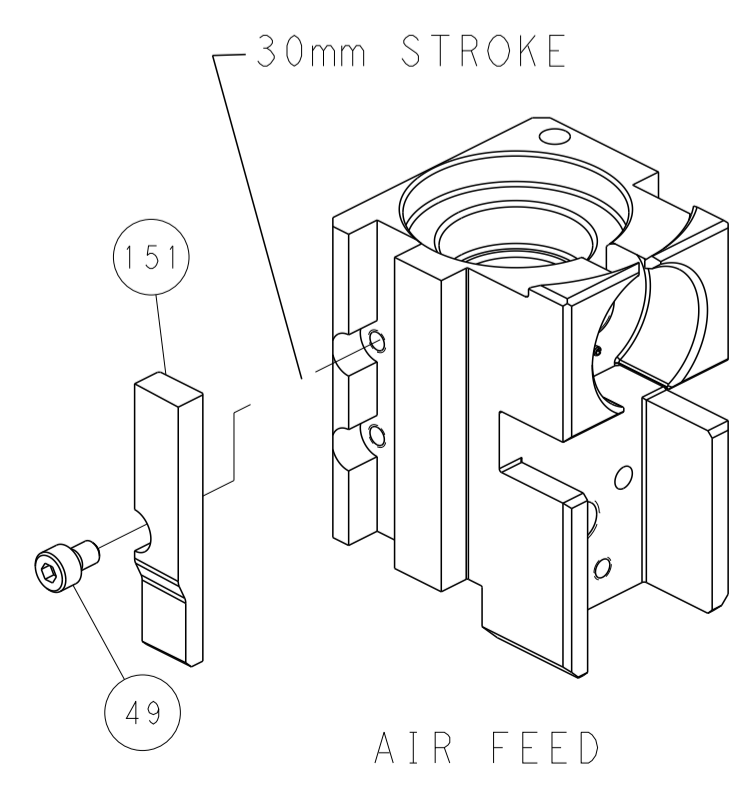
# CAM POSITIONS



MECHANICAL  
POST FEED



MECHANICAL  
PRE FEED



AIR FEED

**PACIFIC VERSION**  
 Shown on sheets 3 of 4 & 4 of 4  
 (Atlantic version shown on sheets 1 of 4 & 2 of 4)

DIMENSIONS:		TOLERANCES UNLESS OTHERWISE SPECIFIED:		DWN Y. YIN 20AUG2012		TE Connectivity	
mm	0 PLC ±	1 PLC ±	2 PLC ±	3 PLC ±	4 PLC ±	Harrisburg, PA 17105-3608	
MATERIAL:		FINISH:		CHK G. BAILEY 20AUG2012		NAME	
				S. XI 20AUG2012		Ocean Side Feed	
				APVD		Applicator	
				PRODUCT SPEC		SIZE CAGE CODE DRAWING NO	
				APPLICATION SPEC		A1 00779 C=2151740	
				WEIGHT		RESTRICTED TO	
				Customer Accessible Production Drawing		SCALE 1:2 SHEET 4 OF 4 REV B	