



**Electric Motors
& Specialties, Inc.**

**ESP High Efficiency
Shaded Pole**



ESP-OL50

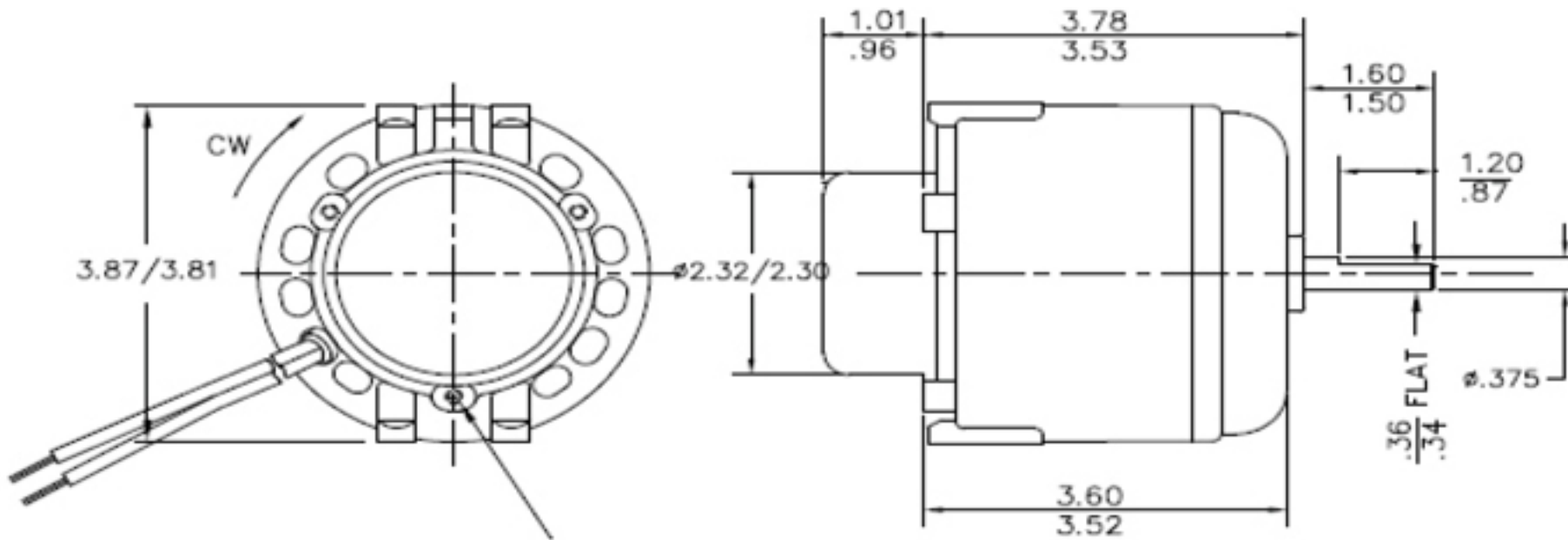
High Efficiency Shaded Pole

General Description

The ESP line of shaded pole fan motors is the ultimate in long life design. These 4-pole, cast-iron unit bearing fan motors have been the standard of dependability and durability in light commercial refrigeration for many years.

Features

- + Cast iron bearing and thick film lubrication system for long life and dependability
- + Cool running, quiet operation
- + Meets UL and Canadian Standards for safety



3 #8-36 TAPPED HOLES
SPACED 120° APART ON A
2.813 DIA. CENTER LINE.

<u>Model</u>	<u>Output</u>	<u>Volts</u>	<u>RPM</u>	<u>Amps</u>	<u>Frequency</u>	<u>Insulation</u>	<u>Protection</u>	<u>Recognitions</u>
ESP-OL50	50-watt	115	1500	1.7	60 HZ	Class A	TP	UL / cUL
ESP-OL50	50-watt	230	1500	0.85	60 HZ	Class A	TP	UL / cUL



**Electric Motors
& Specialties, Inc.**